

# **(EN) Assembly instructions**

**(DE) Montageanleitung**

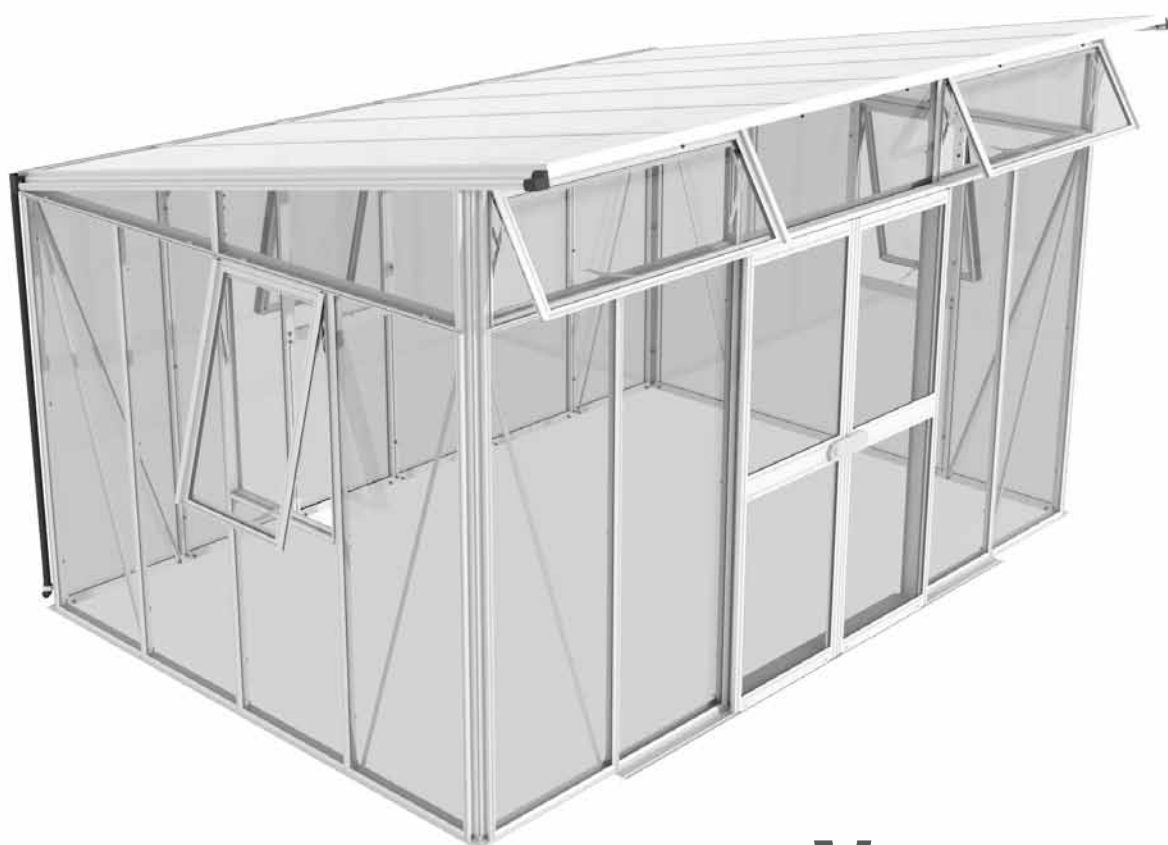
**(NL) Montage Instructies**

**(IT) Istruzioni di Montaggio**

**(FR) Notice de Montage**

**(DA) Montagevejledning**

**(SL) Navodila za Montažo**



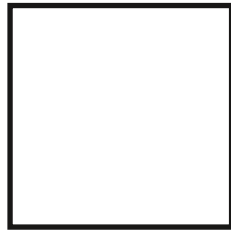
**Vitavia**  
- makes living grow

---

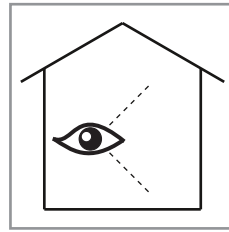
**VM0042-A**  
**7800, 11500**



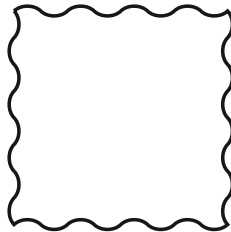
	<b>Contents Inhalt Indhold</b>	<b>Page Seite Side</b>
	Table of Contents Inhaltsverzeichnis Indholdsfortegnelse	3
	Symbols Symbole Symboler	4 - 5
	Carton part lists Kartonteilelisten Liste over indhold i kartonner	6 - 15
	EN Safety Warning DE Sicherheitsvorkehrungen DA Sikkerhedsforskrifter EN,DE,FR,NL,DA,IT,SL,	16 - 43
<b>S0</b>	Foundation Fundament Fundament	44 - 45
<b>S1</b>	Back Element Rückwand Bagside	46 - 48
<b>S2</b>	Side Element L Giebelende L Sideelementer L	50 - 51
<b>S3</b>	Side Elements R Giebelende R Sideelementer R	52 - 53
<b>S4</b>	Connecting the Separate Elements / Roof Zusammenbau der einzelnen Elemente / Dach Samling af de enkelte Elementer / Tag	54 - 57
<b>S5</b>	Windows Fenster Vinduer	58 - 61
<b>S6</b>	Sliding Doors Schiebetüren Skydedøre	62 - 65
<b>S7</b>	Glazing Verglasung Glasering	66 - 71
<b>S8</b>	Window assembly Montage des Fensters Vinduesmontering	72 - 75
<b>S9</b>	Final Steps Letzte Schritte Sidste trin	76 - 77



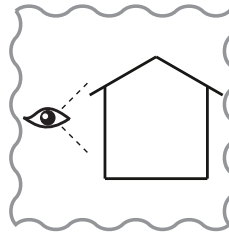
=



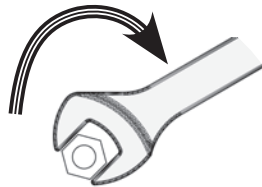
View from Inside  
Innenansicht  
Set indefra



=



View from Outside  
Außenansicht  
Set udefra



1002  
≤ 3Nm



3002  
7053  
≤ 8Nm

Max. tightening Torque  
Max. Drehmoment  
Maksimalt moment



Instructions  
Anleitung  
Instruktion



Look closely / go to  
Detail beachten / Siehe auch  
Observer nøje / Se også



Mirror of  
Spiegelung von  
Spejl af



Not included in product!  
Nicht im Lieferumfang enthalten!  
Indgår ikke i leverancen!



View from  
Blickrichtung  
Set fra



Outside  
Außenseite  
Uden for



Important!  
Achtung!  
Vigtigt!



Protected location!  
Windgeschützter Standort!  
Beskyttet placering!



Recycle  
Recyclbar  
Genbrugeligt



Important Tip  
Hinweis  
Vigtigt Tip



High Wind  
Bei starkem Wind  
Vind



Adjust by Hand  
Ohne Werkzeug  
Brug hænder



x Persons required  
x Erforderliche Personen  
x Personer, der kræves



Exactly square  
Absolut rechtwinklig  
Nøjagtig ret vinklet



Step for later  
Späterer Schritt  
Vises senere



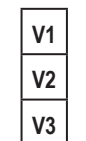
Alternative options  
Alternativen  
Alternative muligheder



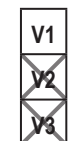
Not required  
nicht benötigt  
Ikke nødvendig



Incorrect!  
Falsch!  
Forkert!



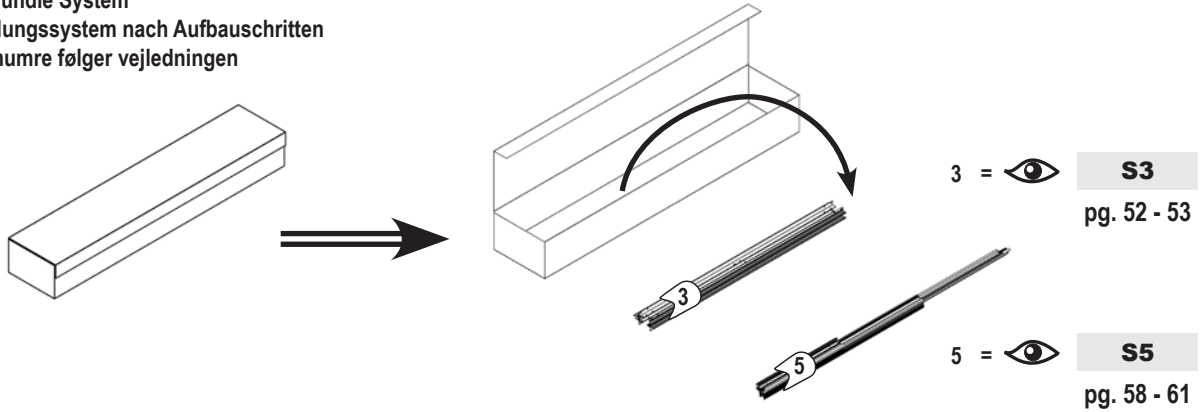
Version 1 to 3  
Variante 1 bis 3  
Version 1 til 3



Version 1 only  
Nur Variante 1  
Kun version 1



**Pack Bundle System**  
**Bündelungssystem nach Aufbausritten**  
**Bundnumre følger vejledningn**



**Glazing Options**  
**Verglasung möglichkeiten**  
**Forskellige glas muligheder**

**PC** Polycarbonate  
 Hohlkammerplatten  
 Kanal plader i polykarbonat

**FPG** Full Pane Glass  
 Ganze Scheiben  
 Hele baner

**ASP** Aluminium Sandwich Panels  
 Alu-Sandwich-Paneelen  
 Sandwichpaneler af aluminium

**SPG** Split Pane Glass  
 Klinkerverglasung  
 Delt glas

**FRG** Frosted Pane Glass  
 Nörpelglas  
 Uigennemstigt glas



Persons required.



Important!



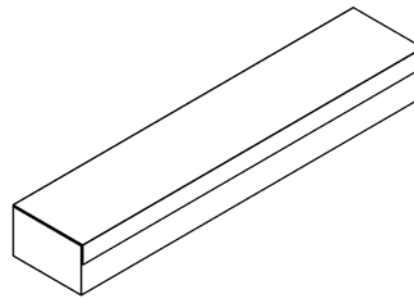
Go to



Not included in product!

**VM0042-A** = 8x  
7800

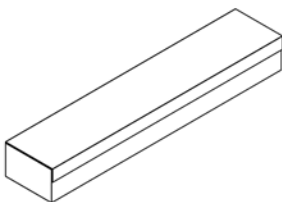
**VM0042-A** = 9x  
11500



Model: VM0042-A			
		7800	11500
C1	APH, C1	1x	1x
C2	APH,H2L,HEL, C2	1x	1x
C3	APH, C3	1x	1x
C4	APH, C4	1x	1x
C5	APH, C5	1x	1x
6/8	APH, 6/8 - 7800	1x	-
6/9	APH, 6/9 - 11500	-	1x
7/9	APH, 7/9 - 11500	-	1x
7/8	APH, 7/8 - 7800	1x	-
8/9	APH, 8/9 - 11500	-	1x
8/8	APH, 8/8 - 7800	1x	-
9/9	APH, 9/9 - 11500	-	1x
		<b>8x</b>	<b>9x</b>



+



**G1**

**PC & FPG**

pg. 14

**G2**

**ASP**

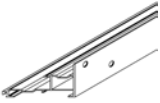
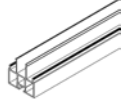


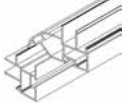
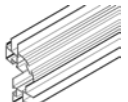
pg. 15

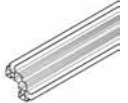
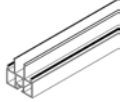




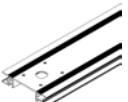
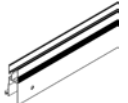

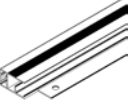
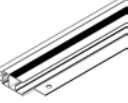



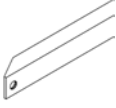
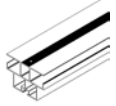
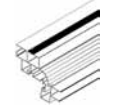
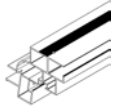


Alternative options




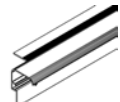
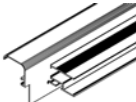
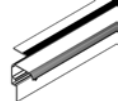
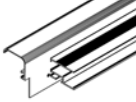
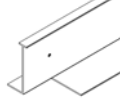
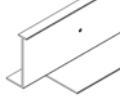

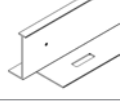
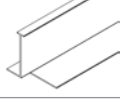


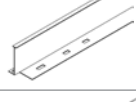
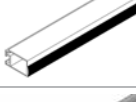

Go to



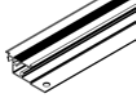
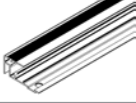
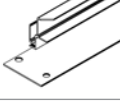

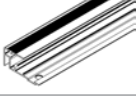
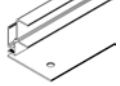
APH, C1				
Item No.	Part	Sect. Ref.	Size mm	Quantity
7304		1 2 3 4a	2659	2x
7311		1 2 3 4b	1801	6x
7319		2	2547	1x
7320		3	2547	1x
7437		2	2283	1x
7438		3	2283	1x


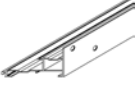



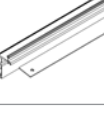




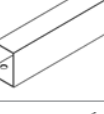
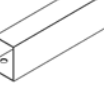
APH,H2L,HEL, C2				
Item No.	Part	Sect. Ref.	Size mm	Quantity
7310		1	1801	2x
7311		1 2 3 4b	1801	5x
7346		4b	224.5	1x
7347		4b	224.5	1x
7352		6a	653	1x
7353		6a	653	1x
7354		6a	574	1x
7355		6a	574	2x
7356		6a	1828	2x
7357		6a	1828	1x
7358		6a	1828	1x
7384		6a	574	1x


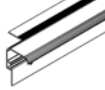
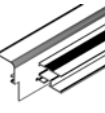
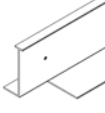
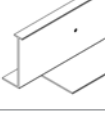

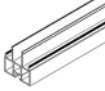




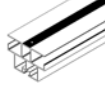
APH, C3				
Item No.	Part	Sect. Ref.	Size mm	Quantity
7312		1 2 3 4a	1915	4x
7426		4b	2931,5	3x
7432		4b	2931,5	1x
7433		4b	2931,5	1x
7442		7b	2929	1x
7443		7b	2929	1x

APH, C4				
Item No.	Part	Sect. Ref.	Size mm	Quantity
1415		9	1720	2x
7312		1 2 3 4a	1915	4x
7372		7b	1819	11x
7373		7b	1819	8x
7379		7b	240	1x
7380		7b	240	1x
7381		7b	618	14x
7439		4b	463,5	1x
7440		7b	466,5	2x
7441		7b	466,5	1x
7470		7b	461	1x
7471		7b	461	1x


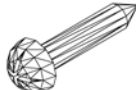











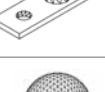
APH, C5				
Item No.	Part	Sect. Ref.	Size mm	Quantity
7090		5a 5b	324	4x
7182		5b	434	1x
7183		5b	434	1x
7184		5a	892	3x
7185		5a	892	3x
7188		8b	463,5	1x
7189		8b	463,5	1x
7190		8a 8b	407	8x
7197		8a	908	3x
7198		8a	908	3x
7351		6b	2548	1x
7359		9	2548	1x
7361		6b	1796	2x
7362		6b	1222	1x
7363		6b	1217	1x

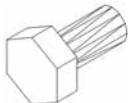

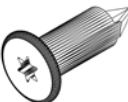


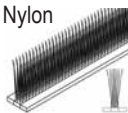
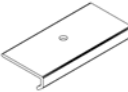
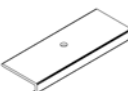






APH, C5				
Item No.	Part	Sect. Ref.	Size mm	Quantity
7424		7a	592	4x
7425		7a	592	4x
7450		5a	557	3x
7451		5a	557	3x
7452		8a	663	3x
7460		5b	1186	1x
7461		5b	1186	1x
7462		8b	1218	1x


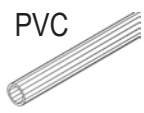
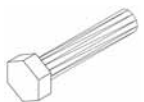

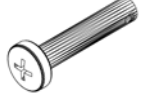

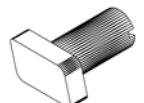



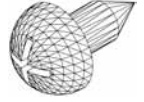
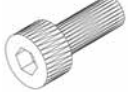

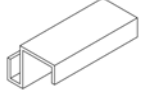
APH, 6/8 7800 & APH, 6/9 11500					
Item No.	Part	Sect. Ref.	Size mm	Quantity	
				7800	11500
7304		1 2 3 4a	2659	2x	-
7306		1 4a	3917	-	2x
7314		1	2586	1x	-
7316		1	3844	-	1x
7324		7a	2586	1x	-
7326		7a	3844	-	1x
7434		4a	2550	1x	-
7436		4a	3808	-	1x
7444		4a	2546	1x	-
7446		4a	3804	-	1x
7447		7a	2550	1x	-
7449		7a	3808	-	1x




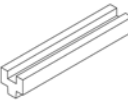

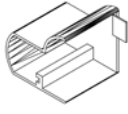
APH, 7/9 11500					
Item No.	Part	Sect. Ref.	Size mm	Quantity	
				7800	11500
7090		5a 5b	324	-	1x
7182		5b	434	-	1x
7183		5b	434	-	1x
7188		8b	463,5	-	1x
7189		8b	463,5	-	1x
7190		8a 8b	407	-	2x
7311		1 2 3 4b	1801	-	4x
7372		7b	1819	-	4x
7381		7b	618	-	4x
7424		7a	592	-	2x
7425		7a	592	-	2x
7426		4b	2931,5	-	2x




APH, 7/9 11500					
Item No.	Part	Sect. Ref.	Size mm	Quantity	
				7800	11500
7439		4b	463,5	-	1x
7441		7b	466,5	-	1x
7460		5b	1186	-	1x
7461		5b	1186	-	1x
7462		8b	1218	-	1x

APH, 7/8 7800 & APH, 8/9 11500					
Item No.	Part	Sect. Ref.	Size mm	Quantity	
				7800	11500
1002		9	M6	2x	2x
1003		5b	3.5 x 16	2x	4x
1006		9	3.5 x 6	2x	2x
1402		9	36	2x	2x
1403		9	20	2x	2x
1405		9	15	2x	2x
1409		9	20	2x	2x
1412		9	M6 x 22	2x	2x
2002		6b	4.2 x 38	2x	2x
2003		6b	Ø 8	2x	2x
2271		6a	37	4x	4x
3002		9	M6	2x	2x
6056		8a 8b	47	8x	10x
6070		5a 5b 9	Ø 13.5	260x	315x

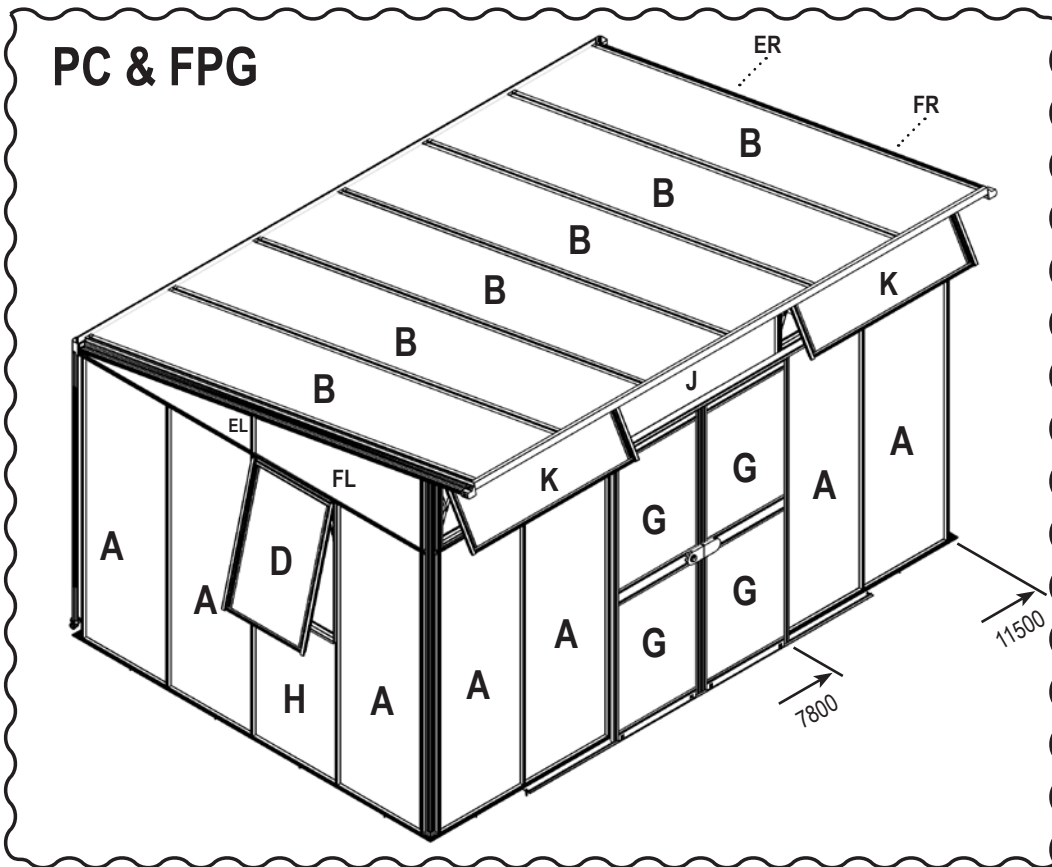
APH, 7/8 7800 & APH, 8/9 11500					
Item No.	Part	Sect. Ref.	Size mm	Quantity	
				7800	11500
7052		1-9	M6x12	120x	143x
7053		1-9	M6	277x	333x
7088		8a 8b	4.2 x 13	50x	62x
7289		1, 2 3, 4a 7b	M6 x 42	115x	138x
7331		4b	218	3x	5x
7332	Nylon 	6a	9000 x 10	1x	1x
7342		7a	45	2x	2x
7343		7a	56	3x	5x
7348		4b	93.5	4x	4x
7349		5a 7a	3.9 x 10	16x	20x
7350		6a	20	4x	4x
7360		6a	M6	4x	4x
7364		6a	Ø 32	4x	4x
7370		9	71.35	1x	1x

APH, 7/8 7800 & APH, 8/9 11500					
Item No.	Part	Sect. Ref.	Size mm	Quantity	
				7800	11500
7371		9	71.35	1x	1x
7382	PVC 	7b	618	14x	18x
7390		6b	M6 x 30	4x	4x
7392		6a	Ø 5/3	8x	8x
7393		6a	M6 x 31	4x	4x
7395		4b	Ø 12/6.5	5x	7x
7399		4a 4b 8a 8b	M6 x 12	38x	48x
7400		6a	123	1x	1x
7401		6a	123	1x	1x
7402		6a	60	1x	1x
7403		8a 8b	4.2 x 10	16x	20x
7404		6a	M4 x 10	8x	8x
7405		6a	M4 x 25	4x	4x
7407		7b	30	14x	18x

APH, 7/8 7800 & APH, 8/9 11500					
Item No.	Part	Sect. Ref.	Size mm	Quantity	
				7800	11500
7409		7b	30	10x	10x
7411		4a	3.8 x 80	16x	20x
7413		5a 5b	50	5x	7x
7421		4a	Ø6 X 80	16x	20x
7457	Nylon 	5a 5b	9300 x 15 11500 x 15	1x -	- 1x
7467		7b	50	4x	4x
7468		7a	52	1x	1x
7469		7a	52	1x	1x
7497	Acrylic 	7a	55000	1x	1x

APH, 8/8 7800 & APH, 9/9 11500					
Item No.	Part	Sect. Ref.	Size mm	Quantity	
				7800	11500
6090	PVC 	7b	75000 93000	1x -	- 1x
7396	Silicon 	1 2 3 4a	11000 13500	1x -	- 1x
7420	PVC 	5a 5b 6a	24000 27200	1x -	- 1x

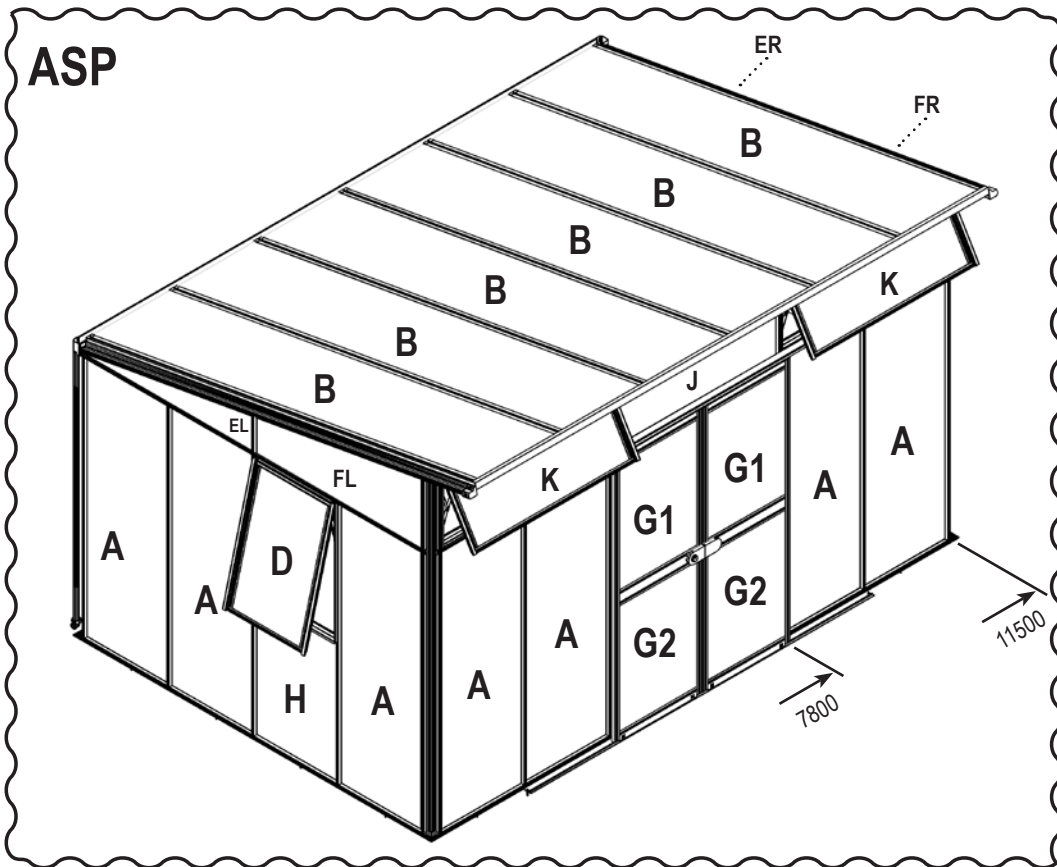
G1



7.1	FPG		PC				QUANTITY / MODEL	
	≤ 4 MM		10 MM		16 MM		7800	11500
	ART. No.	MM	ART. No.	MM	ART. No.	MM		
A	367850	610 x 1816	40000893	610 x 1816	40000894	610 x 1816	11x	15x
B	-	-	40000856	610 x 2926	-	-	4x	6x
D	40000657	555 x 870 x 4	369581	555 x 870	40000695	519 x 852	3x	3x
EL	367851	1239 x 230/11.5	40000895	1239 x 230/11.5	40000896	1239 x 230/11.5	1x	1x
ER			40000897		40000898		1x	1x
FL	367852	1239 x 452/233.5	40000899	1239 x 452/233.5	40000901	1239 x 452/233.5	1x	1x
FR			40000900		40000902		1x	1x
G	367853	619 x 843 x 4	369586	619 x 843	369596	595 x 823	4x	4x
H	40000658	610 x 895	40000696	610 x 895	40000697	610 x 895	3x	3x
J	40000854	1239 x 475	40000857	1239 x 475	40000859	1239 x 475	1x	1x
K	40000855	1182 x 411 x 4	40000858	1182 x 411	40000860	1149 x 393	1x	2x
TOTAL							31x	38x

Alternative option

G2



7.1	ASP		FPG		PC		QUANTITY / MODEL	
	≤ 4 mm		≤ 4 mm		10 mm		7800	11500
	ART. No.	MM	ART. No.	MM	ART. No.	MM (±3mm)		
A	40006173	610 x 1816	-	-	-	-	11x	15x
B	-	-	-	-	40006188	610 x 2926	4x	6x
D	-	-	40000657	555 x 870 x 4	-	-	3x	3x
EL	-	-	-	-	40000895	1239 x 230/11.5	1x	1x
ER	-	-	-	-	40000897		1x	1x
FL	-	-	-	-	40000899	1239 x 452/233.5	1x	1x
FR	-	-	-	-	40000900		1x	1x
G1	-	-	367853	619 x 843 x 4	-	-	2x	2x
G2	40006174	619 x 843 x 4	-	-	-	-	2x	2x
H	40006175	610 x 895	-	-	-	-	2x	2x
J	-	-	-	-	-	-	3x	3x
K	-	-	-	-	40000858	1182 x 411	1x	2x
TOTAL							31x	38x

Alternative option

# Safety Warning

- PLEASE READ THESE INSTRUCTIONS CAREFULLY AND COMPLETELY BEFORE ASSEMBLING YOUR GREENHOUSE.**
- Sharp edges and corners can cause injury. Always wear protective glasses, gloves, shoes and headgear when handling the aluminium profiles, glass and polycarbonate sheets. Broken glass is a safety hazard – always clear up immediately and dispose of with care.
- The product you have purchased is intended only for growing plants and should only be used for this purpose. When used for other purposes we will take no responsibility.
- It is recommended that this greenhouse is assembled by two people.
- When using a step ladder one person should steady it at all times whilst the other works.
- Should you encounter difficulties constructing this house, or in fitting the glass or polycarbonate sheets, please contact your retailer  
– **do not use force!**
- The greenhouse must always be anchored.

## Assembly Instructions

### SITE SELECTION

Always try to select a sunny location, sheltered from the wind as much as possible.

### IMPORTANT

Before assembling your new greenhouse, please check that all parts in the provided list are included. Please take each bundle out of the packaging in order to identify the parts better.

It is important that the opened bundles do not get mixed with one another.

If something is missing please contact your retailer.

**Note** - The UV-resistant side of the polycarbonate panes is indicated by a plastic film or printing at the edge. **This side must face outside.**

In order to seal the greenhouse effectively it is suggested that you apply neutral silicone as shown in diagrams (4b.7), (4b.8), (7a.6) and (7a.8). Silicone is provided for this purpose.

### NECESSARY TOOLS

Screw drivers (Normal and Crosshead PH2)  
Rubber Hammer  
2 x 1.8m ladder  
10 mm socket spanner or wrench  
10 mm combination spanner  
Craft knife  
Measuring stick  
Spirit level  
Accu-drill with adjustable torque

### MAINTENANCE

The greenhouse should be thoroughly washed with a gentle detergent occasionally. Please check that the detergent used does not react aggressively with aluminium or plastic. Ensure that the door tracks are cleaned

regularly to avoid a build-up of debris.

### 0. FOUNDATION

**Important!** The foundation must be exactly right angular and level. To achieve this you will require a spirit level and a right angle.

**Note** - If the distance between the two opposite corners is the same then the foundation is right angular.

For the erection of this greenhouse we suggest a solid foundation constructed from concrete, brickwork or stonework. If you have no experience with the construction of such a foundation please consult a company specialising in this work. Materials and tools for the preparation of the suggested foundation are not provided.

The door can be assembled on any side of the greenhouse. Please note the desired door position and prepare the foundation as shown, V1 - V4.

Foundations must extend down below the frost level.

**Diagrams in a single frame show the view from inside the greenhouse. Those enclosed in a wavy frame show the view from outside the greenhouse.**

### 1. BACK ELEMENT

**Note** - If the door is to be assembled on this side of the house remove one of the middle bars (7311)⓪.

Push seal (7396) into the sill bar (7304 / 7306) and cut to fit both ends (1.1) (1.2).

Lay all of the parts, according to the model, on the floor and loosely connect by inserting bolts (7052) into the bolt channels. Take care that the eave angles (7314 / 7316) are pushed into the corner of both corner bars

(7310) (1.3) (1.4) and that corner bars (7310) and middle bars (7311) sit correctly on the assembly edge on the eave angle (1.9) (1.12).

Assemble diagonal bars (7312) on both sides (1.3) (1.4) (1.10) (1.11). At the sill loosely attach using bolt (7289).

### 2. PLAIN GABLE END L

**Note** - If the door is to be assembled on this side of the house remove middle bar (7311)⓪.

Push seal (7396) into sill bar (7304) and cut to fit the ends (2.1) (2.2).

Lay all of the parts on the floor and loosely connect by inserting bolts (7052) into the bolt channels.

Assemble end bar (7319) into the recess in corner bar (7437) (2.3) (2.4) and then (7437) onto sill bar (7304) (2.5) (2.6).

Assemble middle bars (7311) (2.7) (2.8).

Assemble diagonal bar (7312) (2.3) (2.4) (2.9) (2.10). At the sill loosely attach using bolt (7289).

### 3. PLAIN GABLE END R

**Note** - If the door is to be assembled on this side of the house remove middle bar (7311)⓪.

Assemble all parts as in Section 2.

### 4a. CONNECTING THE ELEMENTS

Push seal (7396) into the sill bar (7304 / 7306) and cut to fit both ends (4a.1) (4a.2).

To connect the previously prepared sections, loosely prepare bolts (7399) and nuts (7053) in sill bars (7304) as shown in (4a.3). Lower corner bars (7310) fitting the bolt heads of (7052) into the bolt channels of (7310) (4a.4).

Assemble diagonal bars (7312) on both sides (4a.5). At the sill loosely attach using bolt (7289). (7289) will be removed during glazing (section 7b).

Using bolts (7399) and nuts (7053), connect end bars (7319) and (7320) to corner bars (7310) ensuring they are pushed against the eave angle bar (4a.6) (4a.7).

Loosely prepare bolts (7399) and nuts (7053) in sill bars (7304 / 7306) as shown in (4a.3). Lower corner bars (7437 / 7438), fitting the bolt heads of (7052) into the bolt channels of (7437 / 7438) (4a.4).

Assemble front bar (7444 / 7446) into the recess in corner bars (7337 / 7438) using bolts (7399) and nuts (7053) (4a.8) (4a.9).

Assemble ridge bar (7434 / 7436) onto the ends of corner bars (7437 / 7438) (4a.10) (4a.11)

Assemble diagonal bars (7312) in the front. At the sill loosely attach using bolt (7289).

Position the assembled frame onto the prepared foundation.  
Check that the house is level and drill Ø6 holes through the prepared holes in (7304) and (7306).  
Insert wall plugs (7421) into the holes and connect loosely to the foundation using screws (7411) (4a.12).

#### 4b. ROOF

Loosely connect middle bars (7311) between sill (7304 / 7306) and horizontal bar (7444 / 7446) (4b.1) (4b.2).

Loosely connect middle bars (7439) between ridge (7434 / 7436) and horizontal bar (7444 / 7446) (4b.2).

Assemble roof corner bars (7432) (7433) onto the eave angle (4b.3) (4b.4). Ensure that the roof corner bars sit correctly on the assembly edge on the eave angle (4b.9) and that the small holes on the outside of (7432 / 7433) are at the eave end (4b.3).

Connect the roof corner bars (7432) (7433) to the ridge (7434 / 7436) and to the front corner bars (7437 / 7438) using plate (7348) (4b.6). Assemble side middle bars (7346) and (7347) between horizontal bars (7319 / 7320) and the roof corner bars (7432 / 7433) using plate (7348) (4b.5).

Insert bolts (7052) into the bolt channels in roof middle bars (7426) at the eave and lower onto the eave angle (7314 / 7316) using washer seal (7395) and nut (7053) (4b.7) (4b.8). Ensure that (7426) sit correctly on the assembly edge on the eave angle (4b.9) and that the small hole on the outside of (7426) is at the eave end.

Insert (7052) into the bolt channel in (7426) at the ridge and connect onto ridge (7434 / 7436) (4b.10) .

Adjust the frame until it is completely right angular and tighten all screws (7411) and (7412) and nuts (7053). **Please do not over tighten.**

Assemble corner braces (7331) between each side middle bar (7311) and roof middle bar (7426) by inserting cropped head bolts (7399) into the bolt channels (4b.11) (4b.12).

#### 5a. SIDE WINDOW

Connect window bottom bar (7451) to side bars (7184) and (7185) (5a.2) (5a.3).

Slide pane D into the glazing channels (5a.5) in the assembled parts (5a.4) (5a.5).

Loosely prepare (7052) and (7053) in window top bar (7450) and slide onto (7184) and (7185) fitting the bolt heads of (7052) into the bolt channels and the glazing into the glazing channels (5a.6) (5a.7).

**Note** - If you have chosen 4mm glass glazing, cut glazing seal (7420) to fit and press into the space in the glazing channels on the inside of the window to fix the glass in place (5a.8) (5a.9).

Check that the side window is right angular before tightening all bolts.  
**Please do not over tighten.**

Insert brush seal (7457) using one continuous length into the guides in the top and side bars (7185) (7450) (7184) (5a.10) and cut to length.  
**Note** - If the brush seal (7457) protrudes along the top edge of (7450) when the window is closed, (see section 8a), it can be trimmed shorter (5a.10).

Connect window opener (7090) to (7451) using spacer (7413) and two screws (7349) (5a.11) (5a.12).

Connect plastic nut caps (6070) by pushing them onto all nuts (7053) (5a.13).

#### 5b. TOP WINDOW

Assemble all parts as in Section 5a.

#### 6a. SLIDING DOORS

Insert brush seal (7332) into the guides in the door bars (7352) (7353) (7355) (7356) (7357) (6a.2) and cut to length.

Loosely assemble wheels (7364), using spacers (7392) on each side of the wheel, bolt (7393), jump clip (7350) and lock nut (7360), onto door bottom bars (7355) (6a.3).

Connect (7355) with door side bars (7357) or (7358) (6a.3) (6a.7a).

Assemble door middle bars (7354) or (7384) with lock parts (7400), (7401) and (7402) using bolts (7404). Connect to door side bars (7357)

or (7358) using bolts (7052), nuts (7053) and bolts (7405) (6a.4) (6a.5) (6a.8). **Do not over tighten bolts (7404) and (7405).**

Connect door top bars (7352) or (7353) to door side bars (7357) or (7358) (6a.6) (6a.7b).

Slide panes G into the glazing channels in the assembled parts (6a.9).

Loosely prepare (7052) and (7053) in door side bars (7356) and slide onto (7355), (7354) or (7384) and (7352) or (7353) fitting the bolt heads of (7052) into the bolt channels and the glazing into the glazing channels (6a.9) (6a.10). Insert door guides (2271) into the top of both doors (6a.6).

**Note** - If you have chosen 4mm glass glazing, cut glazing seal (7420) to fit and press into the space in the glazing channels on the inside of the door to fix the glass in place (6a.11).

#### 6b. DOOR FRAME AND STEP

Assemble door support (7362) onto the sill bar in the door opening using bolts (7390) (6b.1) (6b.2).

Tilt door wheel track (7351) to fit into the sill bar and lower into position (6b.3). Centre on the door opening and connect to the foundation using wall plug (2003) and screw (2002) (6b.4).

Connect door side frames (7361) to middle bars (7311). When in place connect to the top using bolt (7052) and nut (7053) (6b.5) - (6b.8).

At the bottom insert bolt (7052) into the channel on both sides of door step (7363) (6b.9) and slide the door step into place (6b.10) (6b.11).

#### 7. GLAZING OVERVIEW

Please sort the glazing according to your model size and glazing type before beginning. If you have chosen glass then panes E and F are identical on both sides.

**Note** - The UV-resistant side of the polycarbonate sheets is indicated by a plastic film or printing at the edge. **This side must face outside.** Loosen the film approximately 2cm at all edges of each pane before assembly. When the assembly of all sheets is finished completely remove all film from the sheets.

#### 7a. ROOF GLAZING / EAVE

Slide the roof glazing into the guides in the roof profiles (7a.2) (7a.3). When two adjacent sheets are in place, screw glazing stops (7342) or (7343) onto the roof profile between them using the prepared holes and self-drilling screws (7349) (7a.4) (7a.5). The sheets should

slide down to rest against these stops.

Angle the eave bar (7324 / 7326) into the eave angle (7a.6) and turn it down to rest against the eave angle. Connect it to the eave angle using bolts (7052) from outside and nuts (7053) inside the house (7a.7).

Insert glazing spacer (7424) over the inside edge of the eave angle (7a.9) and glazing spacer (7425) over the outside edge of the ridge bar (7a.10). At the ridge fix (7425) in place using screw (7349) (7a.10).

Assemble glazing end cover (7447 / 7449) at the ridge using bolts (7052) inserted into the bolt channels in the roof bars, and nuts (7053) (7a.10). At the same time position the plastic end caps (7468) and (7469) so that they cover the open ends of roof corner bars (7432 / 7433) and fit behind the end cover (7447 / 7449) (7a.10) (7a.11).

### 7b. SIDE GLAZING

Please decide at this point in which sections you will assemble the three side windows.

**Note:** These cannot be assembled into a corner section, beside each other or in sections adjacent to the door entrance. Glazing panes H can then be assembled into these sections instead of glazing pane A.

Press glazing seal (7382) into the top groove in each (7381) and cut to fit both ends.

If glazing with glass / ASP, press glazing seal (6090) onto the aluminium profiles (7b.2) and cut to length. **Note** - On all horizontal glazing guides it is recommended to use smaller lengths of the seal (6090) in the middle of each section. This will allow condensation which collects inside the house to escape.

**Note** - With Polycarbonate the glazing rubber is not required.

Through the positioning of the (7289) bolt head in the different guides in the glazing capping's, it is possible to glaze the greenhouse with ≤ 4 mm, 10 mm or 16 mm panes (7b.2). Prepare bolts (7289) in each prepared hole, (7b.3).

For 10mm glazing prepare 1 spacer (7407), in the middle / top of each pane A (7b.4). Position each glazing pane A or H into the frame and connect the vertical capping's (7372) or (7373) loosely with nuts (7053) (7b.3).

Lift pane A or H 15mm and connect capping's (7381) loosely under the pane (7b.3).

For 10mm glazing prepare 4 spacers (7409) onto each (7319), (7320) and (7444 / 7446) (2 spacers for each pane E, F and J) (7b.5) (7b.6). Position panes E, F and J.

Connect capping's (7442) or (7443) and then (7379) / (7470) or (7380) / (7471) loosely.

**Note** - For polycarbonate glazing insert spacers (7467) into the groove in end caps (7468) or (7469) depending on the thickness, 10mm = one (7467), 16mm = 2 (7467). The capping's (7442) and (7443) will then apply pressure to these holding the end caps (7468) and (7469) in place.

Tighten all nuts. **Please do not over tighten.**

**Note** - The vertical capping's can be best assembled when the top bolt is first inserted into the hole, then the middle and finally the bottom bolt. Ensure that the capping remains in contact with the sill bar.

### 8a. SIDE WINDOW ASSEMBLY

Remove nuts (7053) from the top two bolts holding capping's (7372) in the middle bars (7311) beside the window opening. Loosely prepare (7053) and (7399) in the lower hole in window side frames (7197) and (7198) (8a.1).

Turn window side frames (7197) and (7198) onto middle bars (7311) above glazing pane H (8a.2) and reconnect the top capping nut (7053) (8a.3) (8a.4).

Loosely prepare (7053) and (7399) in the lower hole in window sill bar (7452). Rotate it into position to cover glazing pane H fitting the middle capping bolt into the top hole on both sides of (7452) (8a.5).

Reconnect the middle capping nut (7053) (8a.6).

Using screws (7088) assemble the window hinge (7190) onto the window side frames (7197) and (7198) (8a.7). **Note:** Only connect using the prepared long holes in the hinge.

Assemble the prepared side window (see section 5a) between the two window hinges (7190) using screws (7088). **Note:** Only connect using the prepared long holes in the hinge.

Close the window and ensure that it closes over the sill bar (7452) without contact. The window height can be adjusted using the long holes in hinge (7190) and when correct fixed by inserting extra screws into the other holes.

Connect window latches (6056) onto the sill bar (7452) using screws (7403) (8a.9). Locate them by aligning with the long holes in the window opener (7090) when the window is closed (8a.10).

When the window is closed the window opener (7090) can be latched onto both (6056) to hold the window closed (8a.10).

**Note** - If the brush seal (7457) protrudes along the top edge of (7450) when the window is closed it can be trimmed shorter, see detail (5a.10).

Repeat for the other windows.

### 8b. TOP WINDOW ASSEMBLY

Remove nuts (7053) from the two bolts holding capping's (7440) and (7441) in the corner bar (7437 / 7438) and middle bar (7439) beside the window opening (8b.1).

Turn window side frames (7188) and (7189) onto the prepared bolts (8b.1) (8b.2) and reconnect the capping nuts (7053) (8b.3) (8b.4).

Loosely prepare (7053) and (7399) in the holes in window sill bar (7462). Rotate it into position fitting the head of (7399) into the inside bolt channel of the horizontal bar (7444 / 7446) (8b.5) (8b.6).

Using screws (7088) assemble the window hinge (7190) onto the window side frames (7188) and (7189) (8b.7). **Note:** Only connect using the prepared long holes in the hinge.

Assemble the prepared side window (see section 5b) between the two window hinges (7190) using screws (7088). **Note:** Only connect using the prepared long holes in the hinge.

Close the window and ensure that it closes over the sill bar (7462) without contact. The window height can be adjusted using the long holes in hinge (7190) and when correct fixed by inserting extra screws into the other holes.

Connect window latches (6056) onto the sill bar (7462) using screws (7403) (8b.9). Locate them by aligning with the long holes in the window opener (7090) when the window is closed (8b.10).

When the window is closed the window opener (7090) can be latched onto both (6056) to hold the window closed (8b.10).

**Note** - If the brush seal (7457) protrudes along the top edge of (7460) when the window is closed it can be trimmed shorter, see detail (5b.10).

(11500) Repeat for the other window.

### 9. FINAL STEPS

Insert eave plastic (7370) and (7371) into both ends of the eave bar (7324 / 7326) (9.1) (9.2).

**Note** - It can help to pull the eave bar at the top edge, carefully away from the house so that the opening for the plastic becomes larger.

Insert cropped head bolt (1412) into the bolt channel at the bottom of corner bar (7310) and connect parts (1405) and (1409) with aluminium nut (1002) on both sides (9.3). Fit elbow (1402) onto the bottom of down pipe (1415) (9.6) and then connect this to the eave plastic (7370) or (7371) (9.9). Fit the down

pipe clamp (1403) around the down pipe and connect to (1409) (9.4). Insert screw (1006) to fix the down pipe in place (9.5).

Assemble door track (7359) into the door opening. Connect to (7444 / 7446) by inserting bolts (7052) into the bolt channel on the outside of these bars and connect with nuts (7053) (9.7).

Include at both ends of door track bar (7359) bolt (7052) from outside and nut (3002) inside the door guide to prevent the door from sliding out of the track (9.7) (9.8).

Position the doors by inserting the plastic door guides (2271) into the guide in door track bar (7359) (9.9) (9.10a) and then lower the wheels onto the door track on bar (7351) (9.10b). Hook the door jump clips (7350) under the lip on (7351) and tighten the lock nuts (7360) (9.10b).

Connect plastic nut caps (6070) by pushing them onto all visible nuts (7053) inside the building (9.11).

## FINISHING

If desired, it is possible to further seal the greenhouse at the edges using neutral silicone. Silicone is not included for this purpose.

Place the warning label inside the house.

Please check the tightness of all nuts and bolts two weeks after completing the assembly.

A full range of greenhouse accessories, to help you make the most of this product, is available from your stockist. Please take a look at the possibilities.

## SAFETY NOTICE

Do not climb onto the roof surfaces. There is a danger of falling.

In the event of high wind conditions, close the doors and all vents.

In the event of heavy snowfall, clear the roof of the building or take suitable measures to support the roof. Heat the building in winter.

## COMMENTS

For the complete protection of your new greenhouse, we advise you to include it in your **house insurance**. Please take note of possible building rules relating to the positioning of greenhouses.

Please stick the included greenhouse model label onto door bar (7352) or (7353) after successfully assembling this product. This information is important in the event that replacement parts are later required.

Please keep these assembly instructions in a

safe place, for future reference!

Our policy is one of continuous improvement and we reserve the right to change the specifications without prior notice.

## 1. BITTE LESEN SIE DIESE MONTAGEANLEITUNG VOR BEGINN DES AUFBAUS KOMPLETT DURCH!

- Bei der Handhabung von Glas, Hohlkammerplatten oder Gewächshausteilen sind immer eine Schutzbrille, Handschuhe, Sicherheitsschuhe und ein Kopfschutz zu tragen, da scharfe Kanten zu Verletzungen führen können. Gebrochenes Glas ist ein Sicherheitsrisiko. Beseitigen Sie es mit der gebotenen Vorsicht.
- Das von Ihnen erworbene Gewächshaus ist für die Aufzucht von Pflanzen konstruiert und sollte auch **ausschließlich** dafür genutzt werden. Bei anderweitiger Nutzung ist jegliche Haftung ausgeschlossen.
- Für die Montage dieses Gewächshauses sind zwei Personen erforderlich.
- Bei Benutzung einer Stufenleiter sollte immer eine zweite Person die Leiter sichern.
- Sollten Sie beim Montieren des Hauses oder beim Einsetzen der Verglasung Schwierigkeiten haben, dann setzen Sie sich bitte mit Ihrem Händler in Verbindung – **Wenden Sie keine Gewalt an!**
- Das Gewächshaus muss verankert werden.

## Aufbaubeschreibung

### STANDORTWAHL

Suchen sie den sonnigsten, aber gleichzeitig einen windgeschützten Platz aus.

### WICHTIG

Bevor Sie mit der Montage Ihres Gewächshauses beginnen, überprüfen Sie, ob alle in der Liste angegebenen Teile vorhanden sind. Nehmen Sie die einzelnen Bündel aus der Verpackung, um sie besser identifizieren zu können. Es ist wichtig, dass die geöffneten Bündel nicht durcheinander geraten. Sollte trotz sorgfältigster Prüfung etwas fehlen, setzen Sie sich bitte mit Ihrem Händler in Verbindung.

**Achtung** – Die UV-beständige Seite der Hohlkammerplatten ist durch eine Plastikfolie oder einen gedruckten Hinweis an den Kanten gekennzeichnet. **Diese Seite muss nach außen zeigen!**

Zur gründlichen Abdichtung des Gewächshauses wird empfohlen, neutral vernetzendes Silikon, wie in den Abbildungen (4b.7), (4b.8), (7a.6) und (7a.8) gezeigt, zu verwenden. Silikon ist beigegefügt.

### BENÖTIGTE WERKZEUGE

Schraubendreher (Schlitz und Kreuzschlitz PH2)

Gummihammer

2 Leitern (1.80 m)

Schraubenschlüssel 10 mm

Ring-Gabelschlüssel

Messer

Zollstock

Wasserwaage

Akku-Schrauber mit einstellbarem Drehmoment.

### WARTUNG

Das Gewächshaus sollte hin und wieder gründlich mit einer milden, PH-neutralen

Reinigungslösung abgewaschen werden. Das Glas kann mit einem milden Reinigungsmittel gesäubert werden, das weder die Kunststoffteile, noch den Aluminiumrahmen, oder die Glasfederklammern angreift. Reinigen Sie die Türlaufschiene regelmäßig.

### 0. FUNDAMENT

**Wichtig!** Das Fundament muss absolut rechteckig und eben sein. Um das zu erreichen, werden eine Wasserwaage und ein Winkel benötigt.

**Achtung:** Wenn der Abstand zwischen zwei gegenüberliegenden Winkeln gleich ist, dann ist das Fundament rechteckig.

Für den Aufbau dieses Gewächshauses empfehlen wir ein solides Fundament aus Beton, Ziegelsteinen oder Mauerwerk. Wenn Sie mit der Konstruktion eines solchen Fundamentes keine Erfahrung haben, beauftragen Sie besser eine Firma, die auf diese Arbeiten spezialisiert ist. Material und Werkzeug für die Erstellung des empfohlenen Fundamentes sind nicht im Lieferumfang enthalten.

Die Tür kann auf jeder Seite des Gewächshauses montiert werden. Bitte notieren Sie die gewünschte Türposition und bereiten Sie das Fundament wie gezeigt vor, V1 - V4.

Das Fundament muss frostfrei gegründet werden.

**Alle Zeichnungen sind von der Innenseite des Hauses gesehen abgebildet mit Ausnahme der Abbildungen, die in einem gewellten Rahmen dargestellt sind, diese beschreiben die Außenansicht.**

### 1. RÜCKKWAND

**Achtung:** Wenn die Tür auf dieser Seite des Hauses eingesetzt werden soll, Eine

Zwischenprofil (7311)Ⓢ entfernen.

Drücken Sie die Dichtung (7396) in das Bodenprofil (7304 / 7306) und schneiden Sie sie auf Länge (1.1)(1.2).

Alle Teile auf dem Boden auslegen, die Schrauben (7052) in die Schraubenkanäle schieben und lose verschrauben. Achten Sie darauf, dass die Traufenwinkel (7314 / 7316) in die Ecken beider Eckprofile (7310) (1.3) (1.4) gedrückt werden und dass die Eckprofile (7310) und Zwischenprofile (7311) exakt an der Montagekante des Traufenwinkels sitzen (1.9) (1.12).

Die Diagonalprofile (7312) an beiden Seiten montieren (1.3) (1.4) (1.10) (1.11). Am Bodenprofil lose mit Schrauben (7289) befestigen.

### 2. GIEBELENDE L

**Achtung:** Wenn die Tür auf dieser Seite des Hauses eingesetzt werden soll, das Zwischenprofil (7311)Ⓢ entfernen.

Die Dichtung (7396) in das Bodenprofil (7304) drücken und auf Länge schneiden (2.1) (2.2).

Alle Teile auf den Boden legen und lose verschrauben durch Einführen der Schrauben (7052) in die Schraubenkanäle. Das Traufenprofil (7319) an der Aussparung des Eckprofile (7437) befestigen (2.3) (2.4) und dann das Eckprofile (7437) am Bodenprofil (7304) (2.5) (2.6) montieren. Die Zwischenprofile (7311) (2.7) (2.8) am Bodenprofil (7304) und Traufenprofil (7319) (2.9) auf Stoß montieren.

Das Diagonalprofil (7312) (2.5) (2.9) (2.10) befestigen. An der Schwelle lose mit den Schrauben (7289) montieren.

### 3. GIEBELENDE R

**Achtung:** Wenn die Tür auf dieser Seite des Hauses eingesetzt werden soll, das Zwischenprofil (7311)Ⓢ entfernen.

Alle Teile wie in Schritt 2 montieren.

#### 4a. ZUSAMMENBAU DER ELEMENTE

Drücken Sie die Dichtung (7396) in das Bodenprofil (7304 / 7306) und schneiden Sie sie auf Länge (4a.1)(4a.2).

Um die vormontierten Wände miteinander zu verbinden, locker Sie bitte die Schrauben (7399) und Muttern (7053) im Bodenprofil (7304) wie in Abb. (4a.3) dargestellt. An der niedrigeren Eckprofilen führen Sie die Schraubenköpfe in den Schraubenkanal des Profils (7310) ein (4a.4).

Montieren Sie die Diagonalen (7312) an beiden Seiten wie in Abb. (4a.5) dargestellt. Am Boden befestigen Sie die Schraube (7289) nur lose.

Verwenden Sie die Schrauben (7399) und Muttern (7053) um die Profile (7319) mit den Eckprofilen (7310) zu verbinden und stellen Sie sicher, dass sie gegen das sie gegen das Dachprofil drücken (4a.6)(4a.7).

Montieren Sie die Schrauben (7399) und (7053) lose in den Bodenprofilen (7304/7306) wie in Abb. (4a.3) dargestellt. Führen Sie die Schrauben (7053) in die Schraubenkanäle der Profile (7437/7438), wie in Abb. (4a.4), ein.

Befestigen Sie bitte die Frontprofile (7444/7446) in der Aussparung der Eckprofile (7337/7438) und verwenden Sie hierzu die Schrauben (7399) und die Muttern (7053).

Befestigen Sie bitte Das Giebelprofil (7434/7436) auf den Eckprofilen (7437/7438). Siehe Abb. (4a.10)(4a.11).

Befestigen Sie die Diagonalprofile in der Frontseite (7312). Am Bodenprofil ziehen Sie die Schrauben nicht feste an (7289) beim Verglasungsvorgang (7B) müssen diese wieder gelöst werden.

Richten Sie den Rahmen nun auf dem vorbereiteten Fundament aus. Überprüfen Sie, ob das Haus im Lot ist und bohren Sie Ø6 Löcher durch die Vorbereiteten Löcher in (7304) und (7306). Führen Sie die Dübel (7421) ein und verbinden Sie den Rahmen lose auf dem Fundament. Verwenden Sie hierzu die Schrauben (7411) wie in Abb. (4a.12).

#### 4b. DACH

Befestigen Sie nun bitte die Profile (7439) zwischen den Giebelprofilen (7434/7436) und den waagrechten Profilen (7444/7446) wie in Abb. (4b.2).

Befestigen Sie nun bitte die Profile (7439) zwischen den Giebelprofilen (7434/7436) und den waagrechten Profilen (7444/7446) wie in Abb. (4b.2).

Befestigen Sie nun die Dacheckprofile (7432/7433) an den Giebelprofilen (7434/7436) und den Eckprofilen (7437/7438) verwenden Sie hierbei die Eckbleche (7348) Abb. (4b.6) Schrauben Sie die seitlichen Mittelprofile (7346/7347) nun zwischen den Profilen (7319/7320) und den Dacheckprofilen (7432/7433) an. Auch hier verbauen Sie, wie in Abb. (4B.5) dargestellt die Eckbleche (7348).

Führen Sie nun die Schrauben (7052) in die Schraubenkanäle der Zwischenprofile (7426) ein. An der Traufe und weiter unten an dem Traufenwinkel (7314/7316) verwenden Sie Unterlegscheiben (7053) und Muttern (7053) Abb. (4b.7)/(4b.8). Vergewissern Sie sich, dass (7426) korrekt auf der Ecke des Traufenwinkels und passgenau zu dem kleinen Loch auf der Außenseite der Traufe (7426) sitzt (4b.9).

Führen Sie (7052) in den Schraubenkanal (7426) am Giebel ein und verbinden Sie es. (7434/7436) (4b.10).

Überprüfen Sie den Rahmen, ob alles im Winkel ist und falls ja, zeihen Sie alle Schrauben (7411/7412) an.

**WICHTIG: bitte übertreiben Sie die Schrauben nicht!**

Montieren Sie nun die Eckwinkel (7331) zwischen jedes seitliche Mittelprofil (7311) und Dachzwischenprofil (7426). Verwenden Sie hierzu die Hammerkopfschrauben (7399) Abb. (4b.11/4b.12)

#### 5a. SEITENFENSTER

Das untere Fensterprofil (7451) mit den Seitenprofilen (7184) und (7185) verschrauben (5a.2) (5a.3). Scheibe D in die entsprechenden Führungen (5a.5) der montierten Profile schieben (5a.4) (5a.5). (7052) und (7053) lose in das obere Fensterprofil (7450) stecken und auf (7184) und (7185) schieben, wobei die Schraubköpfe von (7052) in die Schraubenkanäle und die Verglasung in die Verglasungskanäle geführt werden müssen (5a.6) (5a.7).

**Achtung:** Wenn Sie 4 mm Verglasung gewählt haben, schneiden Sie die Dichtung (7420) passend und drücken Sie diese in die Verglasungskanäle an der Fensterinnenseite um das Glas zu fixieren (5a.8) (5a.9) Prüfen Sie, ob das Fenster rechtwinklig ist, bevor alle Schrauben fest angezogen werden.

**Die Schrauben müssen fest, aber nicht zu fest angezogen werden.**

Die Bürstendichtung (7457) in fortlaufender Länge oben in die Führungen und Seitenprofile (7185) (7450) (7184) (5a.10) hineinschieben und auf Länge schneiden.

**Achtung:** Wenn die Bürstendichtung (7457)

sich sichtbar verschiebt wenn das Fenster geschlossen wird (siehe Schritt 8a) kann diese gekürzt werden (5a.10).

Den Fensteraufsteller (7090) mittels Abstandsplatte (7413) und zweier Schrauben (7349) montieren (7349) (5a.11) (5a.12). Die Kunststoffkappen (6070) auf alle Schrauben (7053) drücken (5a.13).

#### 5b. OBERFENSTER

Alle Teile wie in Schritt 5a montieren.

#### 6a. SCHIEBETÜREN

Die Bürstendichtung (7332) in die Türführungen (7352) (7353) (7355) (7356) (7357) (6a.2) hineinschieben und auf Länge schneiden.

Die Türlaufrollen (7364) lose auf den unteren Türprofilen (7355) befestigen mit Abstandshaltern (7392) auf jeder Seite der Rolle, Schraube (7393), Festhalter (7350) und selbstschneidender Mutter (7360) (6a.3) Die unteren Türprofile (7355) mit den Seitenprofilen (7357) oder (7358) verschrauben.(6a.3) (6a.7a).

Die mittleren Türprofile (7354) und (7384) mit dem zweiflügeligen Kastenriegelschloss (7400) (7401) und (7402) mit Hilfe von Schrauben (7404) verbinden. Die Seitenstreben (7357) oder (7358) mit Schrauben (7052), Muttern (7053) und Schrauben (7405) befestigen (6a.4) (6a.5) (6a.8). **Die Schrauben (7404) und (7405) müssen fest, aber nicht zu fest angezogen werden.**

Die oberen Türprofile (7352) oder (7353) mit den seitlichen Türprofilen (7357) oder (7358) verschrauben (6a.6) (6a.7b).

Die Scheiben G in die Verglasungsschienen der montierten Teile schieben (6a.9).

(7052) und (7053) lose in die Türseitenprofile (7356) einführen und auf (7355), (7354) oder (7384) und (7352) oder (7353) schieben und die Schraubenköpfe (7052) in die Schraubenkanäle, sowie die Verglasung in die Verglasungskanäle (6a.9) (6a.10) einpassen. Die Türführungen (2271)oben in beide Türen einführen (6a.6).

**Achtung:** Wenn Sie 4 mm Verglasung gewählt haben, schneiden Sie die Glasdichtung (7420) passend und drücken sie in die Verglasungskanäle auf der Innenseite der Tür um das Glas zu fixieren. (6a.11).

#### 6b. TÜRRAHMEN UND TÜRSCHWELLE

Türversteifung (7362) mittels Schrauben (7390) in der Türöffnung auf dem Bodenprofil

(6b.1) (6b.2) befestigen.

Türlaufschiene (7351) neigen, um sie in das Schwellenprofil zu schieben und in Position bringen (6b.3). In der Mitte der Türöffnung platzieren und mittels Wanddübeln (2003) und Schrauben (2002) am Fundament anschrauben (6b.4).

Die Türseitenrahmen (7361) mit den Zwischenprofilen (7311) verschrauben. Wenn sie in Position gebracht sind, oben mit Schrauben (7052) und Muttern (7053) (6b.5) – (6b.8) verschrauben.

Unten Schrauben (7052) in die Kanäle auf beiden Seiten der Türschwelle (7363) (6b.9) einführen und die Türschwelle an die richtige Stelle schieben (6b.10)(6b.11).

## 7. GLASÜBERSICHT

Bitte sortieren Sie die Verglasung anhand Ihrer Modellgröße und Verglasungsart bevor Sie beginnen. Wenn Sie Glas gewählt haben, dann sind die Scheiben E und F auf beiden Seiten identisch.

**Achtung** – Die UV-beständige Seite der Hohlkammerplatten ist durch eine Plastikfolie oder einen gedruckten Hinweis an den Kanten gekennzeichnet. **Diese Seite muss nach außen zeigen.** Lösen Sie die Folie vor dem Aufbau ca. 2 cm weit an allen Kanten. Wenn alle Scheiben eingesetzt sind, entfernen Sie die Folie vollständig von allen Scheiben.

## 7a. VERGLASUNG VON DACH / TRAUFE

Schieben Sie die Dachverglasung in die Führungsschienen der Dachprofile (7a.2) (7a.3).

Wenn zwei nebeneinander liegende Scheiben in Position sind, die Verglasungs-Stopps (7342) oder (7343) durch die vorgebohrten Löcher mit selbstschneidenden Schrauben (7349) auf dem dazwischen liegenden Dachprofil anbringen(7a.4) (7a.5). Die Scheiben sollten herunterrutschen und an diesen Stopps hängenbleiben.

Das Traufenprofil (7324 / 7326) an der Nut des Traufenwinkels (7a.6) ansetzen und herunterziehen, um es gegen den Traufenwinkel zu drücken. Alternativ kann das Traufenprofil seitlich eingeschoben werden. Mit Schrauben (7052) von außen und Muttern (7053) von der Hausinnenseite mit dem Traufenwinkel verschrauben (7a.7).

Schieben Sie die Glasdistanzhalter (7424) wie in Abb. (7a.9) auf den Traufenwinkel und den Glasdistanzhalter (7425) über die Außenecke des Giebels (7a.10). Zur Befestigung des Giebels (7425) verwenden Sie die Schraube (7349) (7a.10).

Zur Befestigung des Verglasungsendprofil (7447/7449) am Giebel verwenden Sie die Schrauben (7052), welche Sie in den

Schraubenkanal der Dachzwischenprofile schieben und mit der Mutter(7053) verschrauben. Abb. (7a.10). Zur gleichen Zeit befestigen Sie die Kunststoffkappen (7468 und 7469) so, dass Sie die offenen Enden der Dacheckprofile (7432/7433) abdecken und hinter die Endkappen (7447/7449) passen. Abb. (7a.10)(7a.11)

## 7b. SEITENVERGLASUNG

Bitte entscheiden Sie sich an dieser Stelle, in welche Felder Sie die beiden Seitenfenster einbauen wollen. **Achtung:** Die Fenster können nicht in ein Feld an der Ecke oder direkt neben dem Türeinang montiert werden. Es muss eine komplette Sektion dazwischen liegen. Die Glasscheiben H werden dann anstelle der Glasscheiben A in diese Felder eingesetzt.

Glasdichtung (7382) jeweils in die obere Nut in (7381) drücken und passend schneiden.

Bei Verglasung mit Glas / ASP die Glasdichtung (6090) auf die Aluminiumprofile (7b.2) drücken und auf Länge schneiden.

**Achtung:** Es ist empfehlenswert, die Glasdichtungen (6090) auf allen horizontalen Glasführungen etwas kürzer zu schneiden und mittig zu platzieren. Dadurch kann Kondenswasser, das sich im Inneren ansammelt, entweichen.

**Achtung:** Bei Polycarbonat-Verglasung wird keine Gummidichtung benötigt.

Durch das Einführen der Schraubköpfe (7289) in die verschiedenen Führungen in der Abdeckleiste ist es möglich, das Gewächshaus mit  $\leq 4$  mm, 10 mm oder 16 mm starken Scheiben zu verglasen. (7b.2). Führen Sie in jedem vorbereiteten Loch Schrauben (7289) ein, wie in (7b.3) gezeigt.

Für 10 mm Verglasung 1 Abstandshalter (7407) in die Mitte/oberhalb jeder Scheibe A (7b.4) einführen. Jede Glasscheibe A in den Rahmen schieben und die vertikalen Abdeckleisten (7372) oder (7373) lose mit den Muttern (7053) verschrauben (7b.3).

Scheibe A 15 mm hoch anheben und mit den Abdeckleisten (7381) lose unter der Scheibe verbinden (7b.3).

Für 10 mm Verglasung 4 Abstandshalter (7409) jeweils auf (7319), (7320) und (7444 / 7446) (2 Abstandshalter für jede Scheibe E, F und J) (7b.5) (7b.6) einfügen. Scheiben E, F und J justieren. Abdeckleisten (7442) oder (7443) montieren und dann (7379) / (7470) oder (7380) / (7471) lose einbauen.

**Wichtig:** Bei Polycarbonateindeckung verwenden Sie die Distanzhülsen (7467) unterhalb der Endkappen (7468) oder (7469) je nach Stärke der Verglasung. Bei 10mm verwenden Sie eine (7467), bei 16mm zwei

(7467). Die Kappen (7442) und (7443) üben dann Druck auf die Endkappen halter (7468) und (7469) aus und fixieren Sie.

## Alle Schrauben fest, aber nicht zu fest anziehen.

**Achtung:** Die vertikalen Abdeckleisten lassen sich am besten montieren, wenn zuerst die obere Schraube, danach die mittlere und zuletzt die untere Schraube in das Loch eingesetzt werden. Stellen Sie sicher, dass die Abdeckleisten mit dem Bodenprofil in Kontakt bleiben.

## 8a. MONTAGE SEITENFENSTER

Entfernen Sie die Muttern (7053) von den vertikalen Abdeckleisten (7372) an den mittleren Profilen (7311) neben der Fensteröffnung. Schieben Sie (7053) und (7399) lose in die unteren Löcher der Fensterseitenrahmen (7311) oberhalb der Glasscheibe H (8a.2) und montieren Sie die Kunststoffkappe (7053) neu (8a.3) (8a.4).

Schieben Sie (7053) und (7399) in das untere Loch des Fensterbankprofils (7452). Drehen Sie das Profil so weit, dass es die Glasscheibe H und die mittlere sichtbare Mutter an beiden Seiten (7452) abdeckt (8a.5). Befestigen Sie die mittleren sichtbaren Muttern (7053) wieder (8a.6).

Befestigen Sie das Fensterscharnier (7190) mit den Schrauben (7088) an den Fensterrahmen (7197) und (7198) (8a.7).

**Achtung:** Benutzen Sie ausschließlich die dafür vorgesehenen Löcher im Scharnier.

Befestigen Sie das vormontierte Fenster (siehe Schritt 5a) mittels Schrauben (7088) an den Seitenprofilen mit den Fensterscharnieren (7190). **Achtung:** Benutzen Sie ausschließlich die dafür vorgesehenen Löcher im Scharnier.

Schließen Sie das Fenster und stellen Sie sicher, dass es über dem Fensterbankprofil (7452) ohne Kontakt schließt. Die Fensterhöhe kann mit Hilfe der Löcher im Scharnier (7190) justiert werden. Wenn das Fenster richtig justiert ist, fixieren Sie dieses indem Sie zusätzliche Schrauben in die übrigen Löcher schrauben.

Montieren Sie die Einrastzapfen (6056) am Fensterbankprofil (7452) mittels Schrauben (7403) (8a.9). Platzieren Sie diese durch Ausrichtung mit den langen Löchern im Fensteraufsteller (7090) wenn das Fenster geschlossen ist (8a.10). Wenn das Fenster geschlossen ist, kann der Fensterausteller (7090) an beiden Einrastzapfen (6056) eingerastet werden um das Fenster fest zu schließen. (8a.10).

**Achtung:** Wenn sich die Bürstendichtung (7457) im oberen Fensterprofil (7450) verschiebt wenn das Fenster geschlossen

wird, kann diese entsprechend gekürzt werden, Details siehe (5a.10).

Verfahren Sie für die Montage des anderen Fensters genauso.

## 8b. MONTAGE OBERFENSTER

Entfernen Sie die Muttern (7053) der Schrauben, der Verglasungsleisten (7440) und (7441) von den Eckprofilen (7437/7438) und den Zwischenprofilen (7439) rechts und links der Fensteröffnung. Abb. (8b.1).  
Stecken Sie die Fensterseitenprofile (7188) und (7189) nun auf die vorbereiteten Schrauben (8b.1)(8b.2) und befestigen Sie anschließend wieder die Verglasungsleisten mit der Mutter (7053) (8b.3) und (8b.4).

Schrauben Sie lose die (7053) und (7399) in die Löcher des unteren Fensterprofils (7462).  
Bewegen Sie so, dass der Kopf von (7399) in den Schraubenkanal des vertikalen Profils passt (7444/7446). Wie in Abb. (8b.5 und 8b.6) dargestellt.

Verwenden Sie die Schraube (7088) um das Fensterscharnier (7190) zu befestigen.  
Scharuben Sie es an die Seitenrahmen (7188) und (7189) wie in Abb. (8b.7).

**Wichtig:** Verwenden Sie nur die vorbereiteten Langlöcher im Scharnier.

Befestigen Sie nun die vorbereiteten Fenster (Sektion 5B) zwischen den Zwei Fensterscharnieren (7190) mit den Schrauben (7088)

**Wichtig:** Verwenden Sie nur die vorbereiteten Langlöcher im Scharnier.

Schließen Sie nun das Fenster und stellen Sie sicher, dass es oberhalb der Fensterbank (7462) schließt, ohne diese zu berühren. Die Fensterhöhe kann über die Langlöcher in den Scharnieren (7190) angepasst werden. Wenn es korrekt schließt, schrauben Sie die die übrigen Schrauben fest.

Schrauben Sie nun die Fensternocken (6056) mit den Schrauben (7403) an die Fensterbank (7462) Abb. (8b.9).  
Passen Sie nun die richtige Position des Fensterhebels (7090) mit Hilfe des Schraubenkanals bei geschlossenem Fenster an. (8b.10).  
Wenn das Fenster geschlossen ist, muss der Fensterhebel (7090) auf beiden Fensternocken (6056) sitzen und damit das Fenster verschließen. (8b.10)

**Wichtig:** wenn die Bürstendichtung (7457) über die Ecke von (7460) bei geschlossenem Fenster übersteht, kann man es einfach passend schneiden. Abb. (5b.10)

(11500) für das andere Fenster wiederholen.

## 9. DIE LETZTEN HANDGRIFFE

Führen Sie die Regenrinnenanschlussstücke (7370) und (7371) in beide Enden des

Traufenprofils (7324 / 7326) (9.1) (9.2) ein.

**Achtung:** Es kann helfen, das Traufenprofil an der oberen Kante vorsichtig vom Haus weg zu ziehen, so dass die Öffnung für den Kunststoff größer wird.

Führen Sie die Hammerkopfschrauben (1412) in den Schraubenkanal am unteren Ende des Eckprofils (7310) ein und verschrauben Sie (1405) und (1409) mit der Aluminium-Mutter (1002) auf beiden Seiten (9.3).  
Montieren Sie das Kniestück (1402) am Ende des Regenablaufrohrs (1415) (9.6) und verbinden Sie dieses mit den Regenrinnenanschlussstücken (7370) oder (7371) (9.9).  
Die Fallrohrklammer (1403) um das Fallrohr spannen und mit (1409) verbinden (9.4).  
Schraube (1006) hineinstecken um das Regenablaufrohr zu fixieren (9.5).

Montieren Sie die Türschwelle (7359) in die Türöffnung. Verbinden Sie sie mit (7444/7446) indem Sie die Schrauben (7052) in den Schraubenkanal auf der Außenseite der Profile schieben und mit den Muttern (7053) befestigen. Abb. 9.7

An beiden Enden des Türführungsprofils (7359) Schrauben (7352) von oben einsetzen und mit Muttern (3002) von unten befestigen, um die Öffnung der Tür zu begrenzen. (9.7) (9.8).

Die Kunststoff-Türführung (2771) in das Türführungsprofil (7359) (9.9) (9.10a) einschieben und dann die Rollen unten auf die Türlaufschiene setzen (7351) (9.10b).  
Die Türfesthalter (7350) unter der Nase (7351) einhaken und die Türrollenschrauben (7360) festziehen (9.10b).

Die Kunststoffkappen (6070) auf alle sichtbaren Muttern (7053) im Haus drücken (9.11).

## ABSCHLUSSARBEITEN

Optional können Sie das Gewächshaus auch noch in den Ecken mit neutral vernetzendem Silikon abdichten. Hierfür ist kein Silikon im Lieferumfang enthalten.

Den beiliegenden Warnaufkleber von innen aufkleben.

Bitte überprüfen Sie 2 Wochen nach dem Aufbau, ob alle Schrauben fest sitzen.

Ihr Händler hält ein reichhaltiges Sortiment an Gewächshaus-Zubehör für Sie bereit.  
Sprechen Sie ihn an.

## SICHERHEITSHINWEIS

Die Dachflächen dürfen nicht betreten werden.  
Es besteht Absturzgefahr.

Bei starkem Wind sollten alle Öffnungen und die Tür geschlossen sein.

Dächer von Gewächshäusern sind rechtzeitig von Schnee zu räumen, so dass keine gefährliche Schneebelastung eintreten kann.  
Heizen Sie das Gewächshaus im Winter.

## ANMERKUNGEN

Zum vollen Schutz des Gewächshauses empfehlen wir, es mit in Ihre Hausversicherung einzuschließen. Beachten Sie eventuell vorhandene örtliche Bauvorschriften.

Den mitgelieferten Typaufkleber nach erfolgter Montage des Gewächshauses auf das Radgehäuse (7352) oder (7353) kleben. Die Typbezeichnung benötigen Sie zur Angabe bei der Bestellung evtl. benötigter Ersatzteile.

Bitte heben Sie die Montageanleitung auf!

Alle Maßangaben sind Annäherungswerte, Änderungen vorbehalten.

# Mesures préventives de sécurité

## 1. MERCI DE LIRE CES INSTRUCTIONS INTÉGRALEMENT AVANT DE COMMENCER LE MONTAGE !

- Toujours porter des lunettes et des gants de protection, des chaussures de sécurité et un casque lors de la manipulation du verre, des panneaux alvéolaires ou des éléments de la serre étant donné que les rebords coupants peuvent provoquer des blessures. Le verre brisé constitue un risque. Merci de l'éliminer avec la prudence qui s'impose.
- La serre que vous venez d'acquérir a été conçue pour la culture de plantes et doit être utilisée exclusivement dans cet objectif. Nous excluons toute responsabilité en cas d'autre utilisation.
- Deux personnes sont nécessaires pour réaliser le montage de cette serre.
- Lors de l'utilisation d'une échelle, la faire toujours sécuriser par une deuxième personne.
- Si vous deviez rencontrer des difficultés lors du montage de la structure ou de l'installation du vitrage, merci de contacter votre revendeur – **N'ayez pas recours à la force !**
- La serre doit être ancrée.

## Description du montage

### CHOIX DE L'EMPLACEMENT

Choisissez l'emplacement le plus ensoleillé mais aussi le mieux protégé du vent.

### IMPORTANT

Avant de commencer le montage de votre serre, vérifiez que vous disposez de toutes les pièces telles qu'elles sont indiquées dans la liste. Retirez les différents paquets de l'emballage pour mieux les identifier. Il est important de ne pas mélanger les paquets ouverts. Si, malgré nos contrôles attentifs, un élément devait manquer, merci de contacter votre revendeur.

**Attention** – Le côté résistant aux UV des panneaux alvéolaires est marqué par un film plastique ou un avis imprimé sur le rebord. **Ce côté doit être tourné vers l'extérieur !**

Pour bien colmater la serre correctement, il est recommandé d'utiliser une silicone réticulée neutre comme indiqué sur les illustrations (4b.7), (4b.8), (7a.6) et (7a.8). La silicone est jointe à la livraison.

### OUTILS NÉCESSAIRES

Tournevis (à fente et cruciforme PH2)

Marteau en caoutchouc

2 échelles (de 1,80 m)

Clé à disques de 10 mm

Clé mixte

Couteaux

Mètre pliant

Niveau à bulle

Perceuse-visseuse sans fil avec moment de force réglable.

### MAINTENANCE

La serre doit être nettoyée de temps en temps à fond avec un produit nettoyant doux au pH neutre. Les vitres peuvent être nettoyées avec un produit doux qui n'attaque ni les pièces en

plastique ni le cadre en aluminium ni les pincés à ressort des vitres. Nettoyez régulièrement le rail de la porte.

### 0. FONDATIONS

**Important !** Les fondations doivent être parfaitement perpendiculaires et planes. Pour cela, vous avez besoin d'un niveau à bulle et d'une équerre.

**Attention** : si l'écart entre les deux angles opposés est identique alors les fondations sont perpendiculaires.

Pour le montage de cette serre, nous recommandons des fondations solides en béton, en briques ou en maçonnerie. Si vous n'avez aucune expérience dans la construction de telles fondations, engagez plutôt une entreprise spécialisée dans ce genre de travaux. Le matériel et les outils nécessaires à l'installation des fondations ne sont pas compris dans la livraison.

La porte peut être montée sur n'importe quel côté de la serre. Veuillez noter la position souhaitée de la porte et préparer la fondation comme indiqué, V1 - V4.

Les fondations doivent être à l'abri du gel.

**Tous les schémas représentent la vue de l'intérieur de la construction exception faite des illustrations imprimées dans un cadre ondulé qui décrivent elles la vue de l'extérieur.**

### 1. PAROI ARRIÈRE

**Attention** : quand la porte doit être installée sur ce côté de la construction, retirer un profilé intermédiaire (7311) ①.

Enfoncez le joint (7396) dans le profilé de sol (7304 / 7306) et découpez-le à la longueur (1.1) (1.2).

Placez toutes les pièces sur le sol, insérez les vis (7052) dans les canaux des vis et

vissez-les légèrement. Veillez à ce que les équerres de gouttière (7314 / 7316) soient enfoncées dans les coins des piliers d'angle (7310) (1.3) (1.4) et à ce que les profilés d'angle (7310) et intermédiaires (7311) soient placés exactement sur le rebord de montage de l'équerre de gouttière (1.9) (1.12).

Monter les profilés diagonaux (7312) sur les deux côtés (1.3) (1.4) (1.10) (1.11). Les fixer au profilé de sol en serrant les vis (7289) légèrement.

### 2. EXTRÉMITÉ GAUCHE DU PIGNON

**Attention** : quand la porte doit être installée sur ce côté de la construction, retirer le profilé intermédiaire (7311) ①.

Enfoncer le joint (7396) dans le profilé de sol (7304) et le couper à la bonne longueur (2.1) (2.2).

Placer toutes les pièces sur le sol et vissez-les légèrement en insérant les vis (7052) dans les canaux de vis. Fixer le profilé de gouttière (7319) sur le logement du profilé d'angle (7437) (2.3) (2.4) et monter ensuite le profilé d'angle (7437) sur le profilé du sol (7304) (2.5) (2.6). Monter les profilés intermédiaires (7311) (2.7) (2.8) bord à bord sur le profilé du sol (7304) et le profilé de gouttière (7319) (2.9).

Fixer le profilé diagonal (7312) (2.5) (2.9) (2.10). Le monter sur le seuil en le serrant légèrement avec les vis (7289).

### 3. EXTRÉMITÉ DROITE DU PIGNON

**Attention** : quand la porte doit être installée sur ce côté de la construction, retirer le profilé intermédiaire (7311) ①.

Monter tous les éléments comme indiqué à l'étape 2.

### 4a. ASSEMBLAGE DES ÉLÉMENTS

Enfoncez le joint (7396) dans le profilé de sol (7304 / 7306) et découpez-le dans le sens de

la longueur (4a.1) (4a.2).

Pour pouvoir raccorder les parois entre elles, merci de desserrer les vis (7399) et les écrous (7053) du profilé du sol (7304) comme indiqué sur l'ill. (4a.3). Sur les profilés d'angle plus bas, insérez les têtes de vis dans le canal de vis du profilé (7310) (4a.4).

Montez les diagonales (7312) sur les deux côtés comme indiqué sur l'ill. (4a.5). Ne serrez les vis (7289) que légèrement sur le.

Utilisez les vis (7399) et les écrous (7053) pour raccorder les profilés (7319) avec les profilés d'angle (7310) et assurez-vous qu'ils poussent contre le profilé du toit (4a.6) (4a.7).

Montez les vis (7399) et (7053) en les serrant légèrement dans les profilés de sol (7304/7306) comme indiqué sur l'ill. (4a.3). Insérez les vis (7053) dans les canaux des vis des profilés (7437/7438), comme indiqué sur l'ill. (4a.4).

Merci de fixer à présent les profilés frontaux (7444/7446) dans les logements des profilés d'angle (7337/7438) et d'utiliser pour cela les vis (7399) et les écrous (7053).

Merci de fixer le profilé de pignon (7434/7436) sur les profilés d'angle (7437/7438). Voir ill. (4a.10) (4a.11).

Fixez les profilés de diagonal sur la partie avant (7312). Ne serrez pas les vis (7289) à fond sur le profilé du sol étant donné que vous devrez les desserrer à nouveau lors de l'opération de vitrage (7B).

Alignez à présent le cadre sur les fondations préparées. Vérifiez que la construction est bien perpendiculaire et percez des trous de 6 de Ø à travers les trous prépercés sur (7304) et (7306). Insérez les chevilles (7421) et fixez le cadre sur les fondations en vissant légèrement. Pour cela, utilisez les vis (7411) comme indiqué sur l'ill. (4a.12).

#### 4b. TOIT

Fixez à présent les profilés (7439) entre les profilés de pignon (7434/7436) et les profilés horizontaux (7444/7446) comme indiqué sur l'ill. (4b.2).

Fixez à présent les profilés (7439) entre les profilés de pignon (7434/7436) et les profilés horizontaux (7444/7446) comme indiqué sur l'ill. (4b.2).

Fixez à présent les profilés d'angle du toit (7432/7433) sur les profilés de pignon (7434/7436) et sur les profilés d'angle (7437/7438), utilisez ici les tôles d'angle (7348) ill. (4b.6)  
Vissez à présent les profilés latéraux (7346/7347) entre les profilés centraux

(7319/7320) et les profilés d'angle du toit (7432/7433). Montez ici aussi les tôles d'angles (7348) comme indiqué sur l'ill. (4B.5).

Insérez à présent les vis (7052) dans les canaux des vis du profilé intermédiaire (7426). Sur la gouttière et plus bas sur l'équerre de gouttière (7314/7316), utilisez les rondelles (7053) et les écrous (7053) ill. (4b.7) / (4b.8). Assurez-vous que (7426) est correctement en place sur l'angle de l'équerre de gouttière et exactement sur le petit trou situé sur le côté extérieur de la gouttière (7426) (4b.9).

Insérez (7052) dans le canal de vis (7426) sur le pignon et raccordez-le. (7434/7436) (4b.10).

Contrôlez sur le cadre que tout est à angle droit et si c'est le cas, serrez toutes les vis (7411/7412).

**IMPORTANT : attention de ne pas fausser les vis en les serrant trop !**

Montez maintenant les équerres d'angle (7331) entre chacun des profilés centraux latéraux (7311) et le profilé intermédiaire du toit (7426). Pour cela, utilisez les vis à tête de marteau (7399) comme indiqué sur l'ill. (4b.11/4b.12)

#### 5a. FENÊTRE LATÉRALE

Visser le profilé de fenêtre inférieur (7451) avec les profilés latéraux (7184) et (7185) (5a.2) (5a.3). Insérer la vitre D dans les guidages correspondants (5a.5) des profilés montés (5a.4) (5a.5). Enfoncer (7052) et (7053) dans le profilé de fenêtre supérieur (7450) en les serrant légèrement et les insérer sur (7184) et (7185), les têtes de vis de (7052) doivent alors être introduits dans les canaux de vis et le vitrage dans les canaux de vitrage (5a.6) (5a.7).

**Attention** : si vous avez choisi un vitrage de 4 mm, découpez le joint (7420) aux dimensions correspondantes et enfoncez-le dans les canaux de vitrage sur le côté intérieur de la fenêtre pour fixer la vitre (5a.8) (5a.9)  
Vérifiez que la fenêtre est bien perpendiculaire avant de serrer toutes les vis à fond.

**Les vis doivent être serrées mais pas trop.**

Enfoncer les brosses de colmatage (7457) en une pièce dans les guidages de la porte et les profilés latéraux (7185) (7450) (7184) (5a.10) par le haut et les découper à la longueur désirée. **Attention** : si la brosse de colmatage (7457) se décale visiblement quand on ferme la fenêtre (voir étape 8a), elle peut alors être raccourcie (5a.10).

Monter le mécanisme d'ouverture et de fermeture de custode (7090) au moyen de la plaque de calage (7413) et de deux vis (7349) (7349) (5a.11) (5a.12).  
Enfoncer les bouchons en plastique (6070) sur toutes les vis (7053) (5a.13).

#### 5b. FENÊTRE SUPÉRIEURE

Monter tous les éléments comme indiqué à l'étape 5a.

#### 6a. PORTES COULISSANTES

Enfoncer les brosses de colmatage (7332) dans les guidages de la porte (7352) (7353) (7355) (7356) (7357) (6a.2) et les découper à la longueur désirée.

Fixer les roulettes de coulissage de la porte (7364) sur les profilés de porte inférieurs (7355) en les vissant légèrement avec des entretoises (7392) sur chaque côté des roulettes, des vis (7393), le serre-flanc (7350) et des écrous autotaraudeurs (7360) (6a.3)  
Visser les profilés de porte inférieurs (7355) avec les profilés latéraux (7357) ou (7358). (6a.3) (6a.7a).

Raccorder les profilés centraux de la porte (7354) et (7384) avec la serrure à pêne dormant à boîtier (7400) (7401) et (7402) au moyen des vis (7404). Fixer les étais latéraux (7357) ou (7358) avec les vis (7052), les écrous (7053) et les vis (7405) (6a.4) (6a.5) (6a.8). **Les vis (7404) et (7405) doivent être serrées mais pas trop.**

Visser le profilé de porte supérieur (7352) ou (7353) avec les profilés de porte latéraux (7357) ou (7358) (6a.6) (6a.7b).

Insérer les vitres G dans les rails de vitrage des éléments montés (6a.9).

Enfoncer (7052) et (7053) dans le profilé latéral de la porte (7356) en les serrant légèrement, les insérer sur (7355), (7354) ou sur (7384) et (7352) ou (7353) et ajuster les têtes de vis (7052) aux canaux de vis et le vitrage aux canaux de vitrage (6a.9) (6a.10). Insérer les guidages de la porte (2271) dans les deux portes par le haut (6a.6).

**Attention** : si vous avez choisi un vitrage de 4 mm, découpez le joint de glace (7420) aux dimensions correspondantes et enfoncez-le dans les canaux de vitrage sur le côté intérieur de la porte pour fixer la vitre. (6a.11).

#### 6b. CADRE ET SEUIL DE LA PORTE

Fixer le raidissement de la porte (7362) au moyen des vis (7390) sur le profilé de sol dans l'ouverture de la porte (6b.1) (6b.2).

Incliner le rail de la porte (7351) pour l'insérer dans le profilé de seuil et le mettre en position (6b.3). Le placer au centre de l'ouverture de la porte et le visser aux fondations au moyen des chevilles murales (2003) et des vis (2002) (6b.4).

Visser les cadres latéraux de la porte (7361) aux profilés intermédiaires (7311). Une fois qu'ils sont en position, les visser en haut avec les vis (7052) et les écrous (7053) (6b.5) à (6b.8).

Insérer les vis (7052) en bas dans les canaux sur les deux côtés du seuil de la porte (7363) (6b.9) et pousser le seuil sur sa bonne position (6b.10) (6b.11).

## 7. APERÇU DES VITRES

Merci de trier le vitrage à l'aide de la taille du modèle et du type de vitrage avant de commencer. Si vous avez choisis le verre, les vitres E et F sont alors identiques des deux côtés.

**Attention** – Le côté résistant aux UV des panneaux alvéolaires est marqué par un film plastique ou un avis imprimé sur le rebord. **Ce côté doit être tourné vers l'extérieur.** Retirez le film sur 2 cm environ sur chaque rebord. Quand toutes les vitres sont installées, retirez le film entièrement de toutes les vitres.

## 7a. VITRAGE DU TOIT / DE LA GOUTTIÈRE

Insérez le vitrage du toit dans les rails de guidage des profilés du toit (7a.2) (7a.3).

Quand deux vitres sont placées l'une à côté de l'autre, poser les arrêts des vitrages 7240, 7342 ou 7343 dans les profilés du toit à travers les trous prépercés avec des vis autotaraudeuses 7349 sur le profilé de toit situé entre les deux (7a.4) (7a.5). Les vitres doivent alors glisser vers le bas jusqu'à ces arrêts et y rester.

Placer le profilé de gouttière (7324 / 7326) sur la rainure de l'équerre de gouttière (7a.6) et le tirer vers le bas pour le presser contre l'équerre de gouttière. Il est également possible d'insérer le profilé de gouttière latéralement. Le visser à l'équerre de gouttière avec les vis (7052) insérées à l'extérieur et les écrous (7053) insérés de l'intérieur de la construction (7a.7).

Insérez l'entretoise de glace (7424) comme indiqué sur l'ill. (7a.9) et l'équerre de gouttière et l'entretoise de glace (7425) sur l'angle extérieur du pignon (7a.10). Pour fixer le pignon (7425), utiliser les vis (7349) (7a.10).

Pour fixer les profilés d'extrémité du vitrage (7447/7449) sur le pignon, utilisez les vis (7052) que vous insérez alors dans le canal de vis du profilé intermédiaire du toit et que vous visser avec les écrous (7053). Ill. (7a.10). Fixez en même temps les bouchons en plastique (7468 et 7469) de manière à ce qu'ils couvrent les extrémités ouvertes des profilés d'angle du toit (7432/7433) et tiennent derrière les bouchons des extrémités (7447/7449). Ill. (7a.10) (7a.11)

## 7b. VITRAGE LATÉRAL

Merci de choisir ici les champs dans lesquels vous souhaitez monter les fenêtres latérales.

**Attention** : les fenêtres ne peuvent pas être montées dans un champ d'angle ni directement à côté de la porte d'entrée. Elles doivent être séparées par une section entière. Les vitres H sont alors utilisées à la place des vitres A dans ces champs.

Enfoncer le joint de glace (7382) dans chacune des rainures supérieures dans (7381) et le couper à la bonne longueur.

Dans le cas des vitrages avec verre / ASP, enfoncer le joint de glace (6090), sur les profilés en aluminium (7b.2) et les couper à la bonne longueur.

**Attention** : il est recommandé de raccourcir légèrement les joints de glaces (6090) sur tous les guidages de verre horizontaux et de les centrer. Ainsi, l'eau de condensation qui s'accumule à l'intérieur peut être évacuée.

**Attention** : les vitrages en polycarbonate ne nécessitent pas de joint en caoutchouc.

En insérant les têtes de vis (7289) dans les différents guidages des caches, il est possible d'équiper la serre de vitres de  $\leq 4$  mm, 10 mm ou 16 mm d'épaisseur. (7b.2). Préparez les boulons (7289) dans chaque trou préparé (7b.3)

Pour les vitrages de 10 mm, insérer 1 entretoise (7407) au centre/ au-dessus de chaque vitre A (7b.4). Insérer chaque vitre A dans le cadre et visser les caches verticaux (7372), ou (7373) légèrement avec les écrous (7053) (7b.3).

Soulever la vitre A sur 15 mm et la raccorder avec les caches (7381) en les vissant légèrement sous la vitre (7b.3).

Pour les vitrages de 10 mm, insérer 4 entretoises (7409) sur (7319), (7320) et (7444 / 7446) (2 entretoises pour chaque vitre E, F et J) (7b.5) (7b.6). Ajuster les vitres E, F et J. Monter les caches (7442) ou (7443) et installer ensuite (7379) / (7470) ou (7380) / (7471) en les vissant légèrement.

**Important** : dans le cas des caches en polycarbonate, utilisez des entretoises (7467) en-dessous des bouchons situés sur les extrémités (7468) ou (7469) selon l'épaisseur du vitrage. Si elle est mesurée 10 mm, utiliser une (7467), si elle est de 16 mm deux (7467). Les bouchons (7442) et (7443) pressent alors sur les bouchons des extrémités (7468) et (7469) et les fixent.

**Les vis doivent être bien serrées mais pas trop.**

**Attention** : le moyen le plus facile de monter les caches verticaux est d'insérer tout d'abord

la vis supérieure, puis celle du milieu et enfin celle inférieure dans le trou. Assurez-vous que les caches restent en contact avec le profilé de sol.

## 8a. MONTAGE DES FENÊTRES LATÉRALES

Retirez les écrous (7053) des caches verticaux (7372) sur les profilés centraux (7311) à côté de l'ouverture de la fenêtre. Insérez (7053) et (7399) dans les percages inférieurs des cadres des fenêtres latérales (7311) au-dessus de la vitre H (8a.2) en les vissant légèrement et remontez les bouchons en plastique (7053) (8a.3) (8a.4).

Insérez (7053) et (7399) dans le trou inférieur du profilé du rebord de la fenêtre (7452). Faites tourner le profilé jusqu'à ce qu'il couvre la vitre H et l'écrou central visible des deux côtés (7452) (8a.5). Fixez à nouveau les écrous centraux visibles (7053) (8a.6).

Fixez les charnières de la fenêtre (7190) aux cadres (7197) et (7198) avec les vis (7088) (8a.7).

**Attention** : utilisez ici exclusivement les trous dans les charnières prévus à cet effet.

Fixez la fenêtre prémontée (voir étape 5a) avec les vis (7088) aux profilés latéraux avec les charnières de la fenêtre (7190).

**Attention** : utilisez ici exclusivement les trous dans les charnières prévus à cet effet.

Fermez la fenêtre et assurez-vous qu'elle se ferme bien sans entrer en contact avec le profilé du rebord de la fenêtre (7452). La hauteur de la fenêtre peut être ajustée au moyen des trous des charnières (7190). Quand la fenêtre est ajustée correctement, fixez-la en vissant des vis supplémentaires dans les trous restants.

Montez les pignons enfichables (6056) sur le profilé du rebord de la fenêtre (7452) au moyen des vis (7403) (8a.9). Placez-les en orientant les trous oblongs dans le mécanisme d'ouverture et de fermeture de custode (7090) quand la fenêtre est fermée (8a.10). Quand la fenêtre est fermée, le mécanisme d'ouverture et de fermeture de custode (7090) peut être enclenché dans les deux pignons enfichables (6056) pour fermer la fenêtre. (8a.10).

**Attention** : si la brosse de colmatage (7457) se décale quand on ferme la fenêtre, elle peut alors être raccourcie, voir détails (5a.10).

Procédez de la même manière pour le montage de l'autre fenêtre.

## 8b. MONTAGE DE LA FENÊTRE SUPÉRIEURE

Retirez les écrous (7053) des vis des barres de vitrage (7440) et (7441) des profilés d'angle (7437/7438) et des profilés intermédiaires

(7439) à droite et à gauche de l'ouverture de la fenêtre. III. (8b.1).  
Insérez à présent les profilés latéraux des fenêtres (7188) et (7189) sur les vis préparées (8b.1) (8b.2) et fixez ensuite à nouveau les barres de vitrage avec les écrous (7053) (8b.3) et (8b.4).

Vissez le (7053) et le (7399) dans les perçages du profilé de fenêtre inférieur (7462) en les vissant légèrement. Bougez-les de manière à ce que la tête de (7399) rentre dans le canal de vis du profilé vertical (7444/7446). Comme indiqué sur les illustrations (8b.5 et 8b.6).

Utilisez la vis (7088) pour fixer la charnière de la fenêtre (7190). Vissez-la aux cadres latéraux (7188) et (7189) comme indiqué sur l'ill. (8b.7).

**Important :** n'utilisez que les perçages horizontaux préparés dans la charnière.

Fixez à présent la fenêtre préparée (section 5B) entre les deux charnières de fenêtre (7190) avec les vis (7088)

**Important :** n'utilisez que les perçages horizontaux préparés dans la charnière.

Fermez à présent la fenêtre et assurez-vous qu'elle se ferme bien au-dessus du rebord de la fenêtre (7462) sans entrer en contact avec celui-ci. La hauteur de la fenêtre peut être adaptée au moyen des trous oblongs des charnières (7190). Si elle se ferme correctement, serrez les autres vis restantes à fond.

Vissez à présent les dents de fenêtre (6056) avec les vis (7403) au rebord de fenêtre (7462) ill. (8b.9). Ajustez à présent la position du levier de la fenêtre (7090) au moyen du canal de vis quand la fenêtre est fermée. (8b.10). Quand la fenêtre est fermée, le levier (7090) doit être placé sur les deux dents de fenêtre (6056) pour que la fenêtre puisse se fermer. (8b.10)

**Important :** si la brosse de colmatage (7457) dépasse de l'angle de (7460) quand la fenêtre est fermée, elle peut alors être raccourcie à la bonne longueur. III. (5b.10)

Réitérer (11500) pour l'autre fenêtre.

## 9. LES DERNIERS GESTES

Insérez les pièces de raccord des gouttières (7370) et (7371) dans les deux extrémités du profilé de gouttière (7324/7326) (9.1) (9.2).

**Attention :** pour vous aider, vous pouvez tirer prudemment le profilé de gouttière sur le rebord supérieur pour l'éloigner de la construction de manière à agrandir l'ouverture pour le plastique.

Insérez les vis à tête de marteau (1412) dans le canal de vis sur l'extrémité inférieure du profilé d'angle (7310) et vissez (1405) et

(1409) avec l'écrou en aluminium (1002) sur les deux côtés (9.3). Montez le coude (1402) sur l'extrémité du tuyau d'évacuation des pluies (1415) (9.6) et raccordez-le avec les raccords des gouttières (7370) ou (7371) (9.9). Serrer les pinces de tuyau de descente (1403) autour du tuyau de descente et les raccorder avec (1409) (9.4). Insérer la vis (1006) pour fixer le tuyau d'écoulement des pluies (9.5).

Montez le seuil de la porte (7359) dans l'ouverture de la porte. Raccordez-le avec (7444/7446) en insérant les vis (7052) dans le canal de vis sur le côté extérieur du profilé et en les fixant avec les écrous (7053). III. 9.7

Insérer des vis (7352) par le haut dans les deux extrémités du profilé de guidage de la porte (7359) et les fixer par le bas avec les écrous (3002) pour limiter l'ouverture de la porte. (9.7) (9.8).

Mettre le guidage en plastique de la porte (2771) en place dans le profilé de guidage de la porte (7359) (9.9) (9.10a) puis insérer les roulettes dans le rail de la porte par le bas (7351). Accrocher le serre-flanc de la porte (7350) sous le nez (7351) et serrer à fond les vis des roulettes des portes (7360) (9.10b).

Enfoncer les bouchons en plastique (6070) sur tous les écrous visibles (7053) de la construction (9.11).

## FINITION DES TRAVAUX

En option, vous pouvez également colmater les coins avec de la silicone réticulée neutre. La silicone nécessaire ici n'est pas contenue dans la livraison.

Coller l'autocollant d'avertissement ci-joint à l'intérieur.

Merci de contrôler que toutes les vis sont encore bien en place 2 semaines après la construction.

Votre revendeur tient une vaste gamme d'accessoires pour serres à votre disposition. Contactez-le.

## CONSIGNES DE SECURITÉ

Ne montez pas sur les surfaces du toit. Il y a un risque de chute.

En cas de vent fort, toutes les ouvertures et toutes les portes doivent être fermées.

La neige présente sur les toits des serres doit être déblayée à temps de manière à éviter toute charge dangereuse due à la neige..  
Chauffez la serre pendant l'hiver.

## REMARQUES

Pour protéger votre serre au maximum, nous recommandons de l'inclure à votre couverture

d'assurance ménagère. Prenez en compte les éventuelles réglementations locales en vigueur.

Coller l'autocollant signalétique fourni sur le boîtier des roulettes (7352) ou (7353) une fois le montage terminé. Vous aurez besoin de cette désignation pour commander d'éventuelles pièces de rechange.

Merci de conserver les instructions de montage !

Toutes les dimensions indiquées sont des valeurs approximatives, sous réserve de modifications.

# Veiligheidsvoorschriften

1. **LEEST U EERST DE GEHELE INSTRUCTIES DOOR ALVORENS TE BEGINNEN MET DE OPBOUW VAN DE KAS.**
2. Scherpe hoekjes en randen kunnen tot verwondingen leiden. Draag altijd een veiligheidsbril, beschermende handschoenen, schoenen en hoofdbedekking als u werkt met de aluminium profielen, glas- en polycarbonaat platen. Gebroken glas is een veiligheidsrisico - u dient het veilig en meteen op te ruimen.
3. Het product dat u hebt gekocht is alleen bestemd voor het kweken van planten en dient uitsluitend voor dit doel te worden gebruikt. Wanneer het voor andere doeleinden zal worden gebruikt, dragen wij hier geen verantwoordelijkheid voor.
4. Wij raden u aan de kas met twee personen in elkaar te zetten.
5. Wanneer een trapladder wordt gebruikt, dient één persoon deze altijd te stabiliseren terwijl de andere werkt.
6. Mocht u problemen hebben met het bouwen van deze kas of het inpassen van de glas- of polycarbonaat platen, neem dan contact op met uw leverancier.  
– **Gebruik geen geweld!**
7. De kas moet altijd worden verankerd.

## Montage Instructies

### KIEZEN PLAATS

Probeer altijd een zonnige plaats te kiezen die zoveel mogelijk tegen wind beschermt is.

### BELANGRIJK

Controleer a.u.b. of u alle onderdelen op de meegeleverde lijst hebt voordat u begint aan het in elkaar zetten van uw nieuwe kas. Haal a.u.b. elk pakket uit de doos om de onderdelen beter te identificeren.

Het is belangrijk dat de open pakketten niet door elkaar gehaald worden.

Als er onderdelen ontbreken, neem dan a.u.b. contact op met uw leverancier.

**N.B.** - De UV-bestendige kant van de polycarbonaat ruiten wordt aangegeven door de kunststoffolie en de bedrukking op de rand. **Deze kant moet naar buiten zitten.**

Om de kas effectief af te dichten wordt geadviseerd dat u neutrale silicone toepast zoals op tekening (4b.7), (4b.8), (7a.6) en (7a.8). Er wordt voor dit doel silicone meegeleverd.

### VEREISTE GEREEDSCHAPPEN

Schroevendraaiers (normaal en kruiskop PH2)  
 Rubberen hamer  
 2 x 1,8 m ladder  
 10 mm moer- of steeksleutel  
 10 mm combinatiesleutel  
 Stanley mes  
 Maatstok  
 Waterpas  
 Accuboormachine met instelbaar moment

### ONDERHOUD

Om uw kas schoon te houden dient deze af toe grondig gereinigd te worden met een zacht reinigingsmiddel. Zorg er a.u.b. voor dat het reinigingsmiddel niet agressief reageert met

aluminium of kunststof.

Om te voorkomen dat zich vuil ophoopt in de deurrails, zal men deze regelmatig moeten schoonmaken.

### 0. FUNDERING

**Belangrijk!** Let op dat de fundering haaks en waterpas staat. Om dit te bereiken zult u een waterpas en een rechte hoek nodig hebben.

**N.B.** - Als de afstand tussen de twee tegenover elkaar liggende hoeken gelijk is, dan is de fundering haaks.

Voor het opbouwen van de kas adviseren wij een stabiele, van beton, metsel- of steenwerk gemaakte fundering.

Als u geen ervaring hebt met het maken van een dergelijke fundering, moet u een bedrijf raadplegen dat zich in dit werk specialiseert.

Er worden geen materialen en gereedschappen meegeleverd om de geadviseerde fundering voor te bereiden.

De deur kan aan elke kant van de kas worden gemonteerd. Noteer de gewenste deurpositie en bereid de fundering voor zoals afgebeeld, V1 - V4.

De fundering moet tot beneden de vorstgrens zitten.

**Op de tekeningen met het enkelvoudige frame wordt de binnenkant van de kas getoond. Op de tekeningen met het golvend frame wordt de kas van de buitenkant bekeken.**

### 1. ACHTERELEMANT

**N.B.** - Als de deur aan deze kant van de kas wordt gemonteerd, verwijder dan één van de middenprofielen (7311)Ⓢ.

Duw de afdichting (7396) in het kalfje (7304 / 7306) en snij deze voor beide einden passend

af (1.1) (1.2).

Leg al deze onderdelen, volgens het model, op de grond en verbind deze losjes door boutjes (7052) in de boutkanalen te steken. Zorg ervoor dat de hoeken van de zijkant (7314 / 7316) in de hoek van beide hoekbalken (7310) (1.3) (1.4) worden gedrukt en dat de hoekbalken (7310) en middenbalken (7311) op de juiste wijze op de montagerand op de hoek van de zijkant (1.9) (1.12) liggen.

Monteer de diagonale balken (7312) aan beide kanten (1.3) (1.4) (1.10) (1.11). Maak deze bij het kalfje losjes vast m.b.v. een boutje (7289).

### 2. PLATTE TOPGEVEL L

**N.B.** - Als de deur aan deze kant van de kas wordt gemonteerd, verwijder dan het middenprofiel (7311)Ⓢ.

Duw de afdichting (7396) in het kalfje (7304) en snij deze voor beide einden passend af (2.1) (2.2).

Leg al deze onderdelen op de grond en verbind deze losjes door boutjes (7052) in de boutkanalen te steken.

Monteer het eindprofiel (7319) in de uitsparing in het muurprofiel (7437) (2.3) (2.4) en dan (7437) op het kalfje (7304) (2.5) (2.6).

Monteer de middenprofielen (7311) (2.7) (2.8).

Monteer het diagonale profiel (7312) (2.5) (2.9) (2.10). Maak deze bij het kalfje losjes vast m.b.v. een boutje (7289).

### 3. PLATTE TOPGEVEL R

**N.B.** - Als de deur aan deze kant van de kas wordt gemonteerd, verwijder dan het middenprofiel (7311)Ⓢ.

Monteer alle onderdelen zoals in paragraaf 2.

### 4a. DE ELEMENTEN VERBINDEN

Druk zegel (7396) in de dorpelbalk (7304/7306) en snij af om de uiteinden te

monteren (4a.1) (4a.2).

Om de vooraf voorbereide wanden te verbinden, plaatst u de bouten (7399) en moeren (7053) losjes in de dorpelbalken (7304) zoals afgebeeld op (4a.3) In de onderste hoekbalken (7310) de boutkoppen van (7052) in de boutkanalen van (7310) aanbrengen. (4a.4).

Monteer diagonale balken (7312) aan beide kanten (4a.5). Losjes op de dorpel bevestigen met behulp van bout (7289).

Bevestig met behulp van bouten (7399) en moeren (7053) de eindbalken (7319) en (7320) aan de hoekbalken (7310) waarbij u ervoor dient te zorgen dat ze tegen de hoekbalk van de dakrand worden gedrukt (4a.6) (4a.7).

Plaats de bouten (7399) en moeren (7053) losjes in de dorpelbalken (7304/7306) zoals afgebeeld op (4a.3). In de onderste hoekbalken (7437/7438), de boutkoppen van (7052) in de boutkanalen van (7437/7438) aanbrengen. (4a.4).

Monteer de voorste balk (7444/7446) in de uitsparing in de hoekbalken (7337/7438) met behulp van bouten (7399) en moeren (7053) (4a.8) (4a.9).

Monteer de nokbalk (7434/7436) aan de uiteinden van de hoekbalken (7437/7438) (4a.10) (4a.11).

Monteer de diagonale balken (7312) in de voorkant. Losjes op de dorpel bevestigen met behulp van bout (7289). (7289) zal tijdens de beglazing worden verwijderd (paragraaf 7b).

Plaats het gemonteerde frame op de voorbereide fundering. Controleer of de kas waterpas staat en boor Ø6 gaten door de voorbereide gaten in (7304) en (7306).

Plaats muurpluggen (7421) in de gaten en verbindt die losjes met de fundering met behulp van schroeven (7411) (4a.12).

#### 4b. DAK

Monteer de middelste balken (7311) losjes tussen dorpel (7304/7306) en horizontale balk (7444/7446) (4b.1) (4b.2).

Monteer de middelste balken (7439) losjes tussen nok (7434/7436) en horizontale balk (7444/7446) (4b.2).

Monteer de dakhoekbalken (7432) (7433) op de hoek van de dakrand (4b.3) (4b.4). Zorg ervoor dat de dakhoekbalken correct zitten op de montagerand op de hoek van de dakrand (4b.9) en dat de kleine gaten aan de buitenkant van (7432/7433) zich bij het uiteinde van de dakrand bevinden (4b.3).

Verbind de dakhoekbalken (7432) (7433)

met de nok (7434/7436) en met de voorste hoekbalken (7437/7438) met behulp van plaat (7348) (4b.6).

Monteer de middelste balken van de zijkant (7346) en (7347) tussen de horizontale balken (7319/7320) en de dakhoekbalken (7432/7433) met behulp van plaat (7348) (4b.5).

Voer de bouten (7052) in de boutkanalen in de middelste balken van het dak (7426) op de dakrand en zak af naar de hoek van de dakrand (7314/7316) met behulp van afdichtring (7395) en moer (7053) (4b.7) (4b.8). Zorg ervoor dat (7426) correct op de montagehoek van de hoek van de dakrand zit (4b.9) en dat het kleine gat aan de buitenkant van (7426) zich aan het uiteinde van de dakrand bevindt.

Voer (7052) in het boutkanaal (7426) in aan de nok en verbind deze met de nok (7434/7436) (4b.10).

Stel het frame af totdat dit volledig rechthoekig en draai alle schroeven (7411) en (7412) en moeren (7053) aan. **Niet te vast aandraaien.**

Monteer de hoekbeugels (7331) tussen elke middelste balk van de zijkant (7311) en middelste balk van het dak (7426) door de afgekante boutkoppen (7399) in de boutkanalen te voeren (4b.11) (4b.12).

#### 5a. ZIJRAAM

Verbind de onderste balk van het raam (7451) met de zijbalken (7184) en (7185) (5a.2) (5a.3).

Schuif paneel D in de glassleuven (5a.5) in de gemonteerde delen (5a.4) (5a.5).

Bereid (7052) en (7053) losjes voor in de bovenste balk van het raam (7450) en schuif ze zover totdat (7184) en (7185) bij de schroefkoppen van (7052) passen en het glas in de glassleuven (5a.6) (5a.7).

Opmerking - Als u voor glas van 4 mm gekozen hebt, snij dan de afdichting van het glas (7420) op maat zodat deze in de glassleuven aan de binnenkant van het raam past om het glas op zijn plek te krijgen (5a.8) (5a.9).

Controleer of het zijraam haaks zit voordat u de bouten vastdraait.  
Niet te vast aandraaien.

Plaats de borstelafdichting (7457) in de geleiders van de boven- en zijbalken (7185) (7450) (7184) (5a.10), gebruik daarvoor 1 doorlopende lengte snij deze op maat.  
Opmerking - Als de borstelafdichting (7457) visueel stoort als het raam gesloten is (zie paragraaf 8a) kan deze korter worden geknipt (5a.10).

Verbind de raamopener (7090) met (7451) met behulp van sluitring (7413) en twee schroeven

(7349) (5a.11) (5a.12).

Plaats de plastic moerdopjes (6070) door ze op alle moeren (7053) (5a.13) te drukken.

#### 5b. BOVENSTE RAAM

Monteer alle onderdelen zoals in paragraaf 5a.

#### 6a. SCHUIFDEUREN

Installeer borstelrubber (7332) in de geleiders in de deurprofielen (7352) (7353) (7355) (7356) (7357) (6a.2) en snij het op lengte.

Monteer de wielen (7364), door middel van afstandsbusen (7392) aan weerszijde van het wiel, boutje (7393), clip (7350) en borgmoer (7360), losjes op de onderprofielen van de deur (7355) (6a.3).

Verbind (7355) met de zijprofielen van de deur (7357) of (7358) (6a.3) (6a.7a).

Monteer de middenprofielen van de deur (7354) of (7384) met borgonderdelen (7400), (7401) en (7402) door middel van boutjes (7404). Verbind met zijprofielen van de deur (7357) of (7358) d.m.v. boutjes (7052), moertjes (7053) en boutjes (7405) (6a.4) (6a.5) (6a.8). **Belast de boutjes (7404) en (7405) niet met teveel kracht.**

Verbind de bovenprofielen van de deur (7352) of (7353) met de zijprofielen van de deur (7357) of (7358) (6a.6) (6a.7b).

Schuif ruit G in de beglazingskanalen in de gemonteerde onderdelen (6a.9).

Prepareer (7052) en (7053) losjes in de zijprofielen van de deur (7356) en schuif ze op (7355), (7354) of (7384) en (7352) of (7353), terwijl de boutkoppen van (7052) in de boutkanalen en de beglazing in de beglazingskanalen (6a.9) (6a.10) worden gemonteerd. Installeer de deurgeleiders (2271) in de bovenkant van beide deuren (6a.6).

**N.B.** - Als u glasbeglazing van 4 mm hebt gekozen, snij dan het beglazingsprofiel (7420) op lengte en duw het in de ruimte in de beglazingskanalen aan de binnenkant van de deur om het glas op zijn plaats vast te zetten (6a.11).

#### 6b. DEURFRAME EN ONDERDORPEL

Monteer de deursteen (7362) op het kalffe in de deuropening d.m.v. boutjes (7390) (6b.1) (6b.2).

Kantel de rail van het deurwiel (7351) zodat deze in het kalffe past en laat deze op zijn plaats zakken (6b.3). Centreer op de deuropening en verbind met de fundering d.m.v. muurplug (2003) en schroef (2002)

(6b.4).

Verbind de zijframes van de deur (7361) met de middenprofielen (7311). Verbind deze na plaatsing met de bovenkant d.m.v. boutje (7052) en moertje (7053) (6b.5) - (6b.8).

Installeer onderaan een boutje (7052) in het kanaal aan beide kanten van de onderdorpel (7363) (6b.9) en schuif de onderdorpel op zijn plaats (6b.10) (6b.11).

## 7. OVERZICHT BEGLAZING

Sorteer a.u.b. de beglazing op afmeting en beglazingstype van uw model alvorens te beginnen. Als u glas hebt gekozen, dan zijn ruit E en F aan beide kanten identiek.

**N.B.** - De UV-bestendige kant van de polycarbonaat ruiten wordt aangegeven door de kunststoffolie of de bedrukking op de rand.

**Deze kant moet naar buiten zitten.** Maak vóór de montage de folie op alle randen van elke ruit ongeveer 2 cm los. Als de montage van alle ruiten klaar is, verwijder dan de folie helemaal van de ruiten.

### 7a. DAKBEGLAZING/DAKRAND

Schuif de dakbeglazing in de geleiders in de dakprofielen (7a.2) (7a.3). Als twee aan elkaar grenzende ruiten op hun plaats zijn, schroef dan de beglazingsaanslagen (7342) of (7343) op het dakprofiel ertussenin d.m.v. de voorbereide gaten en zelftappende schroeven (7349) (7a.4) (7a.5). De ruiten moeten naar beneden schuiven tot tegen deze aanslagen.

Buig het profiel van de zijkant (7324 / 7326) in de hoek van de zijkant (7a.6) en zet het omlaag tot tegen de hoek van de zijkant. Verbind het met de hoek van de zijkant d.m.v. boutjes (7052) aan de buitenkant en moertjes (7053) binnen de kas (7a.7).

Voer de afstandhouder voor de beglazing (7424) boven de binnenrand van de hoek van de dakrand (7a.9) en afstandhouder voor de beglazing (7425) boven de buitenrand van de nokbalk (7a.10). Zet de nokoplossing (7425) op zijn plek met behulp van schroef (7439) (7a.10).

Monteer de eindafdekking van de beglazing (7447/7449) aan de nok met behulp van bouten (7052) die in de boutkanalen van de dakbalk zijn geplaatst, en met moeren (7053) (7a.10). Plaats op hetzelfde moment de plastic eindkappen (7468) en (7469) zo dat die de open uiteinden van de dakhoekbalken (7432/7433) afdekken en zet ze vast achter de eindkap (7447/7449) (7a.10) (7a.11).

### 7b. ZIJBEGLAZING

Bepaal op dit punt in welke velden u de twee zijramen wilt monteren.

**Opmerking:** Dezen kunnen niet gemonteerd worden in een hoekveld of in velden die aan

de deuropening grenzen.

In deze velden worden dan de glaspanelen H gemonteerd in plaats van glaspaneel A.

Duw de glasafdichting (7382) in de bovengroef in elke (7381) en snij deze voor beide einden passend af.

Als de beglazing uit glas / ASP van bestaat, duw dan de glasafdichting (6090) op de aluminium profielen (7b.2) en snij deze op lengte.

**N.B.** - Er wordt geadviseerd om op alle horizontale glasgeleiders kleinere lengten van de afdichting (6090) in het midden van elk veld te gebruiken. Hierdoor kan condenswater dat zich in de kas ophoopt, ontwijken.

**N.B.** - Bij polycarbonaat is het glasrubber niet nodig.

Door plaatsing van de (7289) boutkop in de verschillende geleiders in de glasafdekking kan de kas met ruiten van  $\leq 4$  mm, 10 mm of 16 mm (7b.2) worden beglaasd.

Bereid bouten (7289) voor in elk voorbereid gat, (7b.3).

Prepareer voor beglazing van 10 mm 1 afstandsbus (7407), in he midden / aan de bovenkant van elke ruit A (7b.4).

Plaats elke glasruit A in het frame en verbind de verticale afdekkingen (7372) of (7373) losjes met moeren (7053) (7b.3).

Til ruit A 15 mm op en verbind de afdekkingen (7381) losjes onder de ruit (7b.3).

Prepareer voor beglazing van 10 mm 4 afstandsbusen (7409) op elk (7319), (7320) en (7444 / 7446) (2 afstandsbusen voor elke ruit E, F en J) (7b.5) (7b.6).

Plaats ruit E, F en J.

Verbind afdekking (7442) of (7443) en daarna (7379) / (7470) of (7380) / (7471) losjes.

**Opmerking** - Voor polycarbonaat beglazing voert u afstandhouders (7467) in de groef in de eindkappen (7468) of (7469) afhankelijk van de dikte, 10mm = 1 (7467), 16mm = 2 (7467). De kappen (7442) en (7443) zullen deze dan onder drukt zetten waardoor de eindkappen (7468) en (7469) op hun plaats blijven zitten.

Draai alle moertjes vast. **Belast deze niet met teveel kracht bij het aandraaien.**

**N.B.** - De verticale afdekking kan het best worden gemonteerd als de bovenste bout het eerst in het gat wordt geïnstalleerd, daarna de middelste en ten slotte de onderste bout. Zorg ervoor dat de afdekking contact blijft houden met het kalfje.

### 8a. MONTAGE ZIJRAAM

Verwijder de moeren (7053) van de bovenste twee boutbevestigingskappen

(7372) in de middenbalken (7311) naast de vensteropening.

Bereid (7053) en (7399) losjes voor in het laagste gat in de zijframes (7197) en (7198) (8a.1) van de ramen.

Draai de zijframes van de ramen (7197) en (7198) op de middenbalken (7311) boven glaspaneel H (8a.2) en maak de bovenste dopmoer (7053) (8a.3) (8a.4) opnieuw vast.

Bereid (7053) en (7399) losjes voor in het onderste gat in dorpelbalk van het raam (7452). Draai ze in positie zodat ze het glaspaneel H afdekken waarbij de middelste dopmoer in het bovenste gat past aan beide kanten van (7452) (8a.5).

Maak de middelste dopmoer (7053) (8a.6) opnieuw vast.

Monteer met behulp van schroeven (7088) het raamscharnier (7190) aan de zijframes (7197) en (7198) (8a.7) van het raam. **Opmerking:** Alleen verbinden met behulp van de voorbereide lange gaten in het scharnier.

Monteer het voorbereide zijraam (zie paragraaf 5a) tussen de twee raamscharnieren (7190) met behulp van schroeven (7088).

**Opmerking:** Alleen verbinden met behulp van de voorbereide lange gaten in het scharnier.

Sluit het raam en controleer dat het sluit over de dorpelbalk (7452) zonder hiermee contact te maken. De raamhoogte kan worden aangepast met behulp van de lange gaten in scharnier (7190) en als deze op maat is, vastgezet worden door extra schroeven in de andere gaten te plaatsen.

Plaats raamvergrendelingen (6056) op de dorpelbalk (7452) met behulp van schroeven (7403) (8a.9).

Plaats ze door de lange gaten in de raamopener (7090) uit te lijnen als het raam gesloten is (8a.10).

Als het raam gesloten is, kan de raamopener (7090) vergrendeld worden op beide (6056) om het raam gesloten te houden (8a.10).

**Opmerking** - Als de borstelafdichting (7457) in de bovenste raambalk (7450) visueel stoort als het raam gesloten is kan deze korter worden geknipt, zie details (5a.10).

Herhaal dit voor het andere raam.

### 8b. MONTAGE BOVENSTE RAAM

Verwijder de moeren (7053) van de twee bouten die de kappen (7440) en (7441) in de hoekbalk (7437/7438) en de middelste balk (7439) naast de raamopening (8b.1).

Draai de zijframes (7188) en (7189) naar de voorbereide bouten (8b.1) (8b.2) en verbind de moeren van de kappen (7053) (8b.3) (8b.4).

Plaats (7053) en (7399) losjes in de gaten in de dorpelbalk van het raam (7462). Draai deze op zijn plaats waarbij de kop van

(7399) in de binnenkant van het boutkanaal van de horizontale balk (7444.7446) wordt gemonteerd (8b.5) (8b.6).

Monteer met behulp van schroeven (7088) het raamscharnier aan de zijframes van het raam (7188 ) en (7189) (8b.7) **Opmerking:** Alleen verbinden met behulp van de voorbereide lange gaten in het scharnier.

Monteer met behulp van schroeven (7088) het voorbereide zijraam (zie paragraaf 5b) tussen de twee raamscharnieren (7190).  
**Opmerking:** Alleen verbinden met behulp van de voorbereide lange gaten in het scharnier.

Sluit het raam en zorg ervoor dat het sluit boven de dorpelbalk (7462) zonder aan te lopen. De raamhoogte kan worden aangepast met behulp van de lange gaten in het scharnier (7190 en indien juist gemonteerd door extra schroeven in de andere gaten te plaatsen.

Monteer de raamvergrendelingen (6056) met behulp van schroeven (7403) op de dorpelbalk (7462) (8b.9).

Bepaal de plaats door ze uit te lijnen met de lange gaten in de raamopener (7090) als het raam gesloten is. (8b.10).

Wanneer het raam gesloten is kan de raamopener (7090) worden vastgezet op beide (6056) als het raam gesloten is. (8b.10).

**Opmerking** - Als de borstelafdichting (7457) boven de toprand van (7460) uitsteekt als het raam gesloten is, kan deze worden afgeknipt, zie afbeelding (5b.10).

(11500) Herhalen voor het andere raam.

## 9. LAATSTE STAPPEN

Installeer kunststof voor de zijkant (7370) en (7371) in beide uiteinden van het zijkantprofiel (7324 / 7326) (9.1) (9.2).

**N.B.** - Het kan nuttig zijn om het zijkantprofiel aan de bovenrand voorzichtig weg te trekken van de kas zodat de opening voor de kunststof groter wordt.

Installeer een platkopbout (1412) in het boutkanaal aan de onderkant van het hoekprofiel (7310) en verbind onderdeel (1405) en (1409) aan beide kanten (9.3) met een aluminium moertje (1002). Installeer de kniebocht (1402) op de onderkant van elke pijp (1415) (9.6) en verbind deze met de kunststof van de zijkant (7370) of (7371) (9.9). Installeer de klem van de valpijp (1403) rond de valpijp en verbind deze met (1409) (9.4). Installeer schroef (1006) om de valpijp op zijn plaats te fixeren (9.5).

Monteer deurrail (7359) in de deuropening. Verbind deze met (7444/7446) door de bouten (7052) in het boutkanaal aan de buitenkant van deze balken in te voeren en ze vast te

zetten met moeren (7053) (9.7).

Installeer aan beide kanten van het deurrailprofiel (7359) een boutje (7052) aan de buitenkant en een moertje (3002) binnen de deurgeleider om te voorkomen dat de deur uit de rail (9.7) (9.8) schuift.

Plaats de deuren door de kunststof deurgeleiders (2271) in de geleider in het deurrailprofiel (7359) (9.9) (9.10a) te plaatsen en laat dan de wielen op de deurrail op profiel (7351) (9.10b) zakken. Haak de deurclips (7350) onder de lip op (7351) en draai de borgmoeren (7360) (9.10b) vast.

Monteer de kunststof moerdoppen (6070) door ze op alle zichtbare moertjes (7053) binnen de kas (9.11) te duwen.

## AFWERKING

Desgewenst kan de kas aan de randen verder worden afgedicht met neutrale siliconenkit. Silicone is niet voor dit doel inbegrepen.

Plaats het waarschuwingslabel aan de binnenkant van de kas.

Controleer a.u.b. twee weken na het voltooiën van de montage of alle moertjes en boutjes vastzitten.

Er is een compleet assortiment kasaccessoires beschikbaar bij uw leverancier om dit product ten volle te benutten. Informeer a.u.b. naar de mogelijkheden.

## VEILIGHEIDSRREGELS

Klim niet op de dakvlakken. Er bestaat gevaar voor vallen.

Sluit bij zware wind altijd de deuren en alle ramen.

Houd bij zware sneeuwval het dak van de kas vrij of zorg voor een goede ondersteuning van het dak. Verwarm de kas in de winter.

## COMMENTAAR

Voor de gehele bescherming van uw nieuwe kas raden wij u aan om deze op te nemen in uw **opstalverzekering**. Denk er ook aan dat de kas aan alle bouweisen moet voldoen en houd ook rekening met de plaats van de kas. Plak alstublieft de inbegrepen sticker van het kasmodel op het deurprofiel (7353) of (7353) nadat de kas succesvol is geïnstalleerd. Deze informatie is belangrijk voor het vervangen van onderdelen in de toekomst.

Bewaar deze montage-instructies op een veilige plek zodat u deze nog altijd kunt nalezen.

Ons beleid is gebaseerd op het continu verbeteren van onze producten en hierdoor behouden wij ons het recht voor om modellen

te veranderen zonder verdere berichtgeving.

## 1. LÆS VENLIGST DENNE VEJLEDNING, INDEN DE GÅR I GANG MED AT SAMLE DERES DRIVHUS.

- De bør **altid** bruge handsker, hjelm og sikkerhedsbriller, når De arbejder med polycarbonat eller glas. Der kan også forekomme skarpe kanter på hjørner og kanter af aluminiumsprofiler. Itugået glas udgør en sikkerhedsrisiko. Fjern straks eventuelle glasskår under agtpågivenhed. Her bør De også bære handsker.
- Produktet er konstrueret som et drivhus beregnet til planteavl og er som sådan ikke konstrueret til at være helt tæt, da det er nødvendigt med udluftning bl.a. for at undgå kondensdannelse. Såfremt De ønsker at anvende drivhuset som et "uderum/stue" eller lign., gør vi udtrykkeligt opmærksom på, at drivhuset ikke er 100 % vandtæt, og vi påtager os ikke noget ansvar for eventuelle skader på løsøre el. lign., der er anbragt i drivhuset.
- Til montage af dette produkt kræves 2 personer.
- Ved anvendelse af trappestige bør stigen under brug sikres af en person.
- Skulle De få problemer med drivhusmontagen eller glasisætning, er De velkommen til at kontakte OPJ A/S eller Deres forhandler.
- Drivhuset bør gøres forsvarligt fast til undergrunden.

**Anvend ikke vold!**

Vi ønsker Dem god arbejdslyst og håber, at De får rigtig mange gode stunder med og i Deres Vitavia drivhus.

**Når De har læst denne vejledning opfordrer vi Dem til at besøge [www.vitavia.dk](http://www.vitavia.dk), hvor De kan finde gode råd, downloade vejledninger og desuden se instruktionsvideoer, der viser samling af Vitavia drivhuse.**

## MONTAGEVEJLEDNING

## PLACERING

Vælg et solrigt sted, hvor der er mest muligt læ.

## VIGTIGT

Før De begynder at samle Deres drivhus/udestue, kontroller venligst efter indholdsfortegnelsen, at alle dele er medleveret. Tag de enkelte bundter ud af kassen for bedre at kunne kontrollere indholdet.

Det er vigtigt ikke at blande de åbnede bundter.

Hvis der mangler noget, kontakt venligst Deres forhandler.

**Vigtigt!** Den UV-bestandige side på polycarbonatpladerne er markeret med en folie. Denne side skal vende udad. Fjern folien før montage.

Det anbefales at anvende den medfølgende tube silikone til at tætnede drivhuset yderligere. Det er vist i illustration (4b.7), (4b.8), (7a.6) og (7a.8), hvor silikonen skal anvendes. Bemærk: Ved illustration (7a.6) og (7a.8) skal der lægges en silikonestreng i hele profilens længderetning.

## NØDVENDIGT VÆRKTØJ

Skruetrækker (stjerne PH2 og PZ2)

Akkuboremaskine med moment

Gummihammer

1x10 mm fastnøgle.

1x10 mm gaffelnøgle

1 målebånd/tommestok

1 vinkel

1 vaterpas

1 hobbykniv

1 skævbider

2 trappestiger 1,80 m.

## VEDLIGEHOLDELSE

Drivhuset bør lejlighedsvis rengøres grundigt med et mildt rengøringsmiddel. Glasset kan rengøres med et hvilket som helst rengøringsmiddel, der ikke skader aluminiumsprofiler eller kunststof.

Dørskinnerne bør regelmæssigt rengøres og smøres med stearin/grafitolie.

## 0. FUNDAMENT

**Vigtigt!** Anvend en stor vinkel og et vaterpas til at kontrollere, at soklen er vandret, og alle vinkler skal være 90°. Dette kan også kontrolleres ved at krydsmålene er ens som vist på tegning 0.

Vi anbefaler, at drivhuset anbringes på et solidt fundament.

Ønsker De selv at bygge et sten- eller betonfundament, følg da dimensionerne, som er vist i afsnit 0. Materialer til dette indgår ikke i leve-rancen.

Døren kan monteres på en hvilken som helst side af drivhuset. Bemærk den ønskede dørposition, og forbered fundamentet som vist, V1 - V4.

Ved støbning af fundament bør dette gå ned i frostfri dybde. Derved reduceres risikoen for, at der opstår skader på huset som følge af frostpåvirkninger af jorden.

**NB!** Støbning/fastgørelse til undergrunden er i mange tilfælde et krav fra forsikringselskaber for at opnå forsikringsdækning på drivhuset. Vi anbefaler, at De kontakter Deres forsikringselskab for at høre om reglerne, der er gældende hos Deres selskab.

**Alle tegninger af drivhuset er set indefra, undtagen de tegninger, hvor der er bølget ramme udenom. Disse er set udefra.**

## 1. BAGSIDE

**NB!** Hvis døren skal placeres i husets front, skal De undlade at montere en af de lodrette profiler (7311) markeret med ①.

Klem tætningsliste (7396) fast på bundlisten/dørtrinnet (7304 / 7306) og tilpas længden i begge ender med en hobbykniv, se (1.1) og (1.2).

Placér delene på jorden i henhold til modeltegning 11500 og bolt dem løst sammen ved at anbringe bolte (7052) i profilsporene som vist på (1.3).

Sørg omhyggeligt for, at vinklerne på tagremmen (7314 / 7316) placeres korrekt i hjørnerne på begge hjørnestolper (7310), se (1.3) og (1.4), og at hjørnestolperne (7310) og midterprofilerne (7311) støder an mod monteringsflangen på tagremmen, som vist i den stiplede cirkel på (1.9) og (1.12).

Fastgør skråstiverne (7312) på begge sider, se (1.3), (1.4), (1.10) og (1.11). Skråstiverne monteres løst til bundskinnen med bolt (7289).

## 2. GAVL L

**NB!** Hvis døren ønskes placeret i denne side, skal De undlade at montere den midterste sideprofil (7311) markeret med ①.

Klem tætningsliste (7396) fast på bundlisten (7304) og tilpas længden i begge ender med en hobbykniv (2.1) og (2.2).

Placer alle delene på jorden og bolt dem løst sammen ved at anbringe bolte (7052) i

profilsprene som vist på (1.3).  
Overligger (7319) skubbes ind i udlinkningen på hjørneprofil (7437) og fastspændes med bolt (7052) og møtrik (7053), se (2.3) og (2.4).  
Bundprofil (7304) fastgøres til hjørnestolpe (7437) med bolt 7052) og møtrik (7053), se (2.5) og (2.6).

Monter de midterste lodrette profiler (7311), se (2.7) og (2.8).

Fastgør skråstiverne (7312), se (2.3), (2.4), (2.9) og (2.10). Skråstiverne monteres løst til bundskinnen med bolt (7289).

### 3. GAVL R

**NBI:** Hvis døren ønskes placeret i modsatte gavl eller i fronten, skal den midterste sideprofil (7311) markeret med ① monteres i denne side ①b.

Saml alle dele som beskrevet under sektion 2.

### 4a. SAMLING OG MONTERING AF ELEMENTERNE

Klem tætningsliste (7396) fast på bundlisten/dørtrinnet (7304 / 7306) og tilpas længden i begge ender med en hobbykniv, se (4a.1) og (4a.2).

For at samle de tidligere forberedte sideelementer monteres løst bolte (7399) og møtrikker (7053) i bundlister (7304) som vist i (4a.3).  
Monter hjørnestolper (7310) ved at lade profilsprene på (7310) glide ned over hovederne på bolte (7052) som vist på (4a.4).

Fastgør skråstiverne (7312) på begge sider, se (4a.5). Skråstiverne monteres løst til bundskinnen med bolt (7289).

Forbind overligger (7319) og (7320) med hjørnestolperne ved hjælp af bolte (7399) og møtrikker (7053) således, at de støder an mod tagremmen i fronten (4a.6) (4a.7).

Monter løst bolte (7399) og møtrikker (7053) i bundskinnerne (7304 / 7306) som vist i (4a.3).

Sænk hjørnestolper (7437/7438) så de glider ned over hovederne på bolte (7052) i sporene på (7437 / 7438) som vist på (4a.4).

Monter frontrem (7444 / 7445) i udlinkningen på hjørnestolperne (7337 / 7438) ved hjælp af bolte (7399) og møtrikker (7053), se (4a.8) og (4a.9).

Monter bagremmen (7434 / 7436) på hjørnestolpe (7437 / 7438), se (4a.10) og (4a.11).

Monter skråstivere (7312) i fronten. Monter kun løst til bundskinnen ved hjælp af bolt (7289). Bolt (7289) skal fjernes igen, når glassene skal isættes (afsnit 7b).

Anbring det samlede stel på det forberedte fundament. Kontroller at stellet er i lod og vater

og bor Ø6 huller gennem de forborede huller i (7304) og (7306). Anbring murpløkker (7421) i de boede huller og spænd stellet løst fast til fundamentet ved hjælp af skruer (7411), se (4a.12).

### 4b. TAG

Monter løst de mellemste sideprofiler (7311) mellem bundprofil (7304 / 7306) og den vandrette rem (7444 / 7446), se (4b.1) og (4b.2).

Monter løst mellemp profiler (7439) mellem overligger (7434 / 7436) og rem (7444 / 7446), se (4b.2).

Monter taghjørneprofilerne (7432) (7433) oven på tagremsvinklen (4b.3) (4b.4). Sørg for, at taghjørneprofilerne sidder korrekt og støder an mod forhøjningen yderst på tagremmen (4b.9) og at de små huller på ydersiden af gavprofil (7432/7433) er ved husets front (4b.3).

Forbind taghjørneprofilerne (7432) (7433) med tagrem (7334 / 7336) og med forreste hjørnestolper (7437 / 7438) ved hjælp af beslag (7348), se (4b.6).

I siderne forbindes de lodrette mellemp profiler (7346) og (7347) til de vandrette profiler (7319 / 7320) og til taghjørneprofilerne (7432 / 7433) ved hjælp af beslag (7348), se (4b.5).

Monter bolt (7052) i sporet på de mellemste tagprofiler (7426) ved forreste tagrem og sænk dem ned og fastgør dem på tagremmen ved hjælp af skive (7395) og møtrik (7053), se (4b.7) og (4b.8). **NBI!** Bemærk brug af silikone som tætning, se (4b.7) og (4b.8)

Sørg for, at profil (7426) sidder korrekt og støder an mod forhøjningen yderst på tagremmen (4b.9) og at det lille hul på ydersiden af (7426) er ved husets front.

Monter bolt (7052) i sporet på (7426) ved bagerste tagrem og forbind med tagremmen (7434 / 7436), se (4b.10).

Justér stellet indtil det er retvinklet og i lod og vater og spænd alle skruer (7411) og (7412) og møtrikker (7053). **Undgå at overspænde!**

Monter afstivere (7331) mellem de mellemste sideprofiler (7311) og de mellemste tagprofiler (7426) ved hjælp af bolte med tilfiede hoveder (7399), se (4b.11) og (4b.12).

### 5a. SIDEVINDUER

Saml vinduets bundprofil (7451) med de to sideprofiler (7184) og (7185), se (5a.2) og (5a.3).

Lad glas D glide ind i sporene (5a.5) på de samlede dele (5a.4) (5a.5).

Sæt bolt (7052) og møtrik (7053) løst i vinduets toppprofil (7450) og pres topprofilen ned over sideprofilerne (7184) og (7185), således at bolthovederne glider ind i boltsprene, og glaspladen glider ind i sporene til glas, som vist i (5a.6) og (5a.7).

Tilskær glasliste (7420) og pres denne ind i glassprene på vinduets inderside for at holde glasset på plads (5a.8) (5a.9).

Sørg for, at alle vinkler er rette, inden møtrikkerne i vinduet spændes.

**Spænd møtrikkerne – men uden at overspænde!**

Skub tætningsliste (7457) ind i sporet på toppprofil (7450) og sideprofilerne (7184) og (7185), se (5a.10) og skær overskydende tætningsliste af med en hobbykniv.

**NBI!** Hvis tætningsliste (7457) er for synlig, når vinduet lukkes (se afsnit 8a), kan den trimmes kortere med en saks (5a.10).

Monter udskyderstangen (7090) på vinduets bundprofil (7451) ved hjælp af afstandsplade (7413) og to skruer (7349), se (5a.11) og (5a.12).

Sæt plastic dækpropper (6070) på alle møtrikker (7053), se (5a.13).

### 5b. VINDUER

Saml alle dele som beskrevet under sektion 5a.

### 6a. SKYDEDØRE

Skub tætningsliste (børste) (7332) ind i sporet på dørprofilerne (7352), (7353), (7355), (7356) og (7357), se (6a.2) og tilpas tætningslisterne i længden.

Anbring en afstandsbojsning (7392) på hver side af dørhjulet (7392). Monter derefter dørhjul (7364) løst på den nederste dørprofil (7355) ved hjælp af bolt (7393), vinkelbeslag (7350) og låsemøtrik (7360) (6a.3).  
Spænd nederste dørprofil (7355) sammen med inderste lodrette dørprofil (7357) eller (7358), se (6a.3) og (6a.7a).

Monter låsedelene (7400), (7401) og (7402) på mellemste dørprofil (7354) eller (7384) ved hjælp af bolte (7404).  
Monter midterste dørprofil på den lodrette dørprofil (7357) eller (7358) ved hjælp af bolte (7052), møtrikker (7053) og bolte (7405), se (6a.4), (6a.5) og (6a.8).

**Spænd bolte (7404) og (7405) – men uden at overspænde!**

Øverste vandrette dørprofil (7352) eller (7353) boltes på de inderste dørprofiler (7357) eller (7358), se (6a.6) og (6a.7b).

Lad glas/polycarbonatplade G glide ind i sporene på de samlede dørprofiler (6a.9).

Når yderste dørprofil (7356) skal monteres, gøres dette lettest, når de allerede samlede dele vendes som vist på (6a.9).  
Monter løst bolt (7052) og møtrik (7053) i yderste dørprofil (7356) og lad (7356) glide ned over (7355)

og (7354) eller (7384) og (7353) således at bolthovederne kører i boltsporet og glasset glider i glassporet som vist i ((6a.9) og (6a.10)). Monter dørstyr (2271) øverst i begge døre, se (6a.6).

**NB!** Tilskær glasliste/gummiliste (7420) og klem denne ned i mellemrummet i glassporene på dørglassenes inderside for at fiksere glasset, se (6a.11).

## 6b. DØRRAMME OG DØRTRIN

Monter dørstøtte (7362) på bundskinne (7302) ved hjælp af bolte (7390), se (6b.1) og (6b.2).

Vip dørskinne (7351) så den griber fat i profileringen på bundskinnen (7302) og sænk den ned på plads (6b.3). Centrér i forhold til døråbningen og fastgør til fundamentet ved hjælp af murpløk (2003) og skrue (2002), se (6b.4).

Anbring siderne af dørrammen (7361) på de mellemste sideprofiler (7311). Derefter fastgøres dørrammen til tværligger (7444 / 7446) ved hjælp af bolt (7052) og møtrik (7053), se (6b.5) – (6b.8).

For neden anbringes en bolt (7052) i sporet på begge sider af dørtrinnet (7363), se (6b.9) og skub dørtrinnet på plads (6b.10) og (6b.11).

## 7. GLASPLAN – OVERSIGT

Sorter glas og polycarbonat i overensstemmelse med modelstørrelse og valg af dækmateriale før isætning af glas/polycarbonat påbegyndes.

**Vigtigt!** Den UV-bestandige side på polycarbonatpladerne er markeret med en folie. Denne side skal vende udad. Løsn de yderste ca. 2 cm hele vejen rundt, så folien let kan fjernes efter isætning. De skal lade folien sidde under montering, da det ellers er umuligt at afgøre med det blotte øje, om pladen vender den rigtige side udad. Fjern folien, når alle plader er sat i.

### 7a. MONTERING AF POLYCARBONAT I TAGET

**NB! BEMÆRK VENLIGST OVENNÆVNTE SIKKERHEDSFORANSTALTNINGER.**

Skub polycarbonatpladerne til taget ind i sporene på tagpladerne (7a.2) og (7a.3). Når to tilstødende plader er på plads, monteres tagpladestop (7342) eller (7343) på tagprofilen imellem dem ved isætte de selvskærende skruer (7349) i de forberedte huller, se (7a.4) og (7a.5). Polycarbonatpladerne skal glide ned og have anslag mod tagpladestopperne.

Vip tagafslutningsprofilen (7324 / 7326) så den hængsler på tagremmen (7a.6) og vip den ned, så den støder an mod tagremmen. **NB!** Bemærk brug af silikone som tætning ved illustration (7a.6) og (7a.8). **Der skal lægges**

**en silikonestreg i hele profilens længde.**

Spænd derefter (7324 / 7326) fast på tagremmen ved hjælp af bolte (7052) udvendigt fra og møtrikker (7053) indvendigt fra (7a.7).

Spænd den fast på tagremmen ved hjælp af bolte (7052) udvendigt fra og møtrikker (7053) indvendigt fra (7a.7).

Anbring afstandsstykke (7424) på den indvendige kant på tagremmen (7a.9) og anbring afstandsstykke (7425) på den indvendige kant af murremmen (7a.10). Ved murremmen fastgøres afstandsstykke (7425) med skrue (7349), se (7a.10).

### 7b. MONTERING AF GLAS I SIDERNE

Inden næste skridt tages, skal det besluttes i hvilke felter, de tre ventilationsvinduer skal sidde.

**NB!** Vinduerne kan ikke anbringes i et felt, der grænser op til et hjørne eller til dørpartiet.

I de felter, hvor der anbringes et vindue, monteres glas H i stedet for glas A.

Tryk tætningsliste (7382) fast på hver af de lodrette sideprofiler (7381) som vist i cirklen og skær til med en hobbykniv i begge ender.

Tryk glasliste (6090) fast på aluminiumsprofilerne (7b.2). Tilpas længden på glaslisten med en hobbykniv. **NB!:** Det anbefales ikke at lade glaslisten gå helt ud til siderne på de vandrette profiler, derved opnås større luftcirkulation med mindre kondensdannelse til følge.

**OBS!:** Såfremt De har valgt en model med polycarbonatbeklædning skal der ikke anvendes glaslister.

Hovedet på bolt (7289) kan skubbes ind i tre forskellige spor på dæklisterne som vist på (7b.2). Dette giver mulighed for at anvende enten ≤ 4 mm glas, 10 mm og 16 mm polycarbonatplader som dækmateriale. Forbered bolte (7289) i hvert forberedte hul (7b.3).

Ved 10 mm plader anbringes 1 afstandsstykke (7407) foroven i midten af hver plade type A (7b.4). Anbring alle plader type A og H i stellet og monter løst de lodrette dæklister (7372) eller (7373) løst med bolte (7053) (7b.3).

Løft rude A og H 15 mm så der er plads til at skubbe dæklisterne ind i styresporene på bundlisten og forbind derefter løst dæklisterne (7381) under ruden (7b.3).

Ved 10 mm plader anbringes 4 afstandsstykker (7409) på overligger (7319), (7320) og (7444 / 7446) – 2 afstandsstykker til hver rude E, F og J, se (7b.5) og (7b.6).

Isæt rude E, F og J.

Forbind løst dæklister (7442) og (7443) og derefter (7379) / (7470) eller (7380) / (7471).

**Spænd alle møtrikker – men uden at overspænde!**

**Tip:** Det er lettest at montere de lodrette dæklister, hvis man starter med skubbe den øverste bolt gennem hullet og derefter den midterste og endelig den nederste. Sørg for, at dæklisten slutter tæt mod bundlisten.

### 8a. SAMLING AF SIDEVINDUER

Fjern møtrik (7053) fra de to øverste bolte, der holder dæklisterne (7372) på mellemprofilerne (7311) ved siden af vinduesåbningen. Klargør (7053) og (7399) i det nederste hul i vinduets sideprofiler (7197) og (7198), se (8a.1).

Drej vinduets sideprofiler (7197) og (7198) mod mellemprofilerne (7311) oven over glasstykke H (8a.2) og genmonter møtrikkerne (7053), der holder dæklisterne (8a.3) (8a.4).

Klargør løst (7053) og (7399) i det nederste hul i vindueskarmen (7452). Drej denne, så den dækker glasstykke H således, at den mellemste bolt fra dæklisten rammer det øverste hul på begge sider af (7452), se (8a.5).

Genmonter den mellemste dæklistemøtrik (7053), (8a.6).

Anvend skruer (7088) til at fastgøre vindueshængsel (7190) på vinduets sideprofiler (7197) og (7198), (8a.7).

**NB!** Det er vigtigt kun at anvende de forberedte huller i hængslet.

Monter det forsamlede sidevindue (se afsnit 5a) mellem de to vindueshængsler (7190) ved hjælp af skruer (7088).

**NB!** Anvend kun de forstansede huller i hængslet.

Luk vinduet og sørg for, at det lukker over vindueskarmen (7452) uden at røre denne. Vinduet kan højdejusteres ved at anvende de aflange huller i hængslet (7190). Når vinduet er i korrekt position monteres skruer i de øvrige huller.

Monter vinduespløkker (6056) på underkarmen (7452) ved hjælp af skruer (7403), (8a.9). Placeringen findes ved lukke vinduet (8a.10) og markere de aflange huller på udskyderstangen (7090). Når vinduet er lukket kan udskyderstangen (7090) haspes på begge pløkker (6056) og holde vinduet fastlukket (8a.10).

**NB!** Hvis tætningsliste (7457) er for synlig, når vinduet lukkes, kan den trimmes kortere med en saks, se detaljetegning (5a.10).

Gentages for det andet vindue.

## 8b. SAMLING AF VINDUER OVER DØRENE

Fjern møtrik (7053) fra de to øverste bolte, der holder dæklisterne (7440) og (7441) på hjørneprofilerne (7437 / 7438) og på mellemprofilerne (7439) ved siden af vinduesåbningen, se (8a.1).

Drej vinduets sideprofiler (7188) og (7189) så de passer på de klargjorte bolte (8b.1) (8b.2) og genmonter møtrikker (7053), se (8b.3) (8b.4).

Monter løst (7053) og (7399) i hullerne i vindueskarmen (7462). Drej den på plads, så hovedet på (7399) passer ind i sporet på den vandrette profil (7444 / 7446), se (8b.) (8b.6).

Ved hjælp af skruer (7088) monteres vindueshængsel (7190) på vinduets siderammer (7188) og (7189), se (8b.7).

**NB!** Benyt kun de forstansede huller i hængslet. Monter det forsamlede sidevindue (se afsnit 5b) mellem de to vindueshængsler (7190) ved hjælp af skruer (7088).

**NB!** Anvend kun de forstansede huller i hængslet.

Luk vinduet og sørg for, at det lukker hen over vindueskarmen (7462) uden at røre denne. Vindueshøjden kan justeres ved at bruge de aflange huller i hængslet (7190). Når placeringen er korrekt fastgøres det ved hjælp af ekstra skruer i de andre huller.

Monter vinduespløkkerne (6056) på vindueskarmen (7462) ved hjælp af skruer (7403), se (8b.9). Placer dem, så de passer ind i de aflange huller i udskyderstangen (7090), når vinduet er lukket, se (8b.10). Ved at lade udskyderstangen (7090) glide ned over begge vinduespløkker, kan udskyderstangen holde vinduet lukket, (8b.10).

**NB!** Hvis tætningslisten (7457) er for lang og stikker ud foroven på (7460), kan den tilpasses i længden med en saks eller en hobbykniv.

(11500) Gentages for det andet vindue.

## 9. SIDSTE TRIN

Skub plastic studs til nedløbsrør (7370) og (7371) ind i begge ender af tagrenden (7324 / 7326), se (9.1) (9.2).

**Tip:** Det kan være en hjælp forsigtigt at trække tagrendeprofilen lidt væk fra huset, så åbningen til indpresning af studsen til nedløbsrøret bliver større.

Indsæt en bolt med tilfilet hovede (1412) i bunden af boltsporet i hjørnestolpe (7310) og monter bøsning (1405) og beslag (1409) med møtrik (1002), se (9.3).

Klem bøjning (1402) fast på nederste del af nedløbsrøret (1415), se (9.6), og klem derefter røret op omkring studsen til nedløbsrøret (7370) eller (7371), se (9.9).

Klem beslag (1403) fast rundt om nedløbsrøret og pres derefter (1403) således, at klem-

beslaget får greb i flangen på beslag (1409), se (9.4).

Isæt skrue (1006) til fastholdelse af nedløbsrøret, se (9.5).

Monter dørskinden (7359) over døråbningen. Dørskinden monteres på overligger (7444 / 7446) ved at anbringe bolte (7052) i boltsporet på ydersiden af overliggerne og spænde sammen med møtrikker (7053), se (9.7).

For at undgå, at dørene kører ud af dørskinden (7359), monteres udvendigt en bolt (7352) og indvendigt en møtrik (3002) i dørstyret, se (9.7) og (9.8).

Løft dørene på plads, således at plastic dørstyrene (2271) går ind i sporet på dørskinden (7359), se (9.9) og (9.10a). Sænk derefter døren, således at dørhjulet (7364) glider ned over vulsten på dørskinden (7351), se (9.10b).

Klem vinkelbeslag (7350) fast under den lille flange på vulsten på dørskinden (7351) og stram låsemøtrikkerne (7360), se (9.10b).

Sæt plasticdækpropper (6070) på alle synlige møtrikker (7053) inde i drivhuset (9.11).

## FÆRDIGGØRELSE

Hvis De ønsker at tætte hjørner og samlinger kan dette gøres med silikone (ikke inkluderet). Vær dog opmærksom på, at jo tættere huset er, jo mere kondens vil der blive dannet.

Den vedlagte selvklæbende identifikationsetiket kan med fordel anbringes indvendigt i drivhuset – f.eks. indvendigt på (7352) eller (7353) eller lign. Oplysningerne på etiketten vil gøre det meget lettere for Dem at fremskaffe reservedele, såfremt dette skulle blive aktuelt.

Ca. 2 uger efter færdiggørelse kontrolleres det, at alle møtrikker er spændt korrekt.

## SIKKERHEDSANVISNING

**Brug arbejdshandsker**, da nogle af delene kan have skarpe kanter. Ligeledes bør sikkerhedshjelm og sikkerhedsbriller anvendes under montagen.

Du må ikke klatre op på tagfladerne. Der er fare for at falde ned.

I tilfælde af stærk blæst eller storm: Luk alle oplukkede vinduer og døre, afmonter om nødvendigt eventuelle automatiske vinduesåbnere. Se endvidere vor hjemmeside [www.vitavia.dk](http://www.vitavia.dk), hvor De finder gode råd til forebyggelse af stormskader.

I tilfælde af stormskade kan der være mange

glasstumper, som skal fjernes med stor forsigtighed for at undgå personskader.

I tilfælde af kraftigt snefald: Ryd drivhusets tag for sne og træf passende foranstaltninger til at understøtte taget f.eks. med en stolpe el. lign.

## ANMÆRKNINGER

Vi anbefaler, at De sørger for, at Deres husforsikring også dækker Deres drivhus.

Overhold alle byggevedtægter. Kontakt Teknisk Forvaltning i Deres kommune, hvis De er i tvivl.

Vi forbeholder os ret til uden varsel at foretage løbende produktjusteringer. På vor hjemmeside [www.vitavia.dk](http://www.vitavia.dk) vil De altid kunne downloade den nyeste manual, som derfor kan afvige lidt fra Deres produkt. Manualens udgave kan identificeres ved hjælp af den talkode, der er trykt nederst på hver side i manualen. På hjemmesiden kan De også læse mere om vort store udvalg i tilbehørsartikler.

Alle målangivelser er ca.-mål.

Typebetegnelsen skal De bruge ved bestilling af evt. reservedele, så venligst opbevar montagevejledningen til senere brug.

Vi ønsker Dem god arbejdslyst og håber, at De får rigtig mange gode stunder med og i Deres Vitavia drivhus.

## Disposizioni di sicurezza

- 1. LEGGERE COMPLETAMENTE LE PRESENTI ISTRUZIONI DI MONTAGGIO PRIMA PRIMA DI INIZIARE I LAVORI!!**
- Durante il maneggio di vetro, pannelli di policarbonato o componenti di serre si raccomanda di portare sempre occhiali di protezione, guanti e calzature di sicurezza nonché un elmetto protettivo, poiché gli spigoli taglienti possono causare delle lesioni. I vetri rotti costituiscono un elevato rischio per la sicurezza. Eliminare i vetri rotti con la massima prudenza.
- Il prodotto acquistato è ideato per la coltivazione di piante e deve essere utilizzato esclusivamente per questo scopo.. Per qualsiasi altro utilizzo si declina ogni responsabilità.
- Per il montaggio di questo prodotto sono richieste due persone.
- Se si utilizza una scala a pioli è consigliabile la presenza di una seconda persona che la tenga ferma.
- Qualora dovessero verificarsi delle complicazioni durante l'operazione di montaggio della serra o all'inserimento della vetratura, vogliate contattare il vostro commerciante di fiducia – **Non usare in nessun caso la forza!**
- La serra deve essere ancorata al suolo.

## Descrizione della struttura

### SCelta DEL LUOGO

Scegliere possibilmente un posto al sole, ma al contempo protetto dal vento.

### IMPORTANTE

Prima di iniziare le operazioni di montaggio della serra, accertarsi che siano presenti tutti i componenti elencati. Prelevare i componenti dall'imballaggio, per poterli identificare meglio. È particolarmente importante non mischiare tra di loro i componenti aperti. Se nonostante un accurato controllo dovessero mancare delle parti, contattate il vostro rivenditore.

**Attenzione** – il lato resistente ai raggi UV dei pannelli a camera vuota è contrassegnato da una pellicola di plastica o da una nota stampata sui bordi. **Questo lato deve volgere verso l'esterno!**

Per sigillare accuratamente la serra si consiglia di utilizzare sigillante siliconico a reticolazione neutra. Come illustrato nelle figure (4b.7), (4b.8), (7a.6) e (7a.8). Il silicone è accluso.

### UTENSILI RICHIESTI

Giravite (piatto e a croce PH2)  
 Martello di gomma  
 2 scale (1.80 m)  
 Chiave da 10 mm  
 Chiave ad anello e a bocca  
 Coltello  
 Metro pieghevole  
 Livella a bolla  
 Avvitatore a batteria con coppia regolabile.

### MANUTENZIONE

Pulire periodicamente la serra con una soluzione detergente neutra non aggressiva. Il vetro può essere pulito con una soluzione non aggressiva, che non intacchi i componenti di materiale sintetico, i telai d'alluminio né le

graffe delle molle per i vetri. Pulire periodicamente la guida di scorrimento della porta.

### 0. FONDAMENTA

**Importante!** Le fondamenta devono essere assolutamente ad angolo retto e livellate. Utilizzare a tal riguardo una livella a bolla e un angolare.

**Attenzione:** Se la distanza tra i due angolari situati di rimpetto è uguale, significa che le fondamenta sono state poste ad angolo retto.

Consigliamo di montare la serra su fondamenta solide costituite da calcestruzzo, mattoni o muratura. Se non si fosse in grado di costruire le fondamenta, incaricare una ditta specializzata. Materiale e gli utensili per la costruzione delle fondamenta non sono compresi nella fornitura.

La porta può essere montata su qualsiasi lato della serra. Prendere nota della posizione desiderata della porta e preparare la fondazione come indicato, V1 - V4.

T trattare le fondamenta con antibirina.

**Tutti i disegni sono illustrati dalla parte interna della serra, salvo le illustrazioni, che sono rappresentate in una cornice ondulata, le quali descrivono la parte esterna.**

### 1. PARETE POSTERIORE

**Attenzione:** Se la porta deve essere montata su questo lato della casa, staccare il profilo intermedio (7311)⊙.

Spingere la guarnizione (7396) nel profilo del pavimento (7304 / 7306) e tagliarla alla lunghezza voluta (1.1)(1.2).

Collocare tutte le parti sul pavimento, introdurre le viti (7052) negli appositi canali

e avviarle. Spingere tutti gli angolari della gronda (7314 / 7316) negli angoli dei due profili angolari (7310) (1.3) (1.4) e che i profili angolari (7310) e i profili intermedi (7311) siano perfettamente alloggiati sul bordo di montaggio dell'angolare della gronda (1.9) (1.12).

Montare i profili diagonali (7312) su entrambi i lati (1.3) (1.4) (1.10) (1.11). Fissarli al profilo del fondo con le viti (7289).

### 2. ESTREMITÀ DEL FRONTONE L

**Attenzione:** Se la porta deve essere montata su questo lato della casa, staccare il profilo intermedio (7311)⊙.

Inserire la guarnizione (7396) nel profilo del pavimento (7304) e tagliarla alla lunghezza voluta (2.1) (2.2).

Collocare tutte le parti sul pavimento e avvitare senza stringere, inserendo le viti (7052) negli appositi canali. Fissare il profilo della grondaia (7319) nella scanalatura dei profili angolari (7437) (2.3) (2.4) e montare quindi i profili angolari (7437) al profilo del suolo (7304) (2.5) (2.6). Montare i profili intermedi (7311) (2.7) (2.8) al profilo del suolo (7304) e al profilo della grondaia (7319) (2.9).

Fissare il profilo diagonale (7312) (2.5) (2.9) (2.10). Montarla sulla trave con le viti (7289).

### 3. ESTREMITÀ DEL FRONTONE R

**Attenzione:** Se la porta deve essere montata su questo lato della casa, staccare il profilo intermedio (7311)⊙.

Montare tutte le parti procedendo come nella fase 2.

### 4a. ASSEMBLAGGIO DEGLI ELEMENTI

Spingere la guarnizione (7396) nel profilo del pavimento (7304 / 7306) e tagliarla alla lunghezza voluta (4a.1)(4a.2).

Per congiungere le pareti premontate, svitare le viti (7399) e i dadi (7053) nel profilo del suolo (7304), come illustrato nella fig. (4a.3). Sui profili angolari, inserire le teste delle viti nel canale del profilo (7310) (4a.4).

Montare le diagonali (7312) i due lati, come illustrato nella fig. (4a.5). Fissare le viti (7289) sul pavimento senza stringerle.

Utilizzare le viti (7399) e i dadi (7053) per congiungere i profili (7319) con i profili angolari (7310) e assicurarsi che facciano pressione sul profilo del tetto (4a.6)(4a.7).

Avvitare le viti (7399) e (7053) nei profili del suolo (7304/7306) senza stringerle, come illustrato nella fig. (4a.3). Inserire le viti (7053) negli appositi canali dei profili (7437/7438), come illustrato nella fig. (4a.4).

Fissare i profili frontali (7444/7446) nella scanalatura dei profili angolari (7337/7438) utilizzando le viti (7399) e i dadi (7053).

Fissare il frontone profilato (7434/7436) ai profili angolari (7437/7438). Vedi fig. (4a.10) (4a.11).

Fissare i profili diagonali al lato frontale (7312). Non stringere le viti (7289) al profilo del suolo, perché poi devono essere nuovamente svitate durante la fase di vetratura (7B).

Allineare il telaio alle fondamenta preparate. Verificare se la serra è correttamente posizionata, quindi perforare fori da Ø6 nei componenti (7304) e (7306). Inserire il tassello (7421) e congiungere il telaio sulle fondamenta. Utilizzare a questo proposito le viti (7411), come illustrato nella fig. (4a.12).

#### 4b. TETTO

Fissare ora i profili (7439) tra i frontoni profilati (7434/7436) e i profili orizzontali (7444/7446), come illustrato nella fig. (4b.2).

Fissare ora i profili (7439) tra i frontoni profilati (7434/7436) e i profili orizzontali (7444/7446), come illustrato nella fig. (4b.2).

Fissare i profili angolari del tetto (7432/7433) ai frontoni profilati (7434/7436) e ai profili angolari (7437/7438). Utilizzare a questo proposito le lamiere angolari (7348) fig. (4b.6) Avvitare i profili centrali laterali (7346/7347) tra i profili (7319/7320) e i profili angolari del tetto (7432/7433). Montare anche in questo caso le lamiere angolari (7348), come illustrato nella fig. (4B.5).

Introdurre ora le viti (7052) negli appositi canali dei profili intermedi (7426). Applicare le rondelle (7053) e i dadi (7053) sulla grondaia e sul relativo angolo (7314/7316), fig. (4b.7)/(4b.8). Assicurarsi che il componente (7426) alloggi correttamente nell'angolo dell'angolare della grondaia e che sia perfettamente

allineato al piccolo foro situato sul lato esterno della grondaia stessa (7426) e (4b.9).

Introdurlo (7052) nel canale delle viti (7426) sul frontone e collegarlo. (7434/7436) (4b.10).

Controllare se tutte le parti del telaio sono disposte ad angolo e, in caso affermativo, stringere le viti (7411/7412).

**IMPORTANTE: non spanare le viti stringendole eccessivamente!**

Montare ora l'angolo dello smusso tagliente (7331) tra tutti i profili laterali centrali (7311) e i profili intermedi del tetto (7426). Utilizzare a questo proposito le viti con testa di martello (7399), come illustrato nella fig. (7399) fig. (4b.11/4b.12)

#### 5a. FINESTRA LATERALE

Avvitare il profilo inferiore della finestra (7451) ai profili laterali (7184) e (7185) (5a.2) (5a.3). Introdurre la lastra D nelle guide (5a.5) dei profili montati (5a.4) (5a.5). Inserire i componenti (7052) e (7053) nel profilo superiore della finestra (7450) e infilarli nei componenti (7184) e (7185), tenendo conto che le teste delle viti del componente (7052) devono essere inserite nei canali delle viti, i vetri, invece, nei canali di vetratura (5a.6) (5a.7).

**Attenzione:** Se si ha scelto la vetratura da 4 mm, tagliare la guarnizione (7420) alla lunghezza voluta e inserirla nei canali di vetratura situati sul lato interno della finestra, per fissare le lastre di vetro (5a.8) (5a.9) Controllare se le finestre sono poste ad angolo retto prima di stringere le viti.

**Le viti devono essere strettamente serrate, ma non eccessivamente.**

Introdurre la guarnizione della spazzola (7457) nelle guide e nei profili laterali (7185) (7450) (7184) (5a.10) e tagliarla alla lunghezza voluta. **Attenzione:** Se la guarnizione della spazzola (7457) si sposta in modo visibile nel momento in cui la finestra viene chiusa (vedi fase 8a) è possibile accorciarla (5a.10).

Montare il supporto finestra (7090) rizzando la piastra distanziale (7413) e due viti (7349) (7349) (5a.11) (5a.12). Applicare le calotte di plastica (6070) tutte le viti (7053) (5a.13).

#### 5b. FINESTRA SUPERIORE

Montare tutte le parti procedendo come nella fase 5a.

#### 6a. PORTE SCORREVOLI

Introdurre la guarnizione della spazzola (7332) nelle guide delle porte in die Türführungen (7352) (7353) (7355) (7356) (7357) (6a.2) e tagliarle alla lunghezza voluta.

Fissare i rulli di scorrimento delle porte (7364) ai profili inferiori della porta (7355) utilizzando i distanziali (7392) su ogni lato del rullo, la vite (7393), il dispositivo di serraggio (7350) e il dado autofilettante (7360) (6a.3). Avvitare i profili inferiori della porta (7355) ai profili laterali (7357) o (7358). (6a.3) (6a.7a).

Congiungere i profili centrali della porta (7354) e (7384) alla serratura a catenaccio della cassa a due ante (7400) (7401) e (7402) utilizzando le viti (7404). Fissare i montanti laterali (7357) o (7358) con le viti (7052) e i dadi (7053) e con le viti (7405) (6a.4) (6a.5) (6a.8). **Stringere le viti (7404) e (7405), ma non eccessivamente.**

Avvitare i profili superiori della porta (7352) o (7353) ai profili laterali della porta (7357) o (7358) (6a.6) (6a.7b).

Introdurre le lastre G nelle guide della vetratura delle parti montate (6a.9).

Introdurre i componenti (7052) e (7053) nei profili laterali della porta (7356) e inserirli nei componenti (7355), (7354) o (7384) e (7352) o (7353), quindi adattare le teste delle viti (7052) nei canali delle viti e adattare la vetratura nei canali della vetratura. (6a.9) (6a.10). Inserire le guide (2271) nelle due porte (6a.6).

**Attenzione:** Se si ha scelto la vetratura da 4 mm, tagliare la guarnizione dei vetri (7420) alla lunghezza voluta e inserirla nei canali di vetratura situati sul lato interno della porta, per fissare le lastre di vetro. (6a.11).

#### 6b. TELAIO DELLA PORTA E SOGLIA

Fissare il rinforzo della porta (7362) con le viti (7390) nell'apertura della porta avvitandole al profilo del suolo (6b.1) (6b.2).

Inclinare la guida di scorrimento della porta (7351) per introdurrla nel profilo della soglia e per portarla in posizione (6b.3). Collocare l'apertura della porta al centro e avvitare alle fondamenta con le viti (2002) e i tasselli (2003) (6b.4).

Avvitare i telai laterali della porta (7361) ai profili intermedi (7311). Una volta posizionati, avvitare sulla parte superiore le viti (7052) e i dadi (7053) (6b.5) – (6b.8).

Introdurre le viti (7052) nei canali da entrambi i lati della soglia (7363) (6b.9) e collocare la soglia nella giusta posizione (6b.10)(6b.11).

#### 7. PANORAMICA DELLE LASTRE DI VETRO

Prima di iniziare i lavori, smistare le lastre di vetro in base alle dimensioni dei modelli e al tipo di vetratura. Se si ha scelto la versione vitrea, le lastre E ed F saranno identiche su

entrambi i lati.

**Attenzione** – il lato resistente ai raggi UV dei pannelli a camera vuota è contrassegnato da una pellicola di plastica o da una nota stampata sui bordi. **Questo lato deve volgere verso l'esterno!** Prima di effettuare il montaggio, staccare la pellicola da tutti i bordi a una distanza di ca. 2 cm. Staccare completamente la pellicola una volta inserite le lastre.

### 7a. VETRATURA DEL TETTO / GRONDAIA

Inserire la vetratura del tetto nelle guide dei profili del tetto (7a.2) (7a.3).

Quando le due lastre sono posizionate una accanto all'altra, applicare i dispositivi di arresto della vetratura (7342) o (7343) sul profilo del tetto (7a.4) (7a.5), facendoli passare attraverso i fori per mezzo delle viti autofilettanti (7349). Le viti devono poter scivolare giù e rimanere incastrati nei dispositivi di arresto summenzionati.

Accostare il profilo della grondaia (7324 / 7326) alla scanalatura dell'angolare della gronda (7a.6) e tirarlo verso il basso, affinché faccia pressione contro l'angolare stesso. Alternativamente il profilo della grondaia può essere inserito anche lateralmente. Avvitarlo dall'esterno all'angolare della gronda con le viti (7052), e dall'interno della serra, utilizzando i dadi (7053) (7a.7).

Infilare il distanziale delle lastre di vetro (7424) sull'angolare della gronda, come illustrato nella fig. (7a.9), il distanziale delle lastre di vetro (7425) sull'angolo esterno del frontone (7a.10). Fissare il frontone (7425) con la vite (7349) (7a.10).

Fissare il profilo terminale della vetratura (7447/7449) sul frontone utilizzando le viti (7052) da introdurre nel canale delle viti dei profili intermedi del tetto stringendo il dado (7053). Fig. (7a.10). Fissare al contempo le cappe in plastica (7468 e 7469), in modo che coprano le estremità aperte dei profili angolari del tetto (7432/7433) e che vengano applicate alle cappe terminali (7447/7449). Fig. (7a.10) (7a.11)

### 7b. VETRATURA LATERALE

Scegliere ora i punti nei quali installare le due finestre laterali. **Attenzione:** non è possibile installare le finestre in un campo situato su un angolo o direttamente accanto alla porta d'ingresso. In mezzo deve trovarsi una completa sezione. In questi punti vengono installate le lastre di vetro H, anziché le lastre di vetro A.

Inserire la guarnizione dei vetri (7382) nella scanalatura superiore (7381) e tagliarla alla lunghezza voluta.

Nelle vetrate con lastre / ASP di vetro, inserire la guarnizione dei vetri (6090)

nei profili di alluminio (7.2) e tagliarle alla lunghezza voluta.

**Attenzione:** Si consiglia di tagliare a una misura leggermente più corta le guarnizioni dei vetri (6090) poggianti sulle guide orizzontali e di posizionarle centralmente. In questo modo è possibile scaricare la condensa accumulatasi all'interno.

**Attenzione:** le vetrate in policarbonato non hanno bisogno di guarnizioni di gomma.

Inserendo le teste delle viti (7289) nelle diverse guide del listello di copertura è possibile invetriare la serra con lastre da ≤ 4 mm, 10 mm o 16 mm di spessore. (7b.2). Preparare i bulloni (7289) in ciascun foro preparato, (7b.3).

Nelle vetrate da 10 mm bisogna introdurre 1 distanziale (7407) al centro/sopra ogni piastra A (7b.4). Inserire ogni lastra di vetro A Nel telaio e avvitare i listelli di copertura verticali (7372) o (7373) senza stringere i dadi (7053) (7b.3).

Sollevarla la lastra A di 15 mm e congiungerla all'altra lastra utilizzando i listelli di copertura (7381) (7b.3).

Per le vetrate con spessore di 10 mm, introdurre 4 distanziali (7409) nei componenti (7319), (7320) e (7444 / 7446) (2 distanziali per ogni lastra E, F e J) (7b.5) (7b.6). Aggiustare le lastre E, F e J. Montare i listelli di copertura (7442) o (7443) e installare i componenti (7379) / (7470) o (7380) / (7471), senza stringerli.

**Importante:** Nelle coperture in policarbonato utilizzare i distanziali (7467) sotto le cappe terminali (7468) o (7469), a seconda dello spessore della vetratura. In spessori da 10mm utilizzare un componente (7467), in quelli da 16mm, due componenti (7467). Le cappe (7442) e (7443) esercitano pressione sulle cappe terminali (7468) e (7469) e le fissano.

**Stringere le viti, ma non eccessivamente.**

**Attenzione:** Il miglior modo per montare i listelli di copertura verticali consiste nell'inserire nel foro dapprima la vite superiore, poi quella centrale e infine la vite inferiore. Assicurarsi che i listelli di copertura rimangano in contatto con il profilo del suolo.

### 8a. MONTAGGIO DELLA FINESTRA LATERALE

Rimuovere i dadi (7053) dai listelli di copertura verticali (7372) situati sui profili centrali (7311) accanto all'apertura della finestra. Inserire i componenti (7053) e (7399) nei fori inferiori dei telai della finestra (7311) al di sopra della lastra H (8a.2) e rimontare la cappa di plastica (7053) (8a.3) (8a.4).

Introdurre i componenti (7053) e (7399)

nel foro inferiore del profilo del davanzale (7452). Ruotare il profilo in modo che chiuda la lastra di vetro H e il dado centrale visibile da entrambe i lati (7452)(8a.5). Fissare nuovamente il dado centrale visibile (7053) (8a.6).

Avvitare la cerniera della finestra (7190) con le viti (7088) ai telai (7197) e (7198) (8a.7). **Attenzione:** Utilizzare solo gli appositi fori nella cerniera.

Fissare la finestra premontata (vedi fase 5a) ai profili laterali con cerniere (7190) utilizzando le viti (7088). **Attenzione:** Utilizzare solo gli appositi fori nella cerniera.

Chiudere la finestra e assicurarsi che chiuda sul davanzale (7452) senza entrare in contatto con la superficie. L'altezza della finestra può essere aggiustata con l'ausilio dei fori nella cerniera (7190). Se la finestra è stata aggiustata correttamente, fissarla avvitando altre viti nei rimanenti fori.

Montare i perni a scatto (6056) sul profilo del davanzale (7452) utilizzando le viti (7403) (8a.9). Piazzarle, allineando i fori lunghi nel supporto finestra (7090) quando questa è chiusa (8a.10).

Se la finestra è chiusa, innestare il relativo supporto (7090) con i due perni a scatto (6056), per chiuderla. (8a.10).

**Attenzione:** Se la guarnizione della spazzola (7457) nel profilo superiore della finestra (7450) si sposta durante la fase di chiusura della finestra, potrà essere accorciata. Per maggiori dettagli vedi capitolo (5a.10).

Procedere nello stesso modo per montare le altre finestre.

### 8b. MONTAGGIO DELLA FINESTRA SUPERIORE

Rimuovere i dadi (7053) delle viti e dei listelli di vetratura (7440) e (7441) dai profili angolari (7437/7438) e dai profili intermedi (7439) situati a destra e a sinistra dell'apertura della finestra. Fig. (8b.1).

Infilare i profili laterali delle finestre (7188) e (7189) sulle viti preparate (8b.1)(8b.2) e fissare nuovamente i listelli di vetratura con il dado (7053) (8b.3) e (8b.4).

Avvitare, senza stringere, i componenti (7053) e (7399) nei fori del profilo del davanzale inferiore (7462). Spistarli in modo che la testa del componente (7399) combaci con il canale delle viti del profilo verticale (7444/7446). Come illustrato nella fig. (8b.5 e 8b.6).

Fissare la cerniera della finestra (7190) con le viti (7088). Avvitarla ai telai laterali dei componenti (7188) e (7189) come illustrato nella fig. (8b.7).

**Importante:** Utilizzare solo le asole preparate nella cerniera.

Fissare ora le finestre preparate (sezione 5B) tra le due cerniere delle finestre (7190) utilizzando le viti (7088)

**Importante:** Utilizzare solo le asole preparate nella cerniera.

Chiudere ora la finestra e assicurarsi che chiuda sul davanzale (7462) senza entrare in contatto con la superficie. L'altezza della finestra può essere adattata con le asole situate nelle cerniere (7190). Se la finestra chiude correttamente, stringere a fondo le altre viti.

Avvitare ora gli eccentrici della finestra (6056) al davanzale (7462), utilizzando le viti (7403) fig. (8b.9). Posizionare ora correttamente la leva della finestra (7090), con l'ausilio del canale delle viti, tenendo la finestra chiusa. (8b.10). Quando la finestra è chiusa, la leva (7090) deve trovarsi su entrambi gli eccentrici (6056) e chiudere così la finestra. (8b.10)

**Importante:** Se la guarnizione delle spazzole (7457) sporge sugli angoli del componente (7460) nel momento in cui la finestra è chiusa, tagliarla alla misura voluta. Fig. (5b.10)

**(11500)** ripetere questa operazione anche per le altre finestre.

## 9. LE ULTIME OPERAZIONI

Introdurre i raccordi (7370) e (7371) nelle due estremità del profilo della grondaia (7324 / 7326) (9.1) (9.2).

**Attenzione:** Può essere utile tirare via delicatamente il profilo della grondaia dal bordo superiore della serra, in modo da ingrandire l'apertura della plastica.

Inserire le viti con testa di martello (1412) nel relativo canale situato all'estremità inferiore del profilo angolare (7310) e avvitare dai due lati i componenti (1405) e (1409) utilizzando il dado di alluminio (1002) (9.3). Montare il gomito (1402) situato all'estremità del tubo di scarico della pioggia (1415) (9.6) e collegarlo ai raccordi della grondaia (7370) o (7371) (9.9). Tendere la graffa (1403) che avvolge il pluviale e collegarla con i componenti (1409) (9.4). Inserire la vite (1006) per fissare il tubo di scarico della pioggia (9.5).

Installare la soglia (7359) nell'apertura della porta. Collegarla ai componenti (7444/7446), inserendo le viti (7052) nel relativo canale situato sul lato esterno dei profili e avvitando i dadi (7053). Fig. 9.7

Inserire dall'alto le viti (7352) nelle due estremità del profilo dell'elemento di guida della porta (7359), quindi stringerle, avvitando dal di sotto i dadi (3002), per limitare l'apertura della porta. (9.7) (9.8).

Inserire gli elementi scorrevoli in plastica della porta (2771) nel profilo della porta (7359)

(9.9) e disporre le rotelle sotto la guida di corsa della porta (7351) (9.10b). Agganciare i fermaporta (7350) sotto al nasello (7351) e stringere le viti delle rotelle della porta (7360) (9.10b).

Applicare le calotte di plastica (6070) su tutti i dadi disponibili (7053) della serra (9.11).

## LAVORI FINALI

Opzionalmente è anche possibile sigillare gli angoli della serra con sigillante siliconico a reticolazione neutra. Il silicone non è compreso nel volume di consegna.

Applicare dall'interno il presente adesivo di avvertimento.

Controllare ogni 2 settimane dopo il montaggio se le viti sono strette a fondo.

Il vostro rivenditore dispone di un assortimento completo di accessori per serre. Contattatelo.

## INFORMAZIONI DI SICUREZZA

Non salire sulle superfici del tetto. C'è il rischio di cadere.

In presenza di vento forte si raccomanda di mantenere chiuse tutte le aperture e la porta.

Rimuovere tempestivamente la neve dai tetti delle serre in modo da evitare carichi di neve pericolosi. Riscaldare la serra in inverno.

## NOTE

Per garantire la protezione completa della serra vi consigliamo di includerla nella vostra polizza assicurativa domestica. Osservare eventuali prescrizioni edilizie locali vigenti.

Dopo aver completato il montaggio della serra, incollare l'adesivo di identificazione fornito in dotazione sul corpo della ruota (7353) o (7353). La denominazione del tipo è richiesta per specificare eventuali pezzi di ricambio da ordinare.

Conservare sempre le istruzioni per il montaggio!

Tutte le misure specificate sono valori approssimativi. Con riserva di modifiche.

## 1. PROSIMO, DA TA NAVODILA ZA MONTAŽO PRED ZAČETKOM POSTAVITVE V CELOTI PREBERETE!

- Pri rokovanju s steklom, votlimi ploščami ali deli rastlinjaka morate vedno nositi zaščitna očala, rokavice, zaščitne rokavice in zaščito za glavo, ker se lahko na ostrih robovih poškodujete. Zlomljeno steklo predstavlja varnostno tveganje. Odstranite ga z zahtevano previdnostjo.
- Rastlinjak, ki ste ga kupili, je zasnovan za gojenje rastlin in ga smete uporabljati izključno za ta namen. V primeru drugačne uporabe je vsakršna odgovornost izključena.
- Za montažo tega rastlinjaka sta potrebni dve osebi.
- Pri uporabi stopenjske lestve mora vedno druga oseba zavarovati lestev.
- Če imate pri montaži rastlinjaka ali vstavljanju zasteklitve težave, stopite v stik s svojim prodajalcem – **Ne ravnajte na silo!**
- Rastlinjak mora biti zasidran.

## Opis postavitve

### IZBIRA LEGE

Poiščite najbolj sončno lego, ki pa je hkrati zaščitena pred vetrom.

### POMEMBNO

Preden začnete z montažo vašega rastlinjaka, preverite, ali so na voljo vsi deli, ki so navedeni na seznamu. Da boste to lažje ugotovili, vzemite posamezne pakete iz embalaže. Pomembno je, da odprtih paketov ne pomešate. Če kljub najskrbnejšemu pregledu kaj manjka, stopite v stik s prodajalcem.

**Pozor** – Stran votlih plošč, ki je odporna na UV-žarke, je označena s plastično folijo ali natisnjem opozorilom na robovih. **Ta stran mora biti usmerjena navzven!**

Za temeljito zasteklitev rastlinjaka priporočamo nevtralen silikon, kot je prikazano na slikah (4b.7), (4b.8), (7a.6) in (7a.8). Silikon je priložen.

### POTREBNO ORODJE

Izvijač (za zarezo in križni izvijač PH2)

Gumijasto kladivo

2 lestvi (1.80 m)

Vijačni ključ 10 mm

Obročasti/viličasti ključ

Nož

Zložljivi meter

Vodna tehnična

Akumulatorski vijačnik z nastavljivim vrtilnim momentom

### VZDRŽEVANJE

Rastlinjak občasno temeljito operite z blago, pH nevtralnno čistilno raztopino. Steklo lahko očistite z blagim čistilnim sredstvom, ki ni agresivno do plastičnih delov, aluminijastega okvirja in vzmetnih sponk za steklo. Redno čistite vodilo vrat.

### 0. TEMELJ

**Pomembno!** Temelj mora biti absolutno pod pravim kotom in raven. To dosežete z uporabo vodne tehnice in kotnika.

**Pozor:** Če je razdalja med dvema nasproti ležečima kotnikoma enaka, je temelj pod pravim kotom.

Za postavitev rastlinjaka priporočamo soliden temelj iz betona, zidakov ali v zidani izvedbi. Če s konstrukcijo takšnega temelja nimate izkušenj, raje pooblastite podjetje, ki je specializirano za ta dela. Material in orodje za izdelavo priporočenega temelja ni vsebovano v dobavi.

Vrata lahko namestite na katero koli stran rastlinjaka. Upoštevajte zeleni položaj vrat in pripravite temelje, kot je prikazano na slikah V1 - V4.

Temelj mora biti postavljen zaščiteno pred zmrzaljo.

**Vse risbe so prikazane z notranje strani rastlinjaka, z izjemo slik, ki so prikazane v valovit okvir. Te prikazujejo pogled od zunaj.**

### 1. ZADNJA STENA

**Pozor:** Če naj se vrata vstavijo na tej strani rastlinjaka, odstranite vmesni profil (7311)Ⓢ.

Pritisnite tesnilo (7396) v talni profil (7304 / 7306) in ga odrežite na ustrezno dolžino (1.1) (1.2).

Vse dele položite na tla, vstavite vijake (7052) v kanale za vijake in jih na rahlo privijte. Pazite, da so kapni kotniki (7314 / 7316) potisnjeni v vogale obeh vogalnih profilov (7310) (1.3) (1.4) ter da so vogalni profili (7310) in vmesni profili (7311) nameščeni natančno na montažni rob kapnega kotnika

(1.9) (1.12).

Montirajte diagonalne profile (7312) na obeh straneh (1.3) (1.4) (1.10) (1.11). Na rahlo jih z vijaki pritrdite na talni profil (7289).

### 2. ZAKLJUČEK ZATREPA L

**Pozor:** Če naj se vrata vstavijo na tej strani rastlinjaka, odstranite vmesni profil (7311)Ⓢ.

Pritisnite tesnilo (7396) v talni profil (7304) in ga odrežite na ustrezno dolžino (2.1) (2.2).

Vse dele položite na tla in jih na rahlo privijte, tako da vijake (7052) vstavite v kanale za vijake. Kapni profil (7319) pritrdite v odprtine vogalnih profilov (7437) (2.3) (2.4), nato pa vogalne profile (7437) montirajte na talni profil (7304) (2.5) (2.6). Vmesne profile (7311) (2.7) (2.8) montirajte na talni profil (7304) in kapni profil (7319) (2.9), tako da se profili stikajo.

Pritrdite diagonalni profil (7312) (2.5) (2.9) (2.10). Na pragu ga ohlapno montirajte z vijaki (7289).

### 3. ZAKLJUČEK ZATREPA D

**Pozor:** Če naj se vrata vstavijo na tej strani rastlinjaka, odstranite vmesni profil (7311)Ⓢ.

Vse dele montirajte, kot je opisano v koraku 2.

### 4a. POVEZOVANJE ELEMENTOV

Pritisnite tesnilo (7396) v talni profil (7304/ 7306) in ga odrežite na ustrezno dolžino (4a.1) (4a.2).

Da predhodno montirane stene spojite med seboj, odvijte vijake (7399) in matice (7053) v talnem profilu (7304), kot je prikazano na sliki (4a.3). Na nižjih vogalnih profilih vstavite glave vijakov v kanal za vijake na profilu (7310) (4a.4).

Montirajte diagonale (7312) na obeh straneh, kot je prikazano na sliki (4a.5). Na tleh vijak (7289) pritrdite le na rahlo.

Uporabite vijake (7399) in matice (7053), da profile (7319) spojite z vogalnimi profili (7310), in zagotovite, da pritiskajo v smeri strešnega profila (4a.6)(4a.7).

Vijake (7399) in (7053) na rahlo montirajte v talne profile (7304/7306), kot je prikazano na sliki (4a.3). Vstavite vijake (7053) v kanale za vijake na profilih (7437/7438), kot je prikazano na sliki (4a.4).

Sprednje profile (7444/7446) pritrдите v odprtine vogalnih profilov (7337/7438), pri tem uporabite vijake (7399) in matice (7053).

Profil zatrepa (7434/7436) pritrдите na vogalne profile (7437/7438). Glejte sliko (4a.10)(4a.11).

Pritrdite diagonalne profile na sprednji strani (7312). Na talnem profilu vijakov ne zategnite tesno (7289), ker jih je pri postopku zastekljevanja (7B) treba spet odvit.

Zdaj okvir naravnajte na pripravljenem temelju. Preverite, ali je rastlinjak v ravni liniji in izvrtajte izvrtini Ø6 skozi predhodno pripravljeni luknji (7304) in (7306). Vstavite vložke (7421) in okvir na rahlo privijte na temelj. V ta namen uporabite vijake (7411), kot je prikazano na sliki (4a.12).

#### 4b. STREHA

Zdaj pritrđite profile (7439) med profili zatrepa (7434/7436) in vodoravnimi profili (7444/7446), kot je prikazano na sliki (4b.2).

Zdaj pritrđite profile (7439) med profili zatrepa (7434/7436) in vodoravnimi profili (7444/7446), kot je prikazano na sliki (4b.2).

Pritrdite strešne vogalne profile (7432/7433) na profile zatrepa (7434/7436) in vogalne profile (7437/7438), pri tem uporabite vogalne pločevine (7348), slika (4b.6).

Zdaj privijte stranske srednje profile (7346/7347) med profile (7319/7320) in strešne vogalne profile (7432/7433). Tudi tukaj uporabite na sliki (4b.5) prikazane vogalne pločevine (7348).

Zdaj vstavite vijake (7052) v kanale za vijake na vmesnih profilih (7426). Na kapi in spodaj na kapnem kotniku (7314/7316) uporabite podložke (7053) in matice (7053), slika (4b.7)/(4b.8). Prepričajte se, da se (7426) natančno prilega vogalu kapnega kotnika in majhni luknji na zunanji strani kapi (7426) (4b.9).

Vstavite (7052) v kanal za vijake (7426) na zatrepu in spojite. (7434/7436) (4b.10).

Preverite okvir, če je vse pod pravim kotom, in če je, zategnite vse vijake (7411/7412).

**POMEMBNO: vijakov ne zategnite prekomerno!**

Zdaj montirajte vogalne kotnike (7331) med vsak stranski srednji profil (7311) in strešni

vmesni profil (7426). V ta namen uporabite vijake s kladivasto glavo (7399), kot je prikazano na sliki (4b.11/4b.12).

#### 5a. STRANSKO OKNO

Spodnji okenski profil (7451) privijte na stranska profila (7184) in (7185) (5a.2) (5a.3). Ploščo D vstavite v ustrezna vodila (5a.5) montiranih profilov (5a.4) (5a.5). (7052) in (7053) rahlo vstavite v zgornji okenski profil (7450) in potisnite na (7184) in (7185), pri čemer je treba glave vijakov (7052) vstaviti v kanale vijakov in zasteklitev v kanale za zasteklitev (5a.6) (5a.7).

**Pozor:** Če ste izbrali zasteklitev debeline 4 mm, tesnilo (7420) ustrezno odrežite in ga vtisnite v kanale za zasteklitev na notranji strani okna, da steklo fiksirate (5a.8) (5a.9). Preverite, ali je okno pod pravim kotom, preden trdno privijate vse vijake.

**Vijaki morajo biti trdno, vendar ne pretesno priviti.**

Krtačno tesnilo (7457) vstavite po vsej dolžini zgoraj v vodila in stranske profile (7185) (7450) (7184) (5a.10) in ga odrežite na ustrezno dolžino. Pozor: Če se krtačno tesnilo (7457) vidno zamakne, ko okno zaprete (glejte korak 8a), ga lahko skrajšate (5a.10).

Montirajte podpornik za okno (7090) s pomočjo distančnika (7413) in dveh vijakov (7349) (5a.11) (5a.12). Na vse vijake (7053) nataknite plastične kape (6070) (5a.13).

#### 5b. ZGORNJE OKNO

Vse dele montirajte, kot je opisano v koraku 5a.

#### 6a. DRSNA VRATA

Krtačno tesnilo (7332) vstavite v vodila vrat (7352) (7353) (7355) (7356) (7357) (6a.2) in jih odrežite na ustrezno dolžino.

Tekalna kolesca vrat (7364) na rahlo pritrđite na spodnji vratni profil (7355) z distančniki (7392) na vsaki strani kolesca, vijakom (7393), držalom (7350) in samorezno matico (7360) (6a.3) Spodnje vratne profile (7355) privijte na stranska profila (7357) ali (7358). (6a.3) (6a.7a).

Srednja vratna profila (7354) in (7384) s pomočjo vijakov (7404) spojite z dvokrilno ključavnico z zapahom (7400) (7401) in (7402). Stranske palice (7357) ali (7358) pritrđite z vijaki (7052), maticami (7053) in vijaki (7405) (6a.4) (6a.5) (6a.8). **Vijaki (7404) in (7405) morajo biti trdno, vendar ne pretesno priviti.**

Zgornje vratne profile (7352) ali (7353) privijte na stranske vratne profile (7357) ali (7358)

(6a.6) (6a.7b).

Plošče G potisnite v vodila za zasteklitev montiranih delov (6a.9).

(7052) in (7053) na rahlo vstavite v stranske vratne profile (7356) in potisnite na (7355), (7354) ali (7384) in (7352) ali (7353) ter glave vijakov vstavite (7052) v kanale vijakov ter zasteklitev (6a.9) (6a.10) prilagodite kanalom za zasteklitev. Vstavite vratna vodila (2271) zgoraj v obojna vrata (6a.6).

**Pozor:** Če ste izbrali zasteklitev debeline 4 mm, tesnilo za steklo (7420) ustrezno odrežite in ga vtisnite v kanale za zasteklitev na notranji strani vrat, da steklo fiksirate. (6a.11).

#### 6b. OKVIR VRAT IN PRAG VRAT

Ojačitev vrat (7362) s pomočjo vijakov (7390) pritrđite v odprtino za vrata na talnem profilu (6b.1) (6b.2).

Vodilo vrat (7351) nagnite, da ga lahko vstavite v profil praga in namestite v pravilen položaj (6b.3). Namestite ga na sredino odprtine za vrata in ga s stenskimi vložki (2003) in vijaki (2002) privijte na temelj (6b.4).

Stranske okvirje vrat (7361) privijte na vmesne profile (7311). Ko so nameščeni v pravilen položaj, jih zgoraj privijte z vijaki (7052) in maticami (7053) (6b.5) – (6b.8).

Spodaj vstavite vijake (7052) v kanale na obeh straneh praga vrat (7363) (6b.9) in prag vrat potisnite na pravo mesto (6b.10)(6b.11).

#### 7. PREGLED STEKLENIH DELOV

Preden začnete, zasteklitvene elemente razvrstite glede na velikost modela in vrsto zasteklitve. Če ste izbrali steklo, so plošče E in F na obeh straneh enake.

**Pozor** – Stran votlih plošč, ki je odporna na UV-žarke, je označena s plastično folijo ali natisnjениm opozorilom na robovih. **Ta stran mora biti usmerjena navzven.** Pred postavitvijo folijo na vseh robovih odlepote za pribl. 2 cm. Ko so vse plošče vstavljene, popolnoma odstranite folijo z vseh plošč.

#### 7a. ZASTEKLITEV STREHE / KAPI

Zasteklitev strehe vstavite v vodila strešnih profilov (7a.2) (7a.3).

Ko sta dve sosednji plošči v pravilnem položaju, namestite držala zasteklitve (7342) ali (7343) skozi predhodno izvrtane luknje s samoreznimi vijaki (7349) na vmesni strešni profil (7a.4) (7a.5). Plošče se morajo pomakniti navzdol in obstati na držalih.

Kapni profil (7324 / 7326) nastavite na utor kapnega kotnika (7a.6) in ga potegnite navzdol, da ga pritiskate ob kapni kotnik. Kapni profil lahko tudi vstavite od strani. Z

vijaki (7052) od zunaj in maticami (7053) z notranje strani rastlinjaka ga privijete na kapni kotnik (7a.7).

Potisnite distančnik za steklo (7424), kot je prikazano na sliki (7a.9), na kapni kotnik in distančnik za steklo (7425) prek zunanjega vogala zatrepa (7a.10). Za pritrditev zatrepa (7425) uporabite vijak (7349) (7a.10).

Za pritrditev zaključnega profila zasteklitve (7447/7449) na zatrep uporabite vijake (7052), ki jih potisnete v kanal za vijake vmesnih strešnih profilov in privijete z matico (7053). Slika (7a.10). Hkrati pritrdite plastične kape (7468 in 7469), tako da so odprti zaključni vogalni strešni profilovi (7432/7433) pokriti in se prilagajajo pod zaključne kape (7447/7449). Slika (7a.10)(7a.11)

## 7b. ZASTEKLITEV STRANIC

Zdaj se odločite, v katero polja boste vgradili obe stranski okni. **Pozor:** Oken ni mogoče namestiti v polje na vogalu ali neposredno ob vrata. Vmes mora biti celotna sekcija. V ta polja se namesto steklenih plošč A vstavijo steklene plošče H.

Tesnilo za steklo (7382) vtisnite v vsak zgornji utur (7381) in ga odrežite na ustrezno dolžino.

Pri zasteklitvi s steklom / ASP pritisnite tesnilo za steklo (6090) na aluminijaste profile (7b.2) in ga odrežite na ustrezno dolžino.

**Pozor:** Priporočamo, da tesnila za steklo (6090) na vseh horizontalnih vodilih za steklo odrežete na nekoliko krajšo dolžino in jih namestite na sredino. Tako lahko kondenzna voda, ki se nabira v notranjosti, odteče.

**Pozor:** Pri polikarbonatni zasteklitvi ne potrebujete tesnil.

Z vstavitvijo glav vijakov (7289) v različna vodila v pokrivni letvi se lahko rastlinjak zastekli s ploščami debeline ≤ 4 mm, 10 mm ali 16 mm. (7b.2). Pripravite vijake (7289) v vsako pripravljeno luknjo (7b.3).

Za zasteklitev debeline 10 mm vstavite 1 distančnik (7407) v sredino/nad vsako ploščo A (7b.4). Vsako stekleno ploščo A potisnite v okvir in vertikalne pokrivne letve (7372) ali (7373) na rahlo privijete z maticami (7053) (7b.3).

Ploščo A 15 mm visoko dvignite in jo na rahlo spojite s pokrivnimi lestvami (7381) pod ploščo (7b.3).

Za zasteklitev debeline 10 mm vstavite 4 distančnike (7409) na (7319), (7320) in (7444 / 7446) (2 distančnika za vsako ploščo E, F in J) (7b.5) (7b.6). Plošče E, F in J natančno naravnajte. Montirajte pokrivne letve (7442) ali (7443) in nato na rahlo vgradite (7379) / (7470) ali (7380) / (7471).

**Pomembno:** Pri strehi iz polikarbonatnih plošč uporabite distančne tulce (7467) pod zaključnimi kapami (7468) ali (7469) odvisno od debeline zasteklitve. Pri 10mm uporabite en kos (7467), pri 16mm pa dva (7467). Kape (7442) in (7443) delujejo s pritiskom na držala zaključnih kap (7468) in (7469) in jih fiksirajo.

**Vijaki morajo biti trdno, vendar ne pretesno priviti.**

**Pozor:** Vertikalne pokrivne letve lahko najboljše montirate tako, če najprej v luknjo vstavite zgornji vijak, nato srednji in nazadnje spodnji vijak. Zagotovite, da ostanejo pokrivne letve v stiku s talnim profilom.

## 8a. MONTAŽA STRANSKEGA OKNA

Odstranite matice (7053) z vertikalnih pokravnih letev (7372) na srednjih profilih (7311) poleg odprtine za okno. Potisnite (7053) in (7399) na rahlo v spodnje luknje stranskih okenskih okvirjev (7311) nad stekleno ploščo H (8a.2) in na novo montirajte plastično kapo (7053) (8a.3) (8a.4).

Potisnite (7053) v (7399) spodnjo luknjo profila okenske police (7452). Profil za toliko obrnite, da pokrije stekleno ploščo H in sredinsko vidno matico na obeh straneh (7452) (8a.5). Sredinski vidni matici (7053) ponovno pritrdite (8a.6).

Pritrdite tečaj okna (7190) z vijaki (7088) na okenski okvir (7197) in (7198) (8a.7).

**Pozor:** Uporabite izključno za to predvidene luknje v tečaju.

Pritrdite predhodno montirano okno (glejte korak 5a) s pomočjo vijakov (7088) na stranske profile s tečajem okna (7190) **Pozor:** Uporabite izključno za to predvidene luknje v tečaju.

Okno zaprite in zagotovite, da se zapira nad profilom okenske police (7452) brez stika. Višina okna se lahko natančno nastavi s pomočjo lukenj v tečaju (7190). Ko je okno pravilno nastavljeno, ga fiksirajte, tako da privijete dodatne vijake v ostale luknje.

Montirajte zaskočne zatiče (6056) na profil okenske police (7452) z vijaki (7403) (8a.9). Namestite jih tako, da so z dolgimi luknjami v podporniku za okno (7090), ko je okno zaprto (8a.10).

Ko je okno zaprto, se lahko podpornik za okno (7090) fiksira v obeh zaskočnih zatičih (6056), da je okno tesno zaprto. (8a.10).

**Pozor:** Če se krtačno tesnilo (7457) v zgornjem okenskem profilu (7450) zamakne, ko okno zaprete, ga lahko ustrezno skrajšate; za podrobnosti glejte (5a.10).

Drugo okno montirate na enak način.

## 8b. MONTAŽA ZGORNJEGA OKNA

Odstranite matice (7053) vijakov, letev zasteklitve (7440) in (7441) z vogalnih profilov (7437/7438) in vmesnih profilov (7439) desno in levo od odprtine za okno. Slika (8b.1). Stranske okenske profile (7188) in (7189) zdaj nataknete na pripravljene vijake (8b.1)(8b.2) in nato ponovno pritrdite letve zasteklitve z matico (7053) (8b.3) in (8b.4).

Na rahlo privijete (7053) in (7399) v luknje spodnjega okenskega profila (7462). S pomikanjem omogočite, da se glava (7399) prilega kanalu za vijake vertikalnega profila (7444/7446). Kot je prikazano na sliki (8b.5 in 8b.6).

Uporabite vijak (7088) za pritrditev tečaja okna (7190). Privijete ga na stranska okvirja (7188) in (7189), kot na sliki (8b.7).

**Pomembno:** Uporabite samo pripravljene podolgovate luknje v tečaju.

Pripravljena okna (sekcija 5B) pritrdite med dva tečaja za okno (7190) z vijaki (7088).

**Pomembno:** Uporabite samo pripravljene podolgovate luknje v tečaju.

Okno zaprite in zagotovite, da se zapira nad profilom okenske police (7462), brez da se je dotakne. Višina okna se lahko prilagodi s pomočjo dolgih lukenj v tečaju (7190). Ko se pravilno zapira, tesno privijete ostale vijake.

Zdaj zaskočne zatiče (6056) z vijaki (7403) privijete na okensko polico (7462), slika (8b.9). Prilagodite pravi položaj ročice okna (7090) s pomočjo kanala za vijake pri zaprtem oknu. (8b.10). Ko je okno zaprto, mora ročica okna (7090) nalegati na obeh zaskočnih zatičih (6056) in s tem okno zapreti. (8b.10)

**Pomembno:** Če krtačno tesnilo (7457) sega čez vogale (7460) pri zaprtem oknu, ga lahko ustrezno odrežete. Slika (5b.10)

(11500) ponovite za drugo okno.

## 9. ZAKLJUČNA DELA

Priključna kosa za žleb (7370) in (7371) potisnite v oba konca kapnega profila (7324 / 7326) (9.1) (9.2).

**Pozor:** V pomoč vam je lahko, če kapni profil na zgornjem robu previdno potisnete stran od rastlinjaka, tako da je odprtina za plastiko večja..

Vijake s kladivasto glavo (1412) potisnite v kanal za vijake na spodnjem koncu vogalnega profila (7310) in privijete (1405) in (1409) z aluminijasto matico (1002) na obeh straneh (9.3). Montirajte koleno (1402) na koncu odvodne cevi za deževnico (1415) (9.6) in spojite s priključnima kosoma za žleb (7370) ali (7371) (9.9). Sponko za padno cev (1403) napnite okoli padne cevi in spojite z (1409) (9.4). Vstavite vijak (1006), da padno cev

fiksirate (9.5).

Prag vrat (7359) montirajte v odprtino za vrata. Spojite ga z (7444/7446), tako da potisnete vijake (7052) v kanal za vijake na zunanji strani profilov in ga pritrdite z maticami (7053). Slika 9.7

Na obeh koncih profila vodila za vrata (7359) od zgoraj vstavite vijake (7352) in jih od spodaj pritrdite z maticami (3002), da omejite odprtino za vrata. (9.7) (9.8).

Plastično vodilo vrat (2771) vstavite v profil vodila za vrata (7359) (9.9) (9.10a), nato pa namestite kolesca spodaj na vodilo vrat (7351) (9.10b). Vtaknite držalo vrat (7350) pod element (7351) in zategnite vijake kolesc za vrata (7360) (9.10b).

Na vse vidne matice (7053) v rastlinjaku natakните plastične kape (6070) (9.11).

### ZAKLJUČNA DELA

Če želite, lahko rastlinjak tudi na vogalih zatesnite z nevtralnimi silikonom. Silikon za ta namen ni vsebovan v dobavi.

Priloženo nalepko z opozorilom nalepite z notranje strani.

Po 2 tednih po postavitvi preverite, ali so vsi vijaki trdno pritrjeni.

Vaš prodajalec ima na voljo bogato izbiro opreme za vaš rastlinjak. Povprašajte pri njem.

### VARNOSTNA NAVODILA

Ne plezajte na strešne površine. Obstaja nevarnost padca.

Ob močnem vetru morajo biti vse odprtine in vrata zaprta.

S streh rastlinjakov pravočasno očistite sneg, da ne pride do nevarne obremenitve s snegom. Pozimi rastlinjak ogrevajte.

### OPOMBE

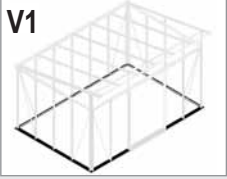
Za popolno zaščito rastlinjaka vam priporočamo, da ga vključite v zavarovanje hiše. Upoštevajte morebitne veljavne lokalne gradbene predpise.

Priloženo tipsko nalepko po opravljeni montaži rastlinjaka nalepite na ohišje koles (7352) ali (7353). Oznako tipa potrebujete za navedbo pri naročilu morebitnih potrebnih nadomestnih delov.

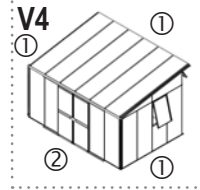
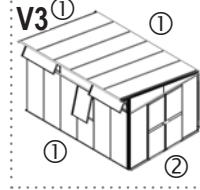
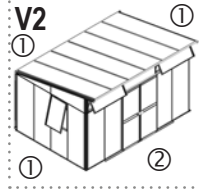
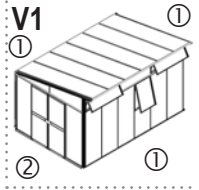
Prosimo, da navodila za montažo shranite!

Vse navedene mere so približne mere. Pridržujemo si pravico do sprememb.

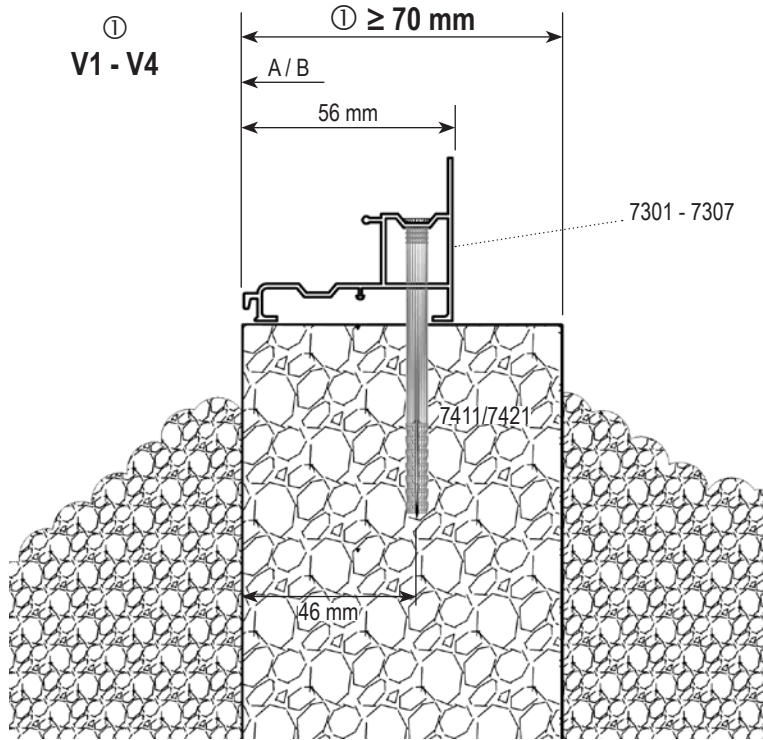
# 0



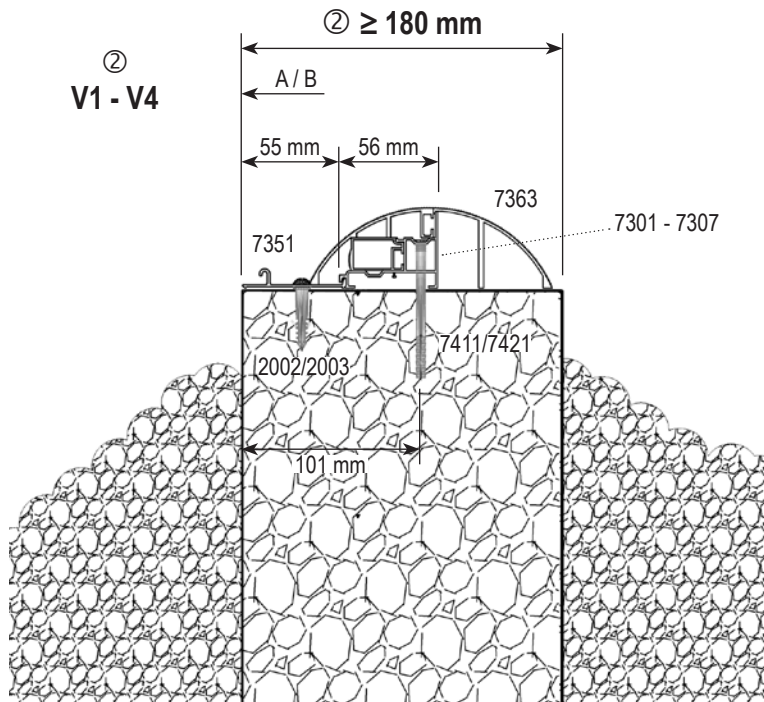
8600



①  
V1 - V4



②  
V1 - V4



Important!



Alternative options

# 0

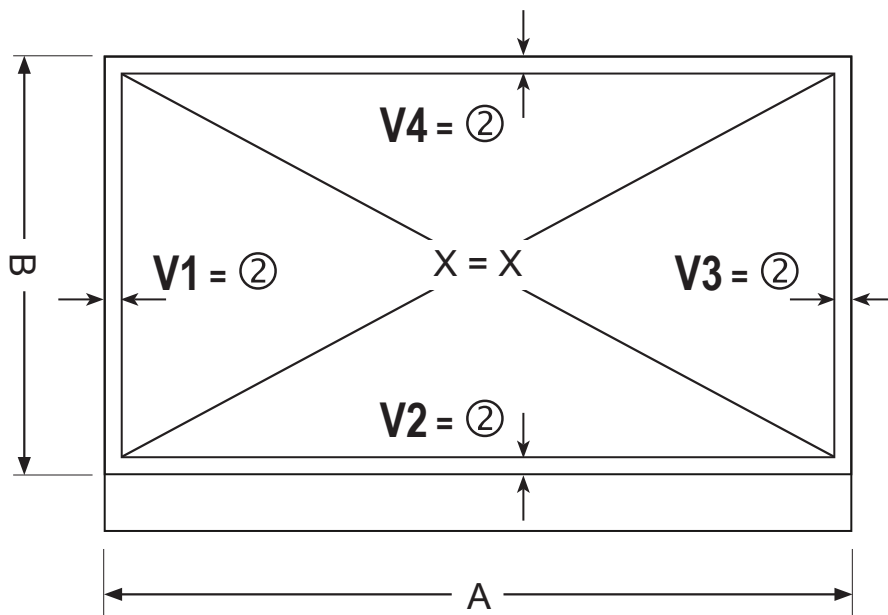
V1
<del>V2</del>
V3
<del>V4</del>

	7800	11500
A	2714 mm	3972 mm
B	2659 mm	2659 mm

?

<del>V1</del>
V2
<del>V3</del>
V4

	7800	11500
A	2659 mm	3917 mm
B	2714 mm	2714 mm



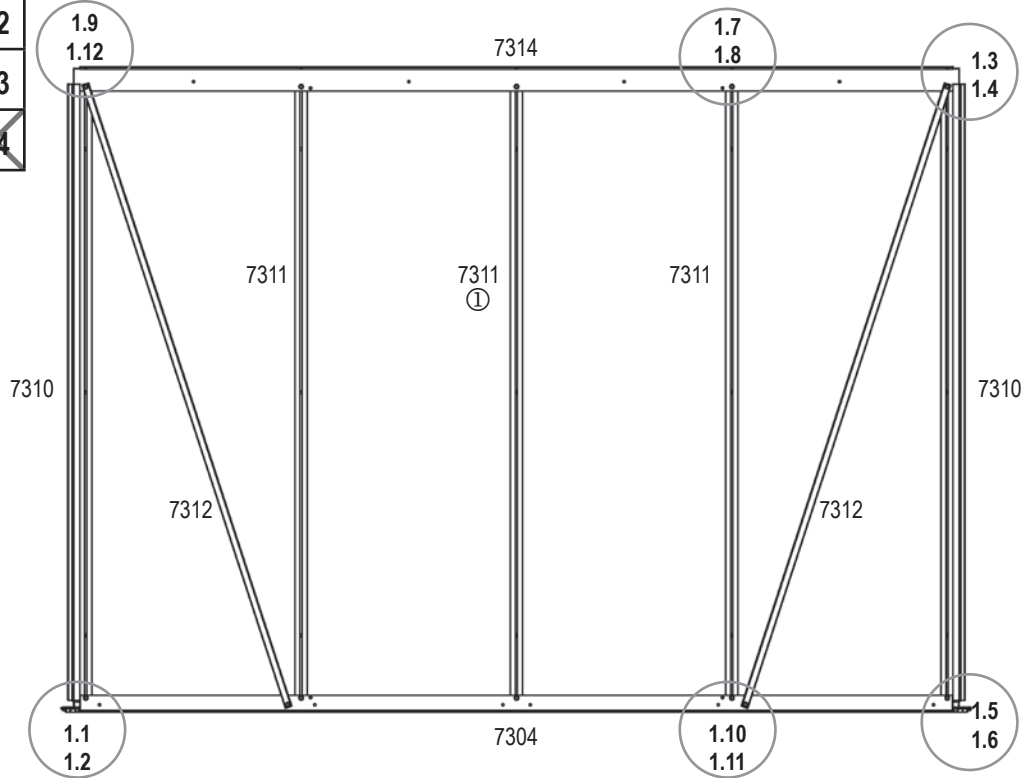
② Alternative options

# 1

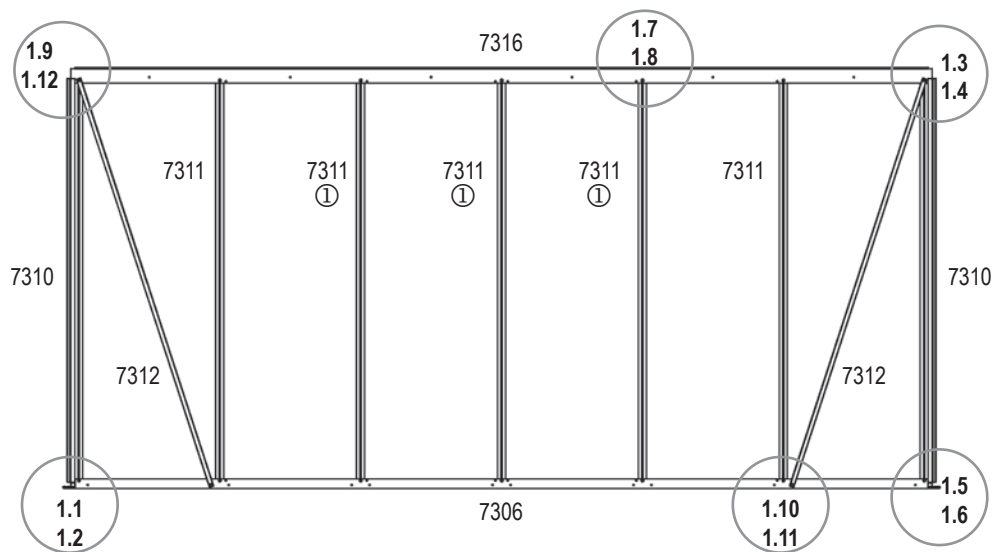











- V1
- V2
- V3
- ~~V4~~

## 7800

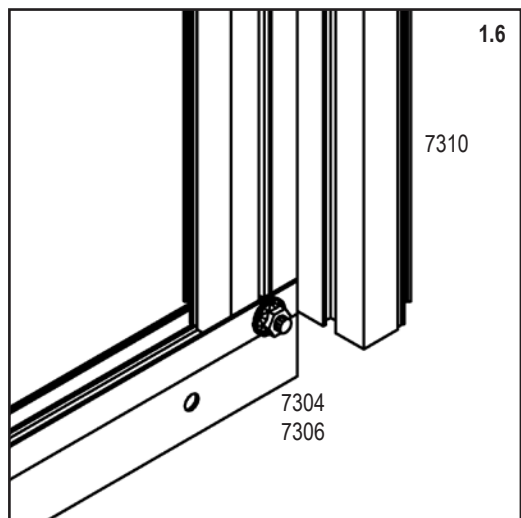
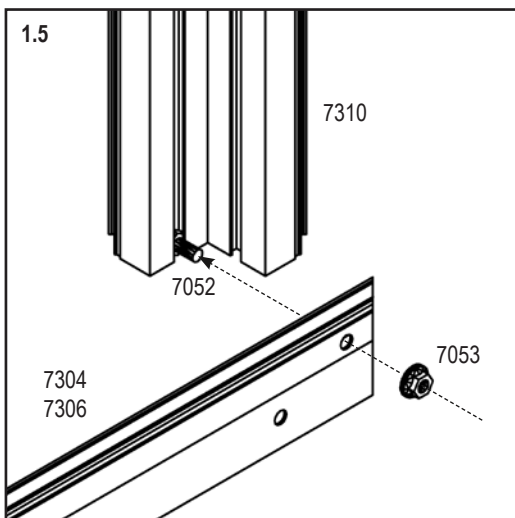
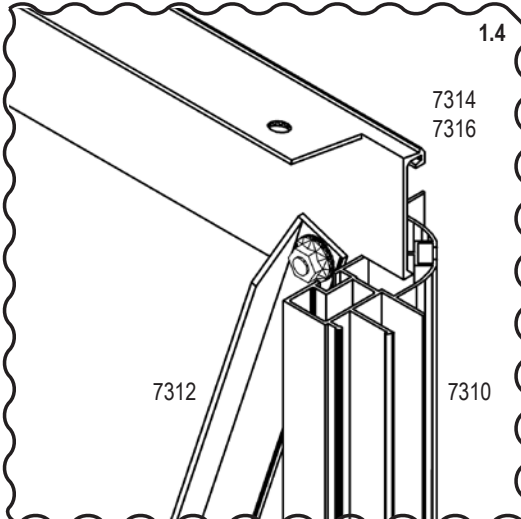
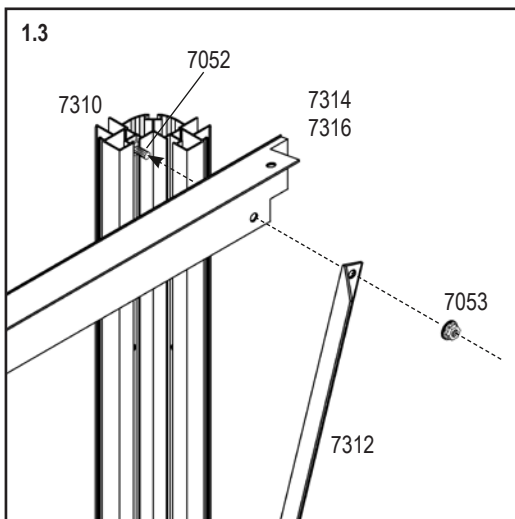
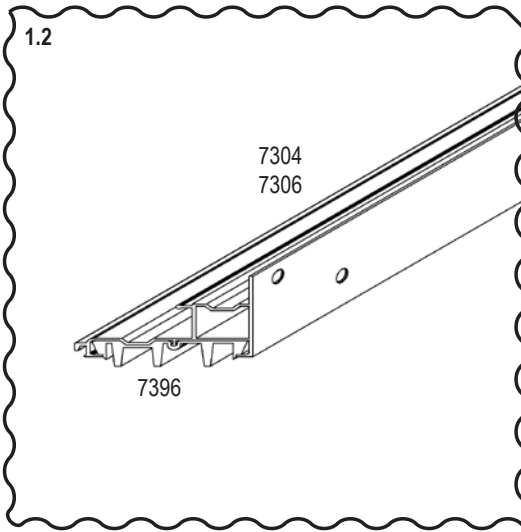
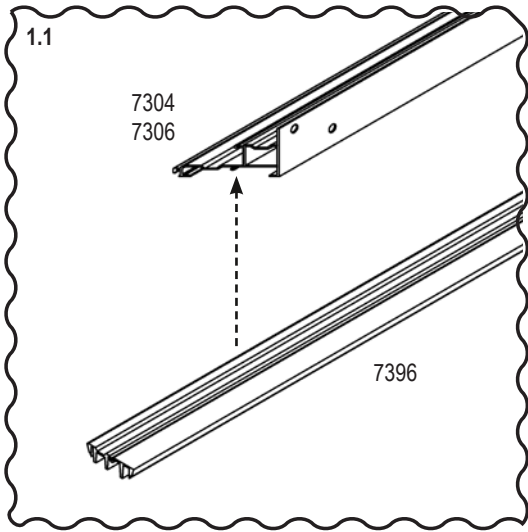


## 11500

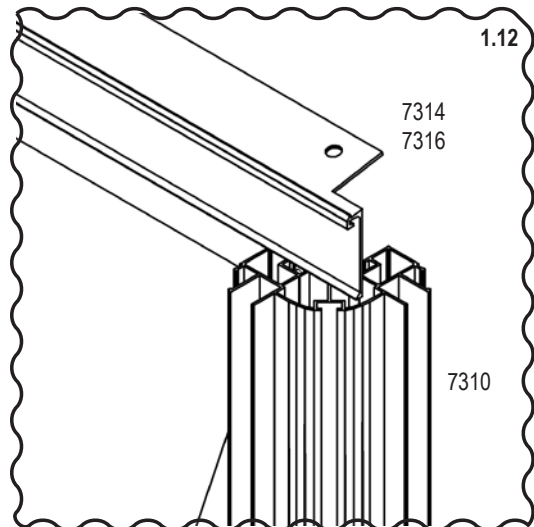
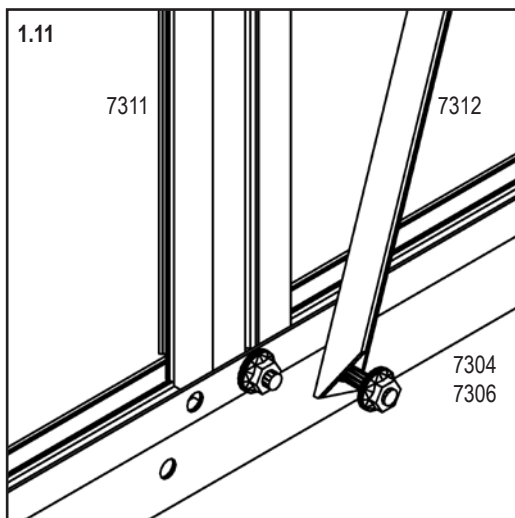
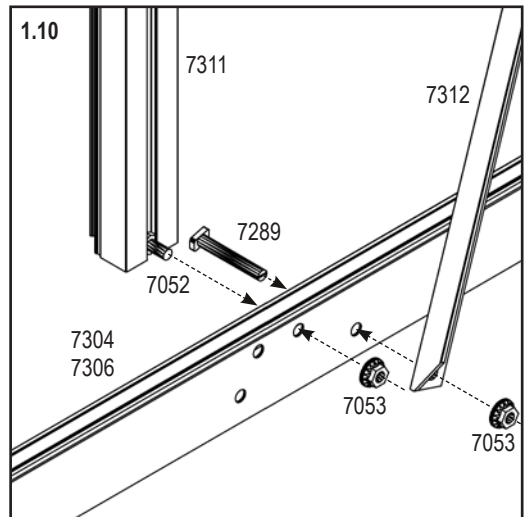
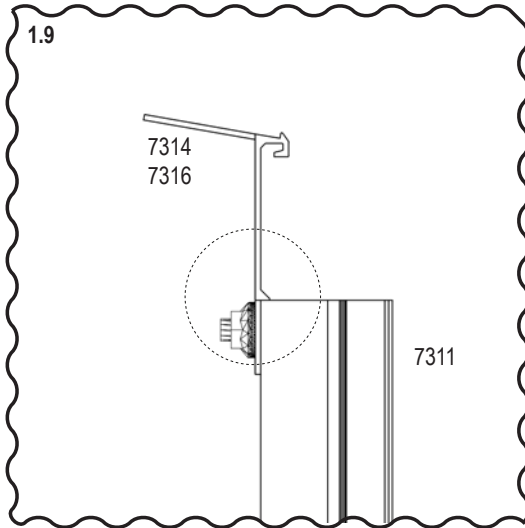
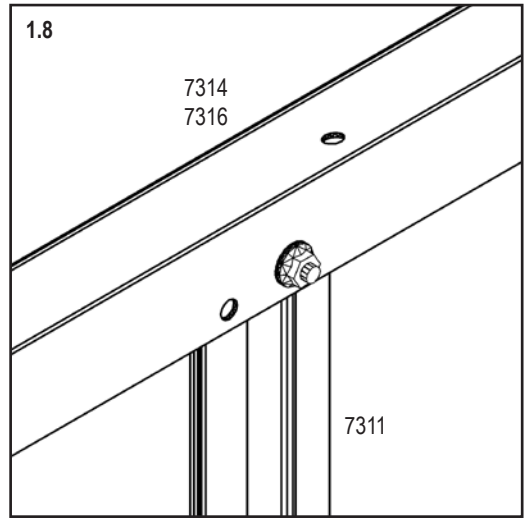
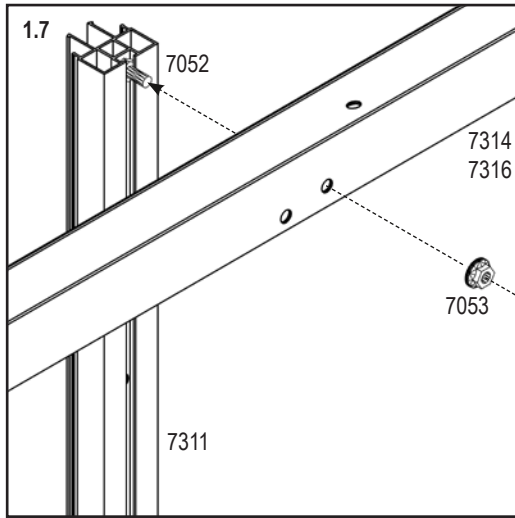


7800	11500
7052	
10x	14x
7053	
12x	16x
7289	
2x	2x
	
7304	7306
1x	1x
7310	
2x	2x
7311	
3x	5x
7312	
2x	2x
	
7314	7316
1x	1x
7396	
1x	1x

# 1

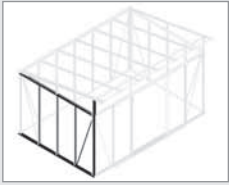


# 1



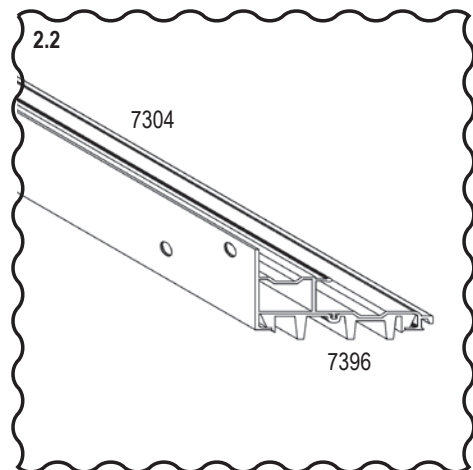
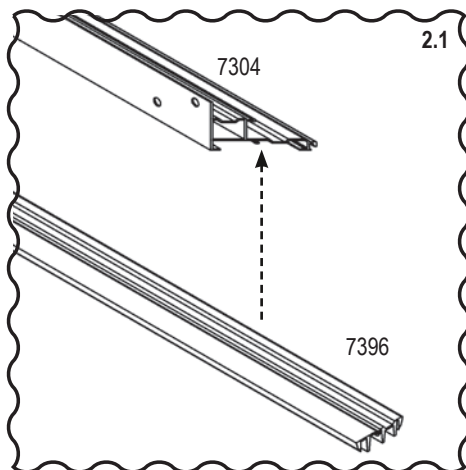
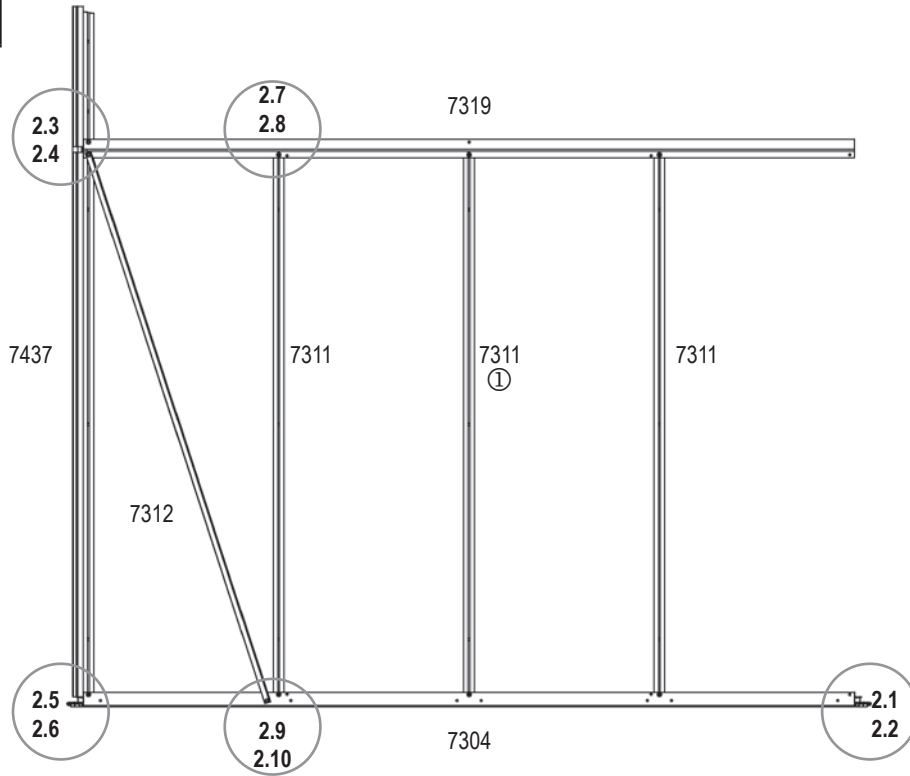


# 2

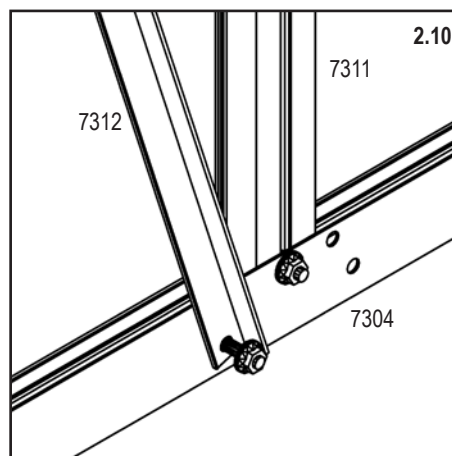
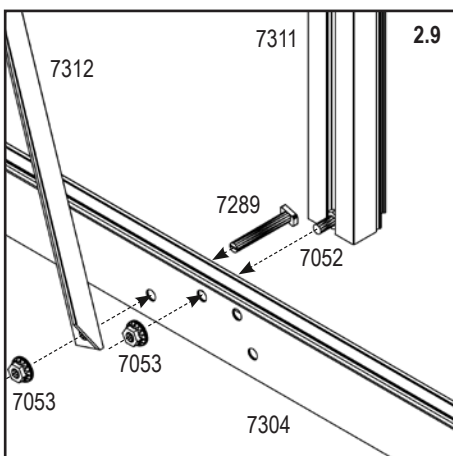
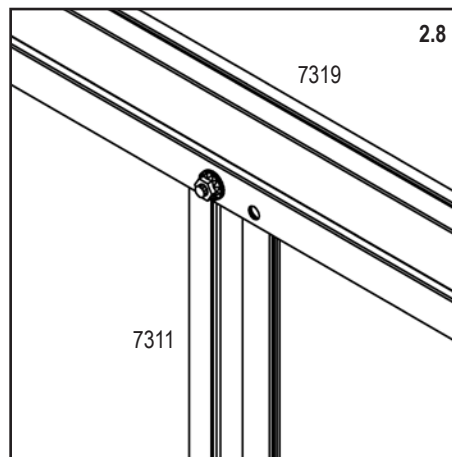
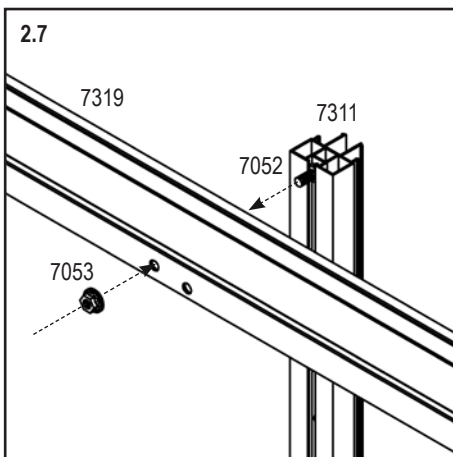
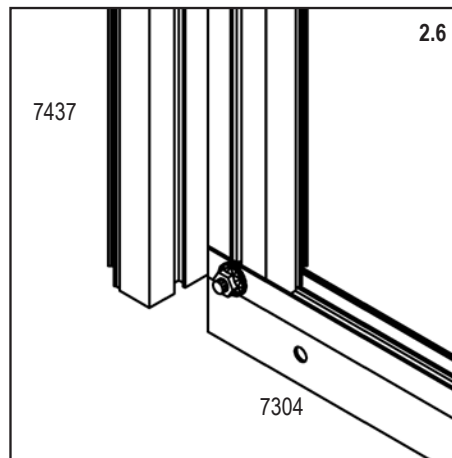
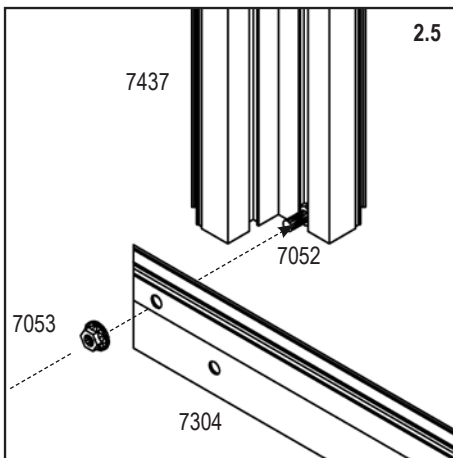
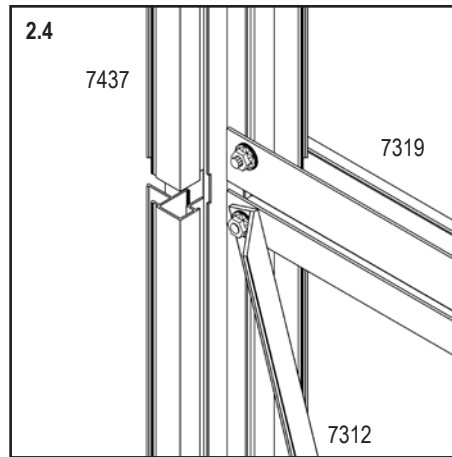
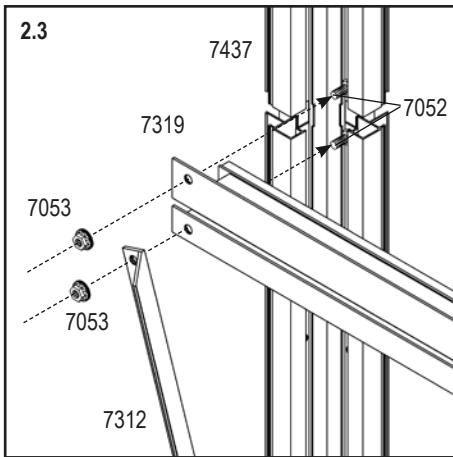


- V1
- V2
- V3
- V4

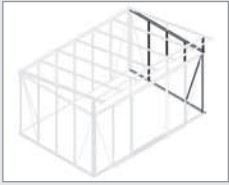
All Models	
7052 9x	
7053 10x	
7289 1x	
7304 1x	
7311 3x	
7312 1x	
7319 1x	
7396 1x	
7437 1x	



# 2

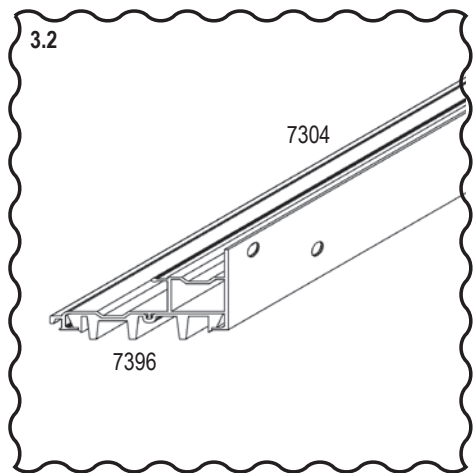
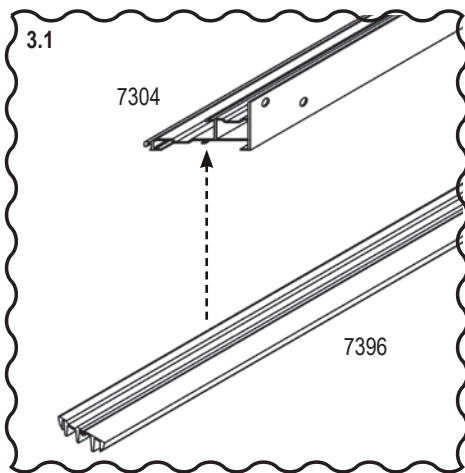
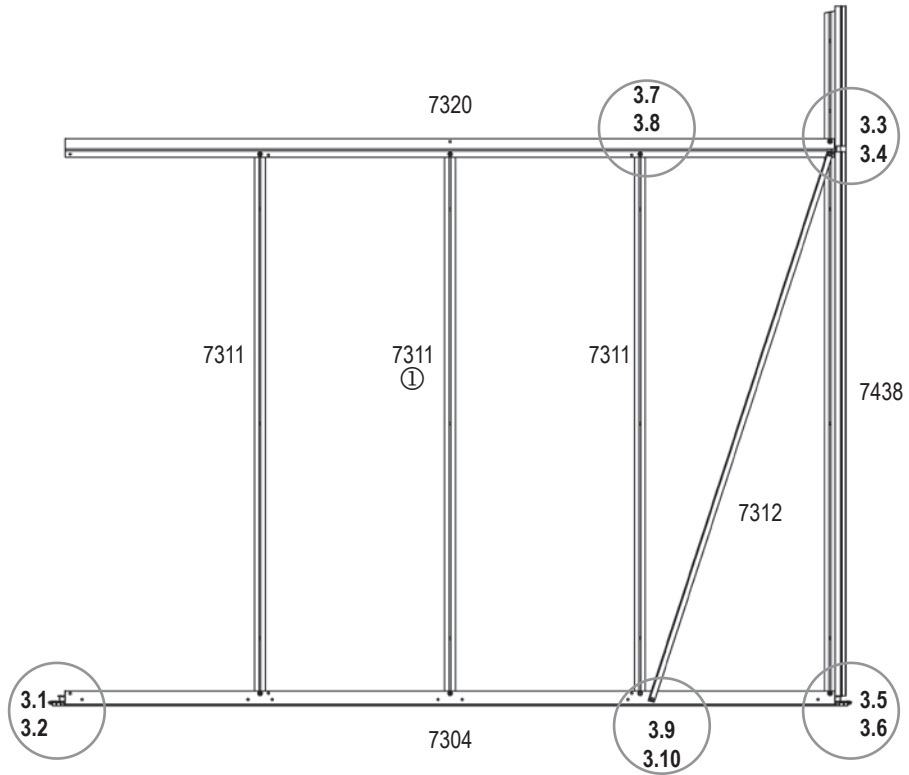


# 3

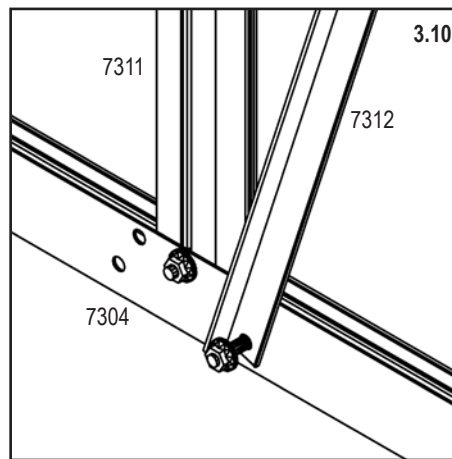
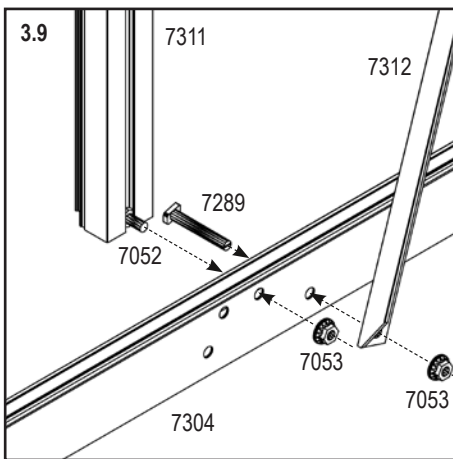
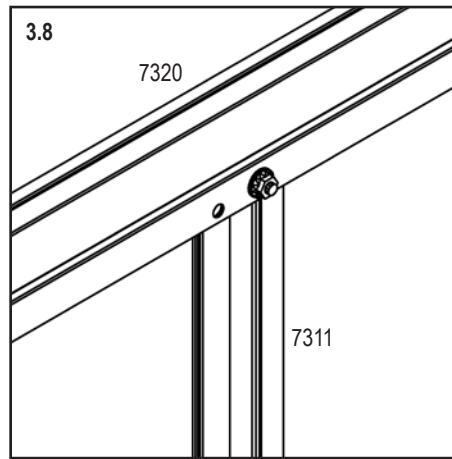
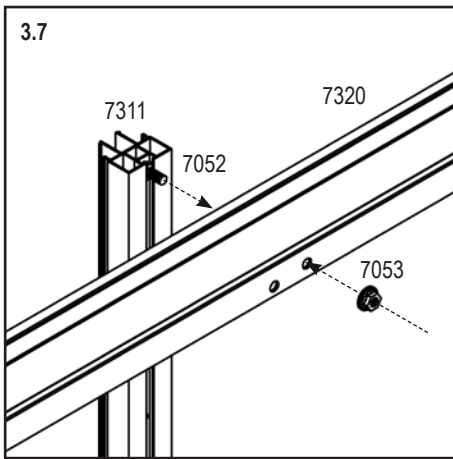
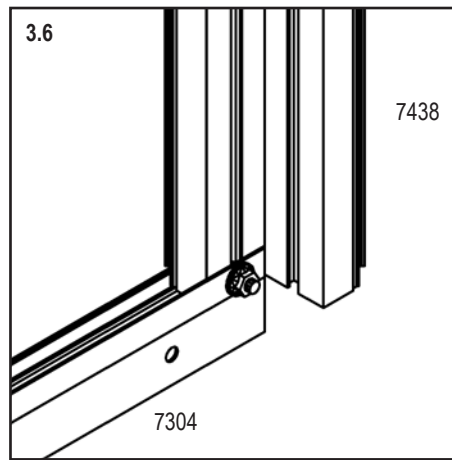
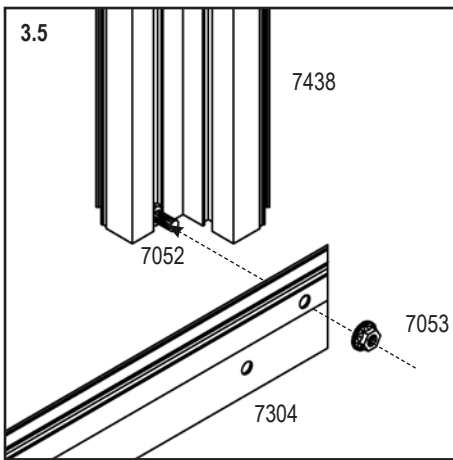
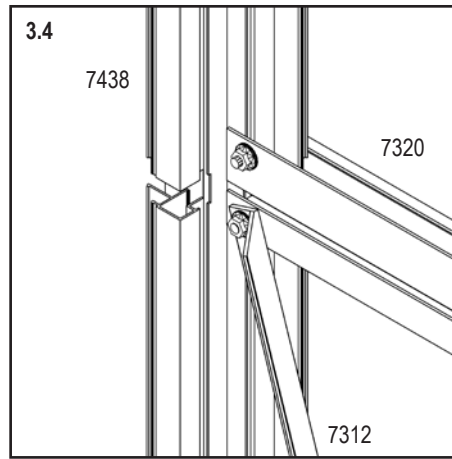
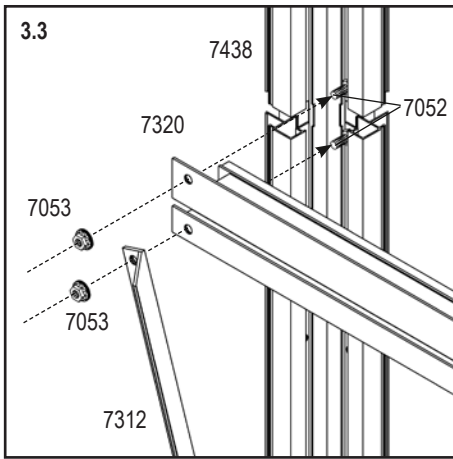


- V1
- V2
- ~~V3~~
- V4

All Models	
7052 9x	
7053 10x	
7289 1x	
7304 1x	
7311 3x	
7312 1x	
7320 1x	
7396 1x	
7438 1x	



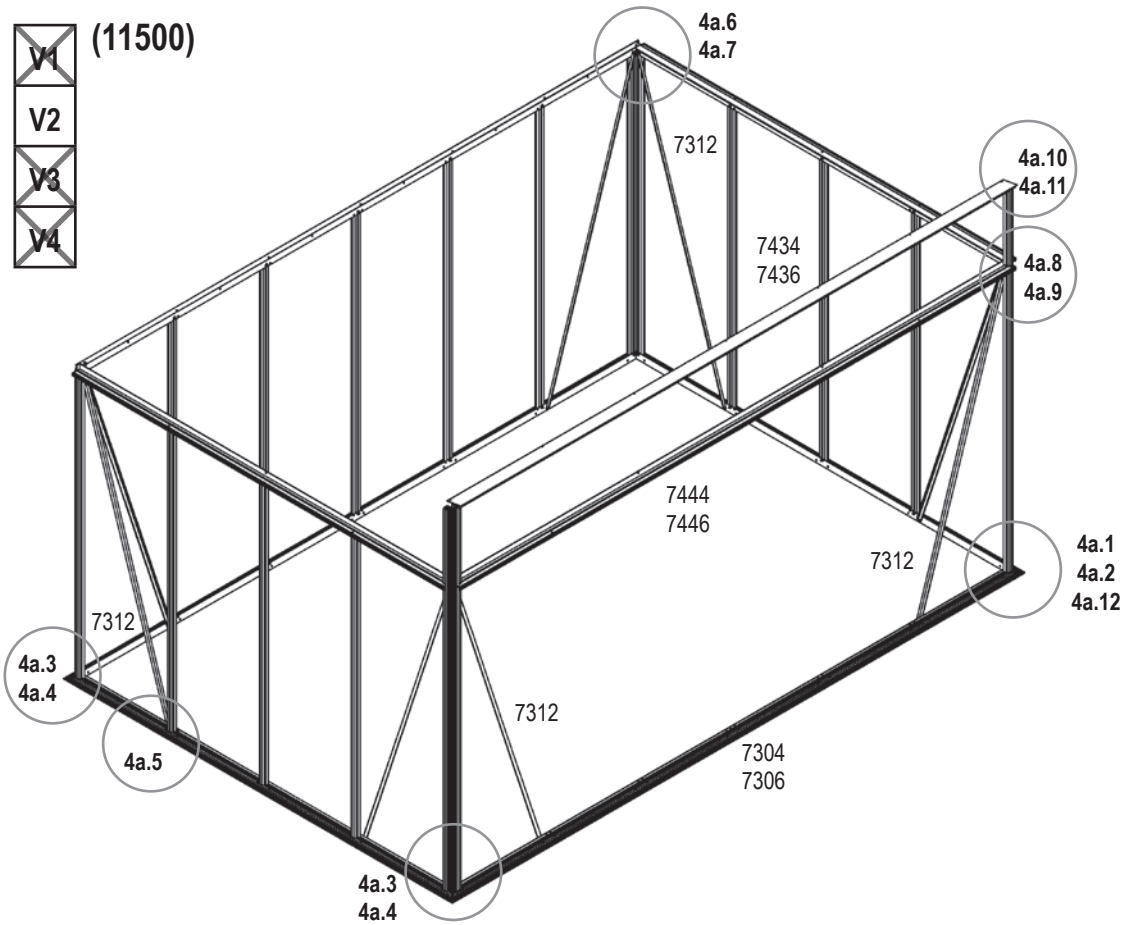
# 3



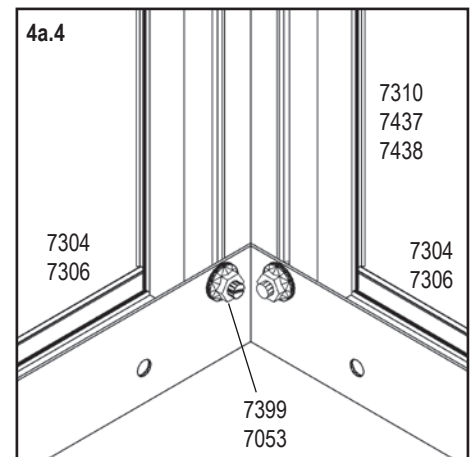
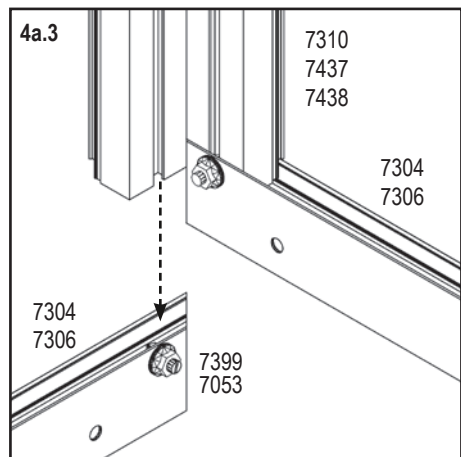
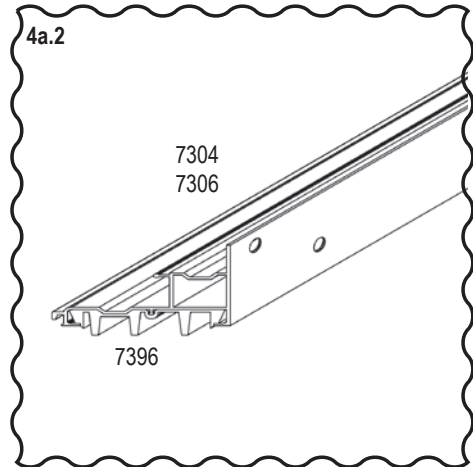
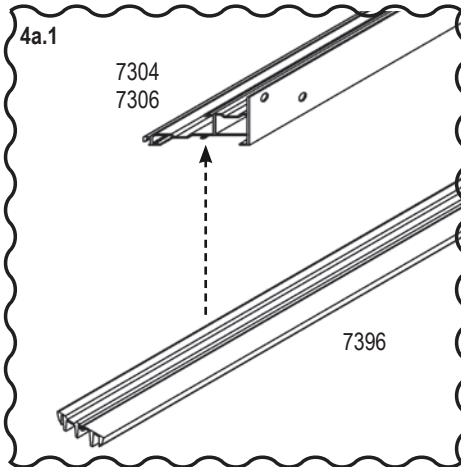
# 4a



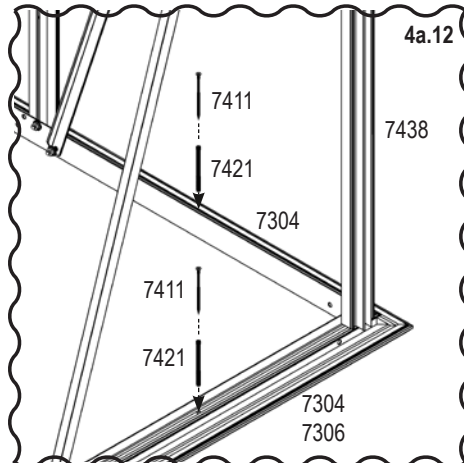
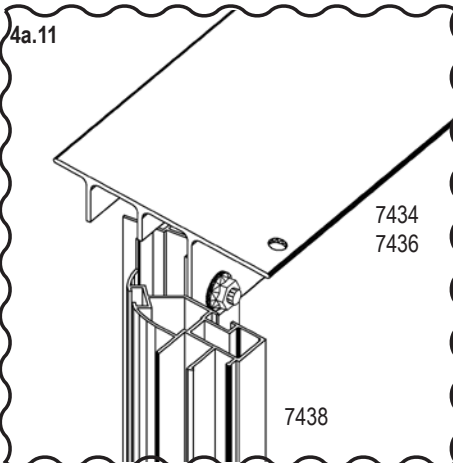
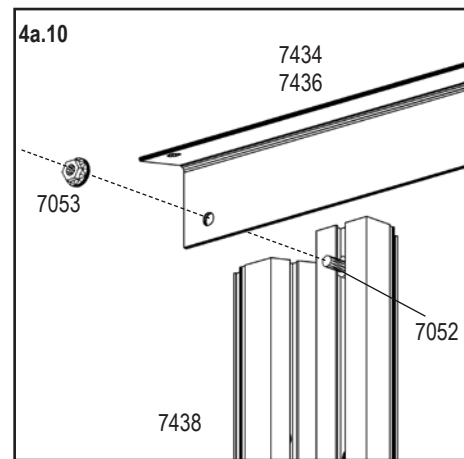
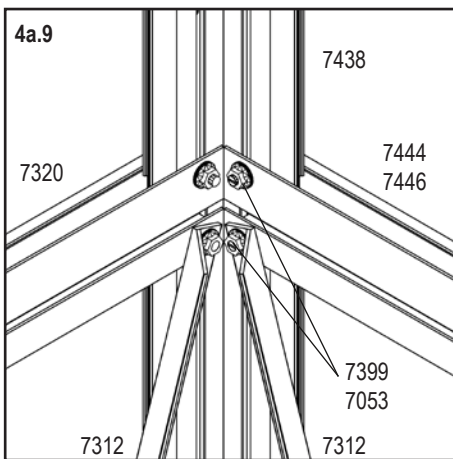
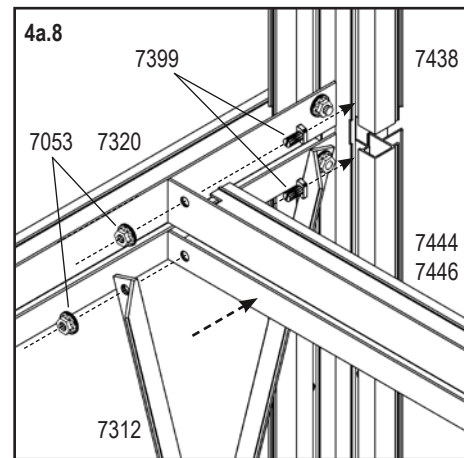
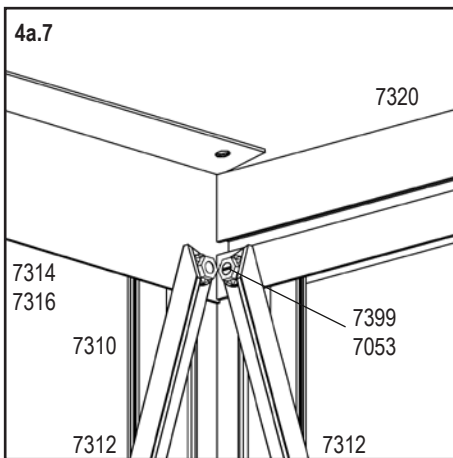
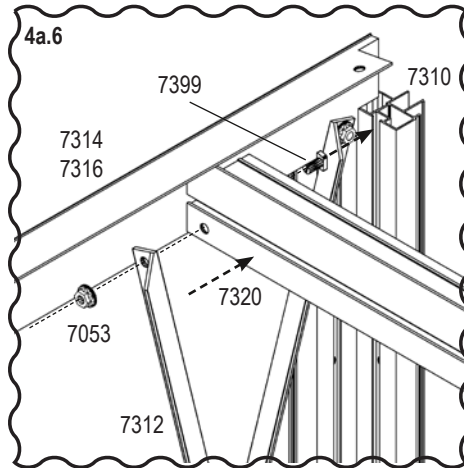
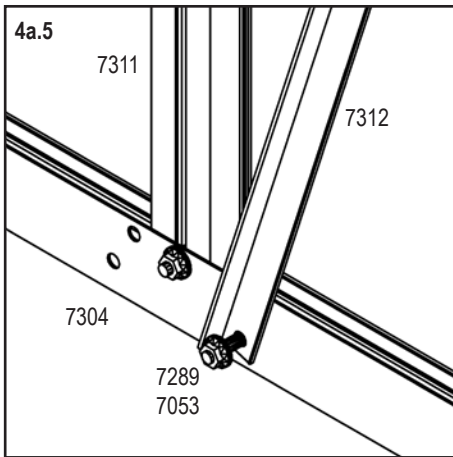
(11500)



7800	11500
7052	
2x	2x
7053	
16x	16x
7289	
4x	4x
7304	7306
1x	1x
7312	
4x	4x
7396	
1x	1x
7399	
10x	10x
7411	
16x	20x
7421	
16x	20x
7434	7436
1x	1x
7444	7446
1x	1x

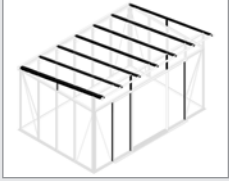
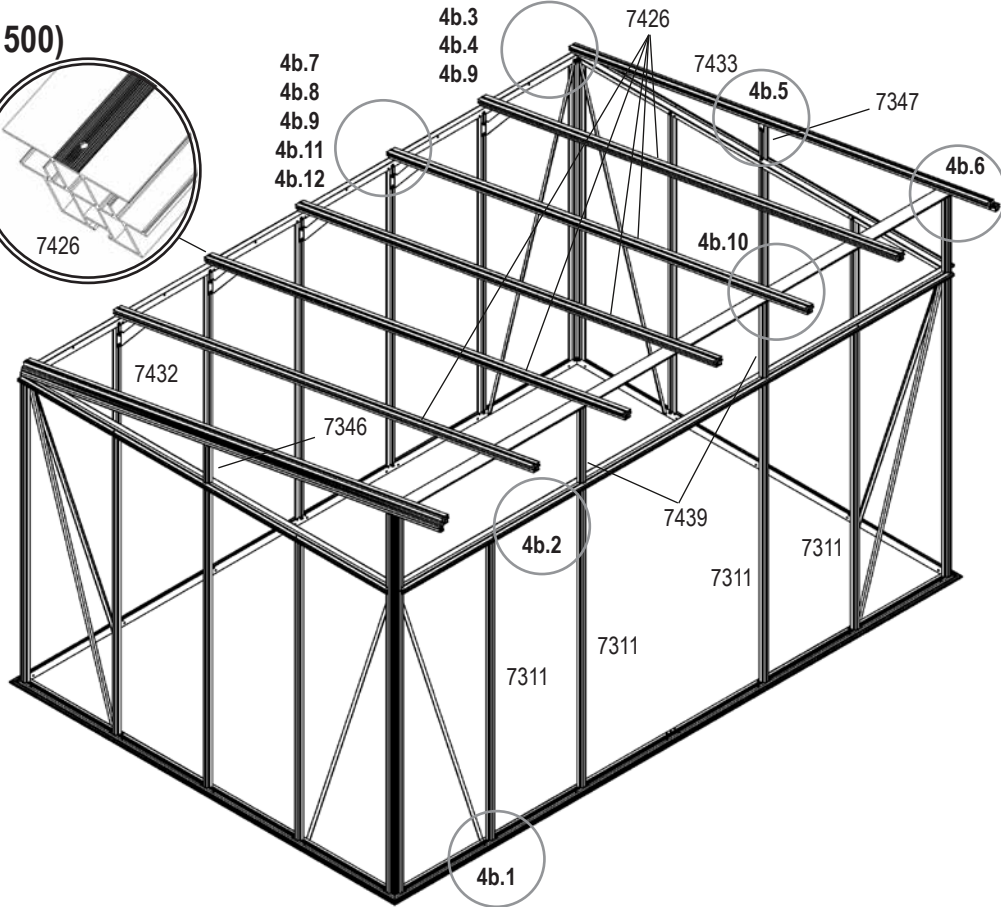
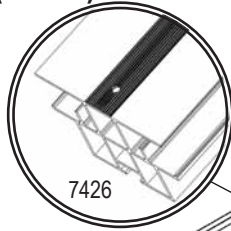


# 4a

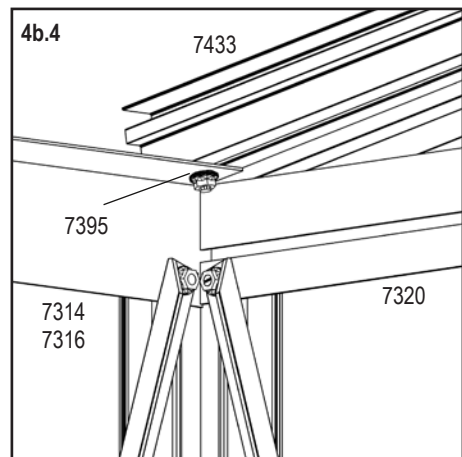
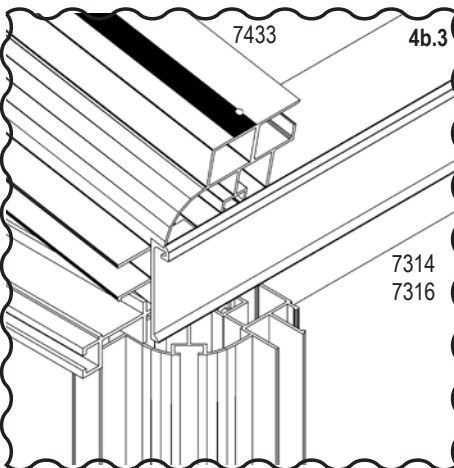
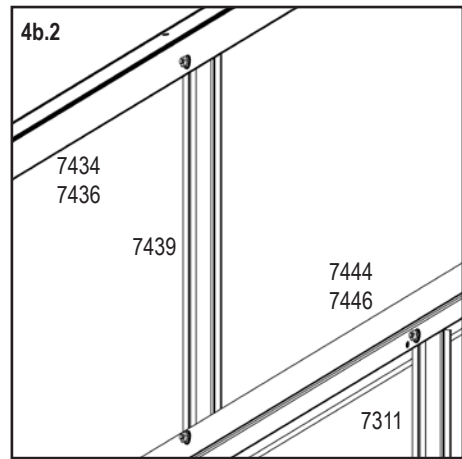
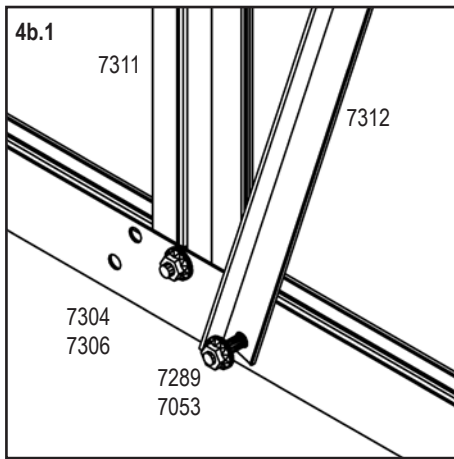


# 4b

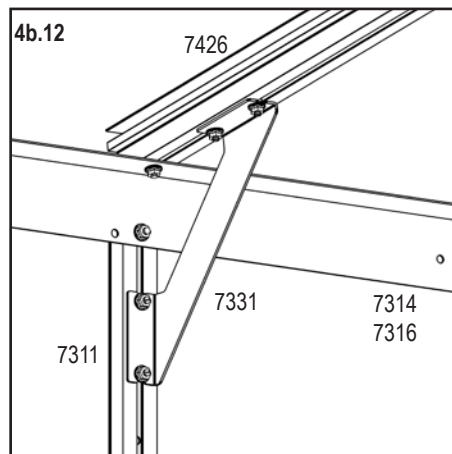
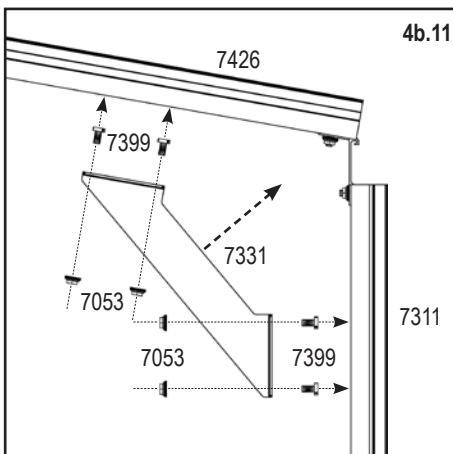
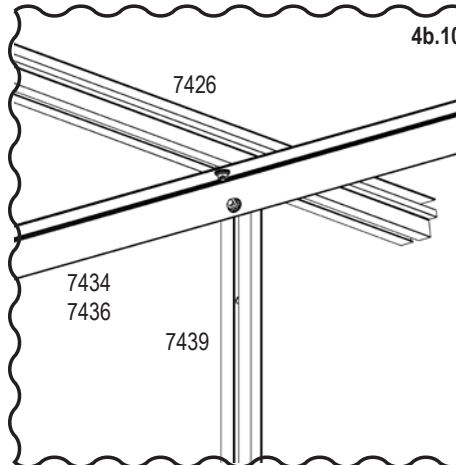
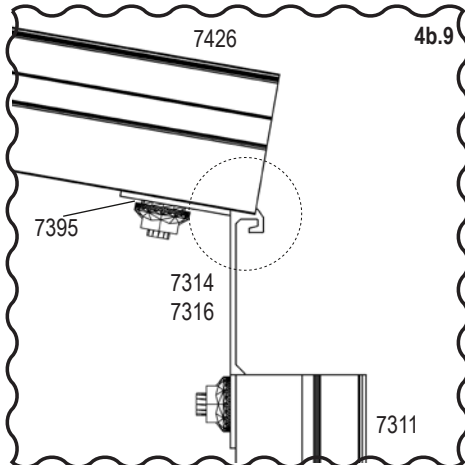
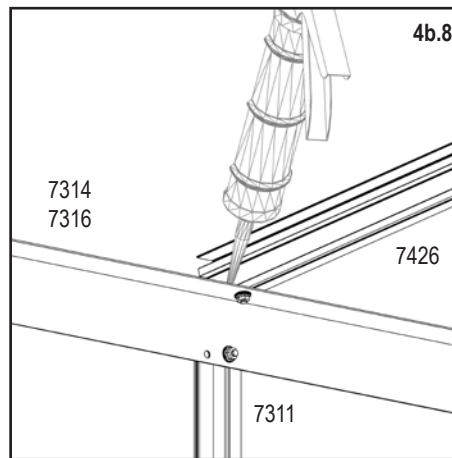
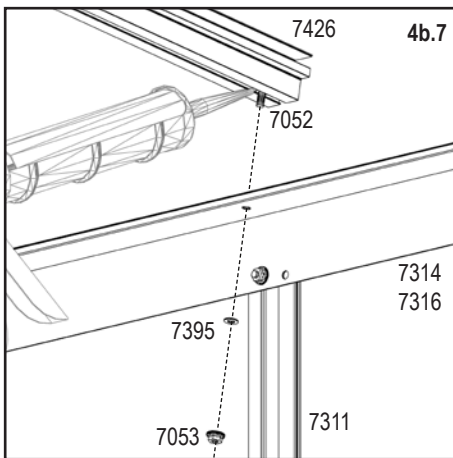
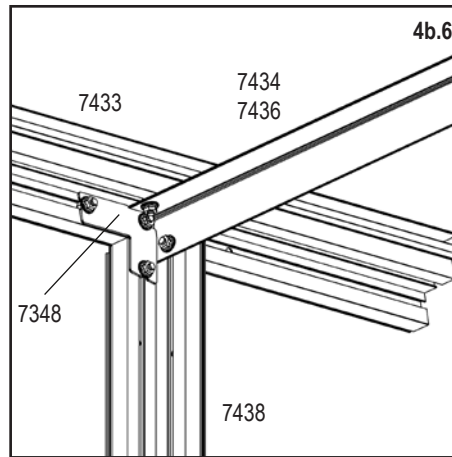
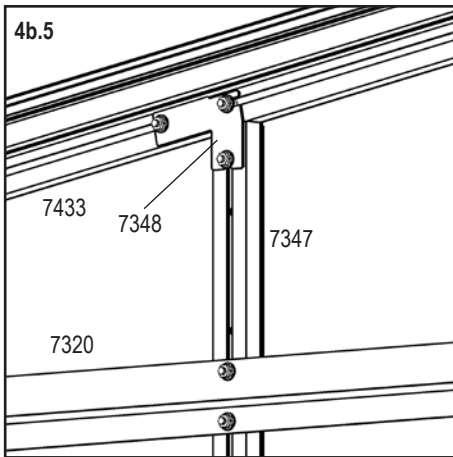
(11500)



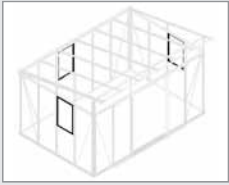
7800	11500
7052	
30x	40x
7053	
42x	60x
7311	
2x	4x
7331	
3x	5x
7346	
1x	1x
7347	
1x	1x
7348	
4x	4x
7395	
5x	7x
7399	
12x	20x
7426	
3x	5x
7432	
1x	1x
7433	
1x	1x
7439	
1x	2x















# 4b

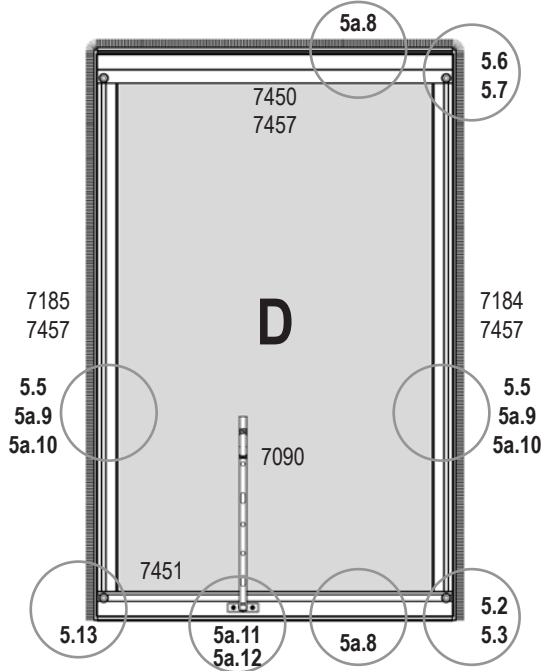


# 5a

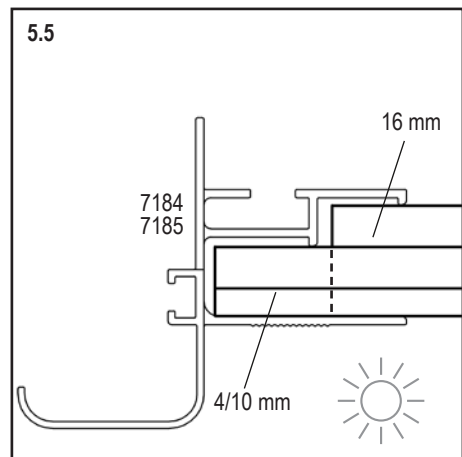
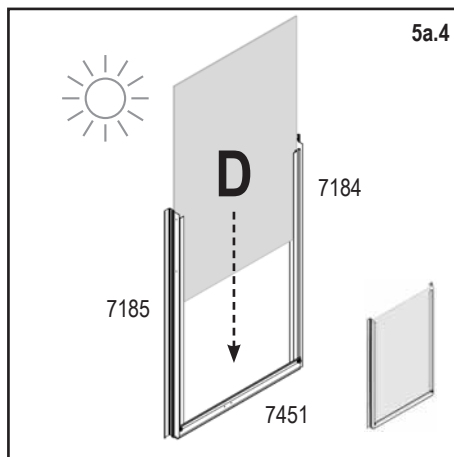
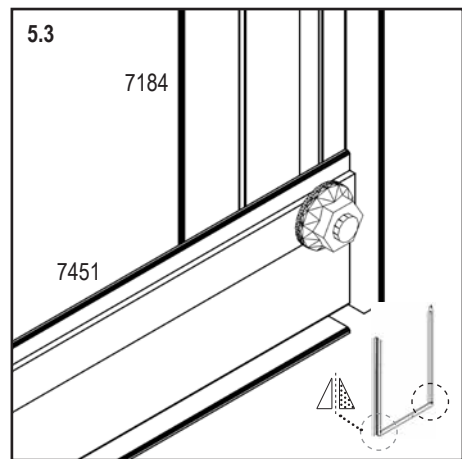
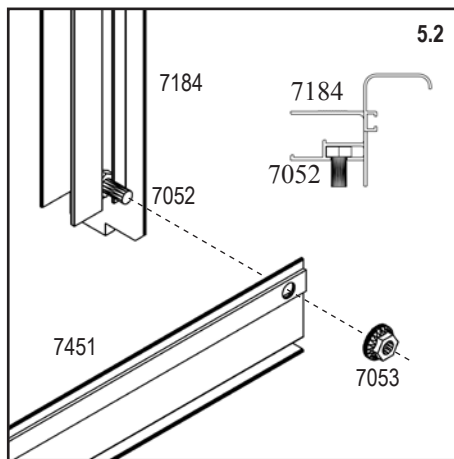


## All Models

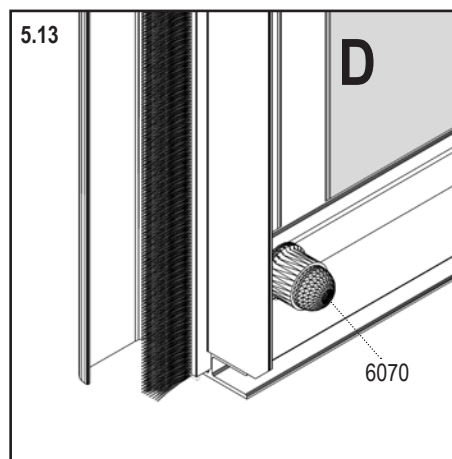
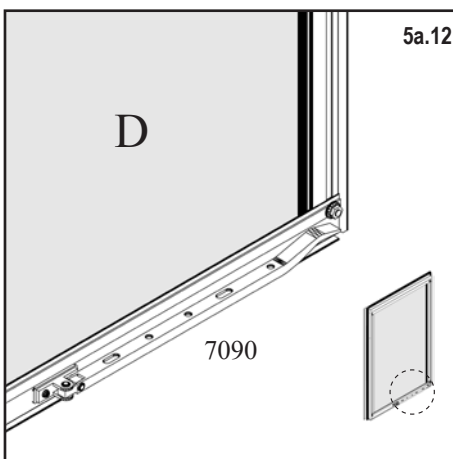
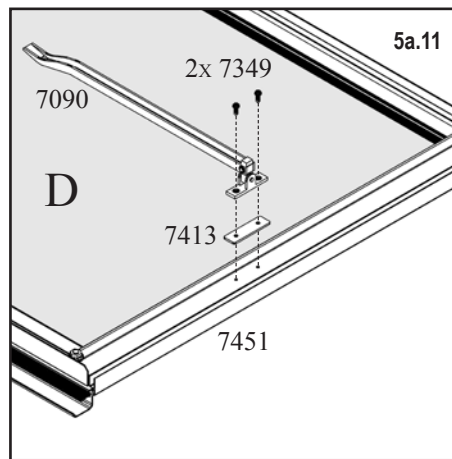
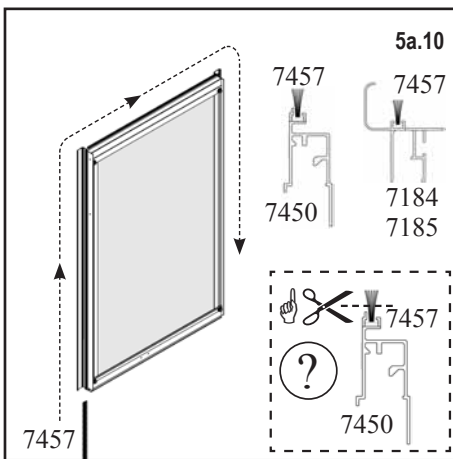
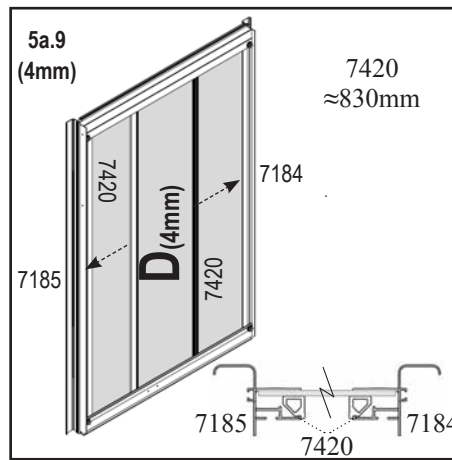
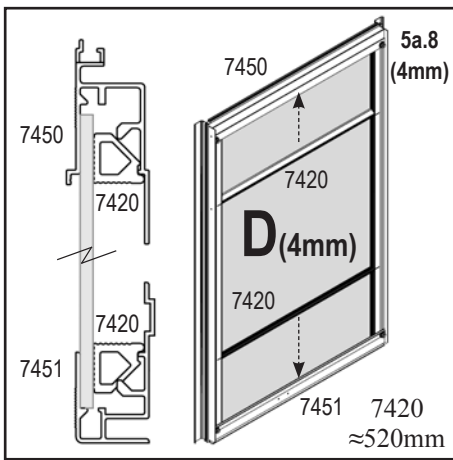
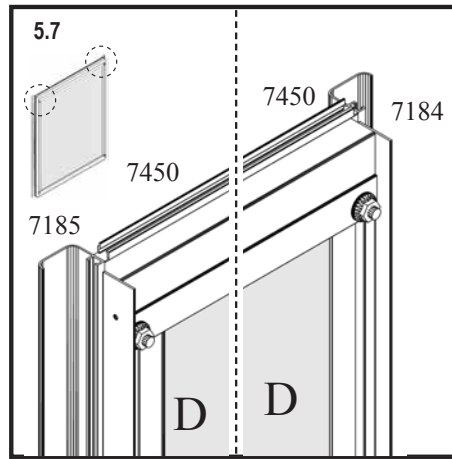
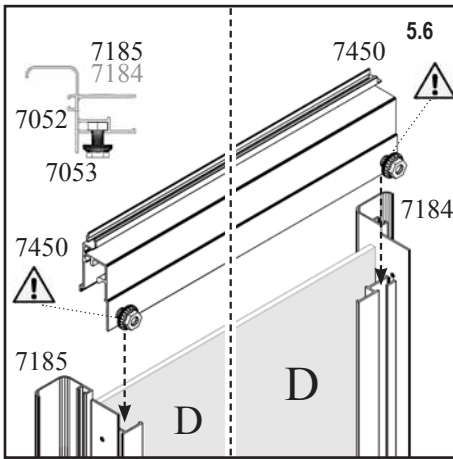
- 6070  
4x 3 
- 7052  
4x 3 
- 7053  
4x 3 
- 7090  
1x 3 
- 7184  
1x 3 
- 7185  
1x 3 
- 7349  
2x 3 
- 7413  
1x 3 
- 7420  
1x 3 
- 7450  
1x 3 
- 7451  
1x 3 
- 7457  
1x 3 



5a.1	FPG		PC				QUANTITY / MODEL	
	4 MM		10 MM		16 MM		7800	11500
	ART. No.	MM	ART. No.	MM	ART. No.	MM		
D	40000657	555 x 870	369581	555 x 870	40000695	519 x 851	1x 3	1x 3

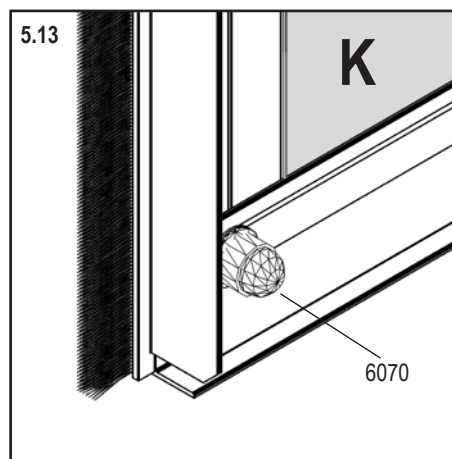
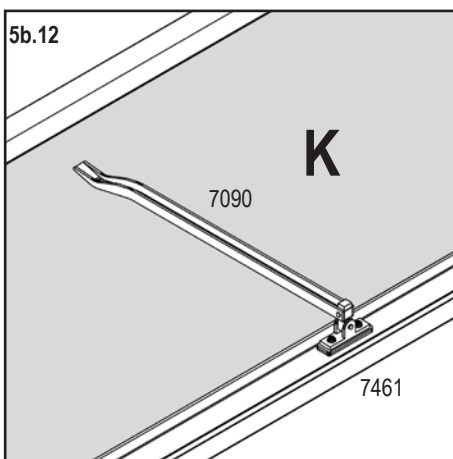
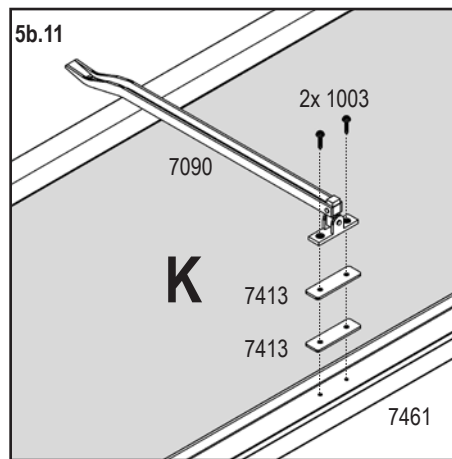
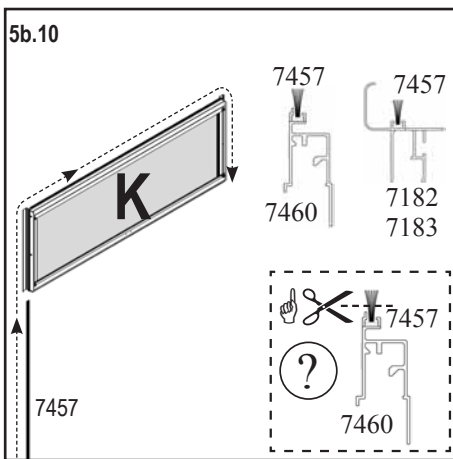
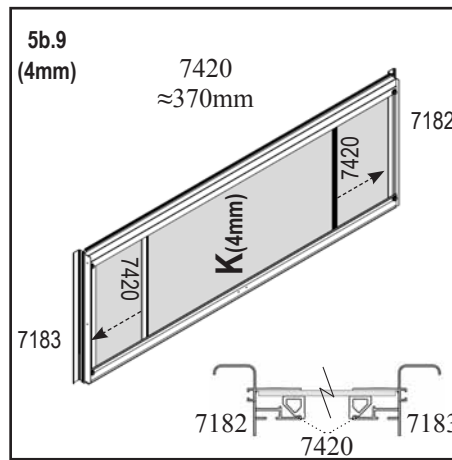
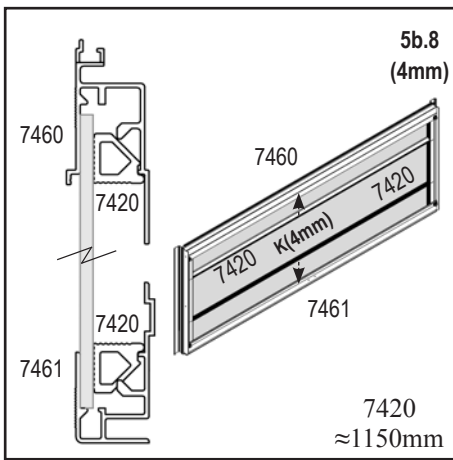
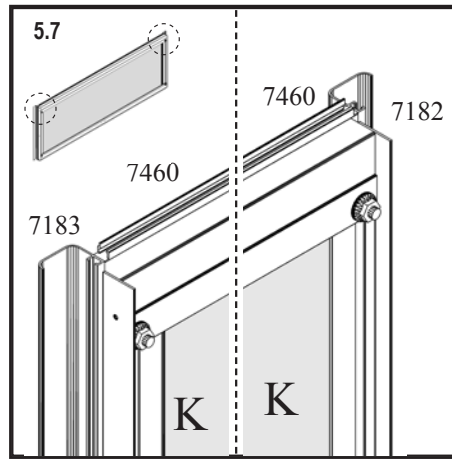
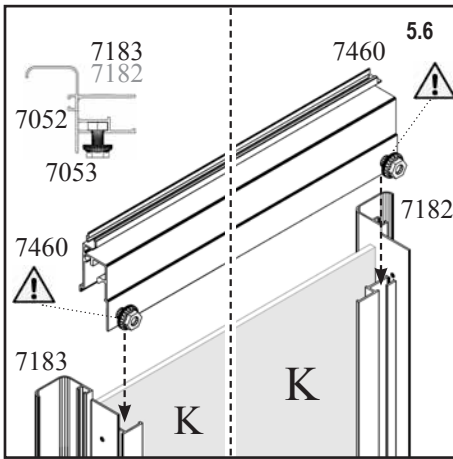


# 5a

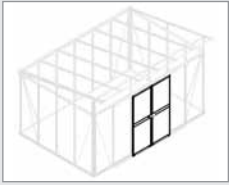












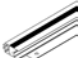











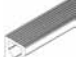


# 5b

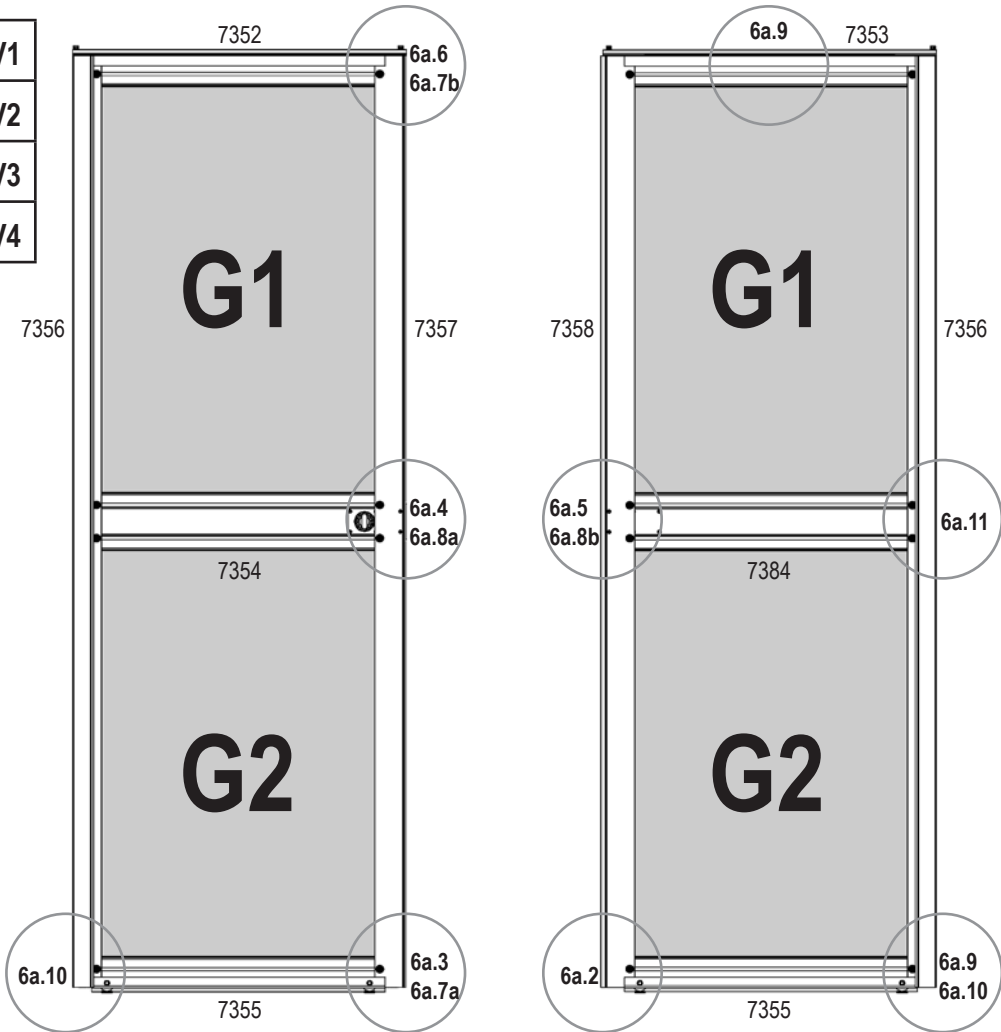




# 6a

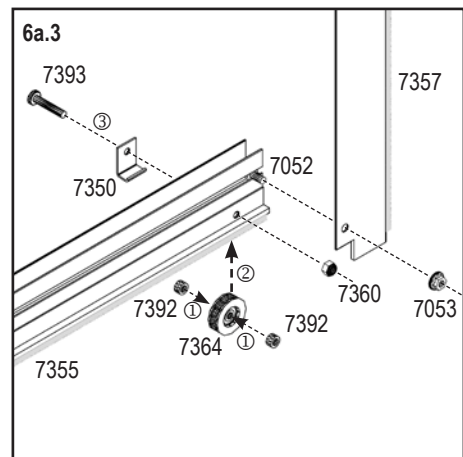
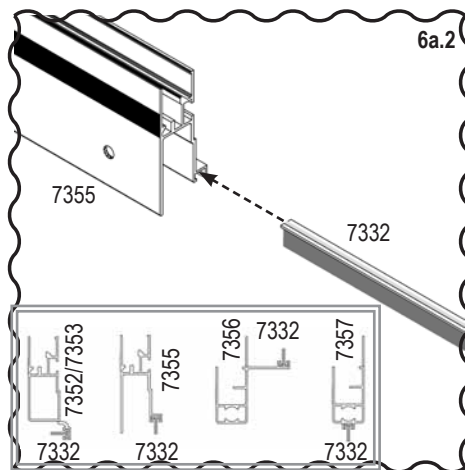


- All Models**
- 2271 4x 
  - 7052 16x 
  - 7053 16x 
  - 7332 1x 
  - 7350 4x 
  - 7352 1x 
  - 7353 1x 
  - 7354 1x 
  - 7355 2x 
  - 7356 2x 
  - 7357 1x 
  - 7358 1x 
  - 7360 4x 
  - 7364 4x 
  - 7384 1x 
  - 7392 8x 
  - 7393 4x 
  - 7400 1x 
  - 7401 1x 
  - 7402 1x 
  - 7404 8x 
  - 7405 4x 
  - 7420 1x 

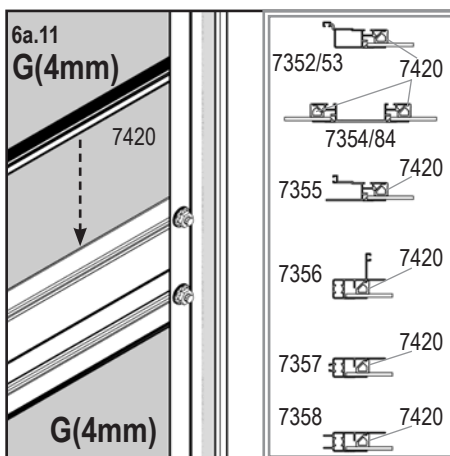
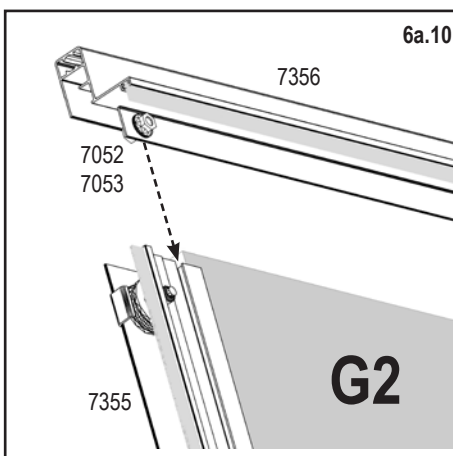
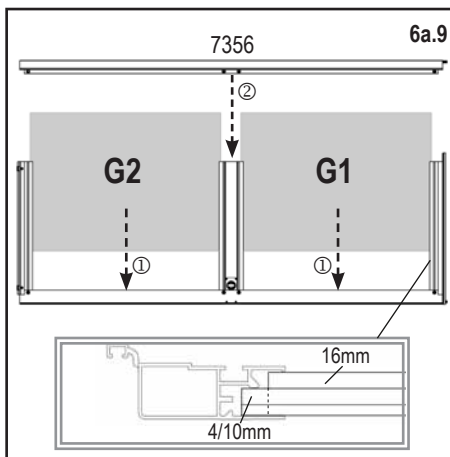
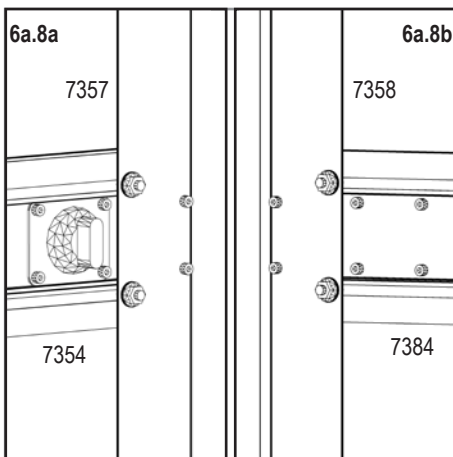
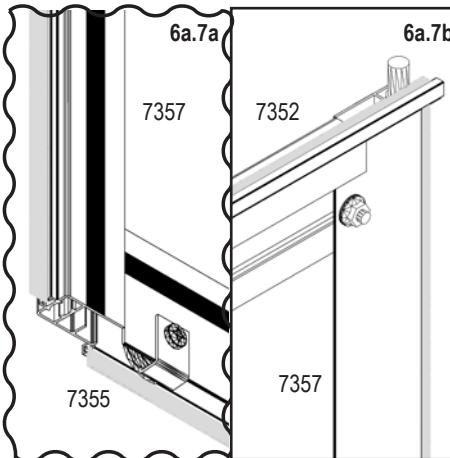
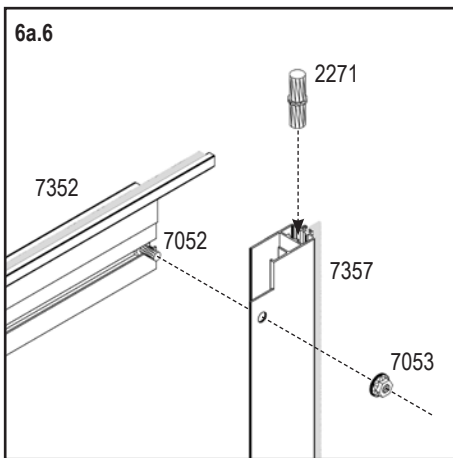
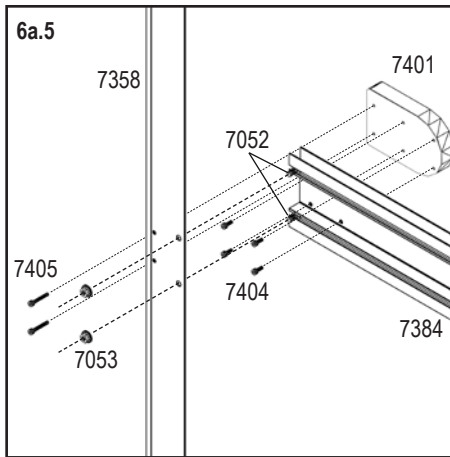
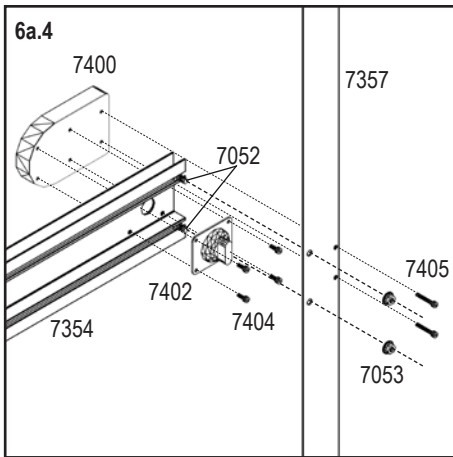
- V1
- V2
- V3
- V4



6a.1	ASP		FPG		PC				QUANTITY / MODEL	
	4 MM		4 MM		10 MM		16 MM		7800	11500
	ART. No.	MM	ART. No.	MM	ART. No.	MM				
G1 	-	367853	619 x 843 x 4	369586	619 x 843	369596	595 x 823	2x	2x	
G2 	40006174	367853	619 x 843 x 4	369586	619 x 843	369596	595 x 823	2x	2x	



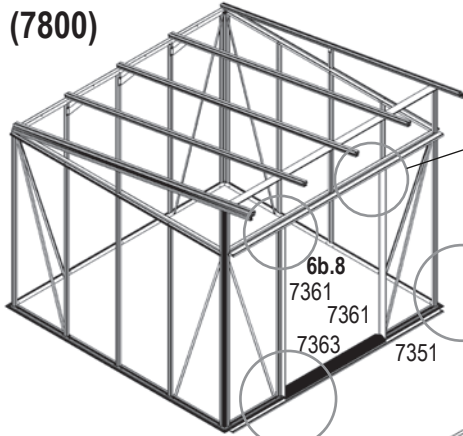
# 6a



# 6b



(7800)

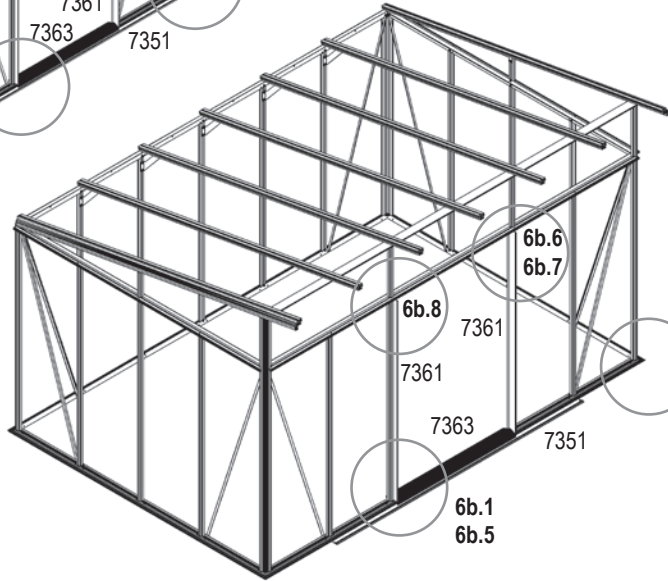


6b.6  
6b.7

6b.8  
7361  
7361  
7363  
7351

6b.2  
6b.9  
6b.10

(11500)



6b.3  
6b.11

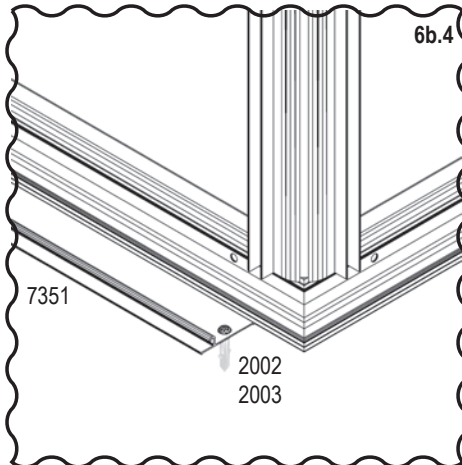
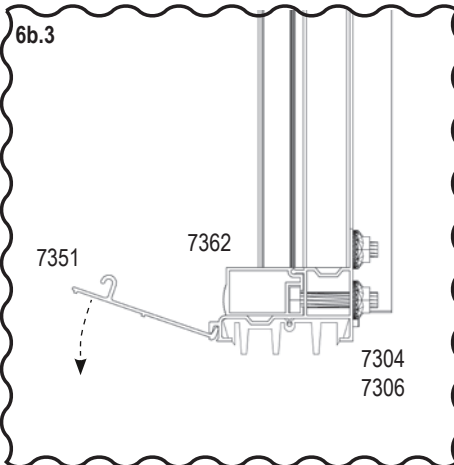
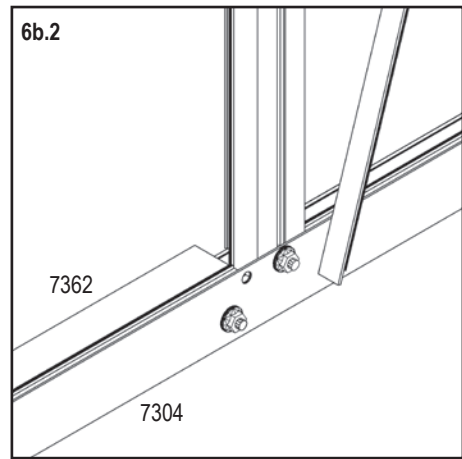
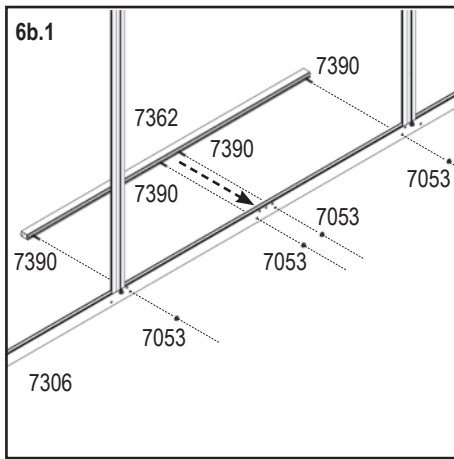
6b.6  
6b.7

6b.8  
7361  
7361

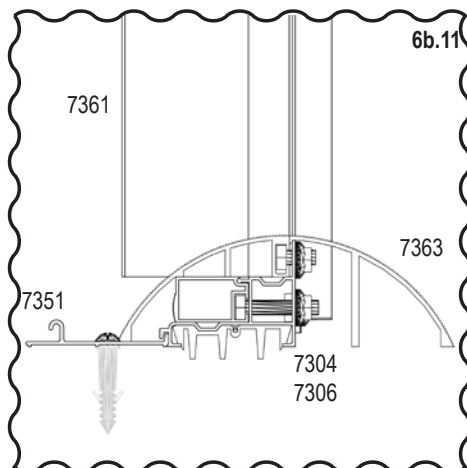
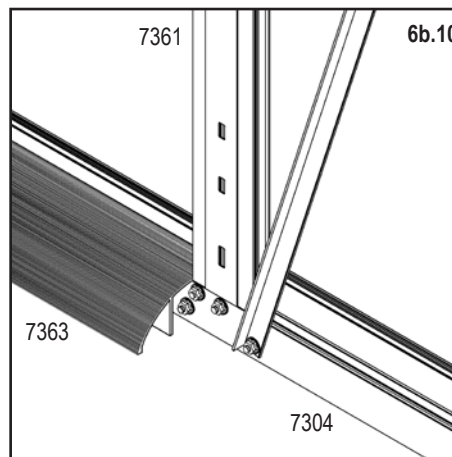
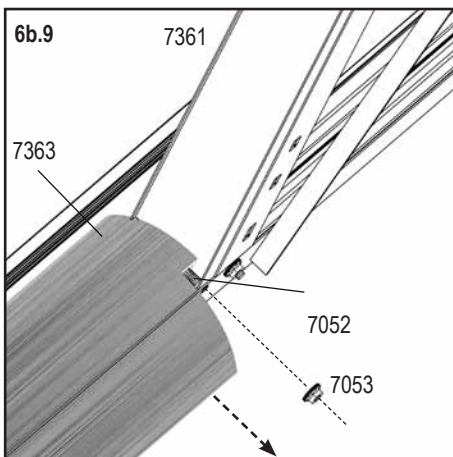
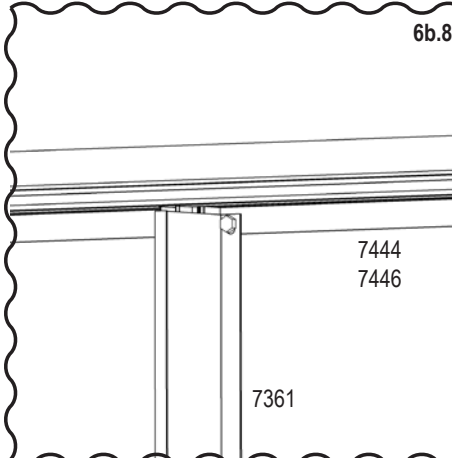
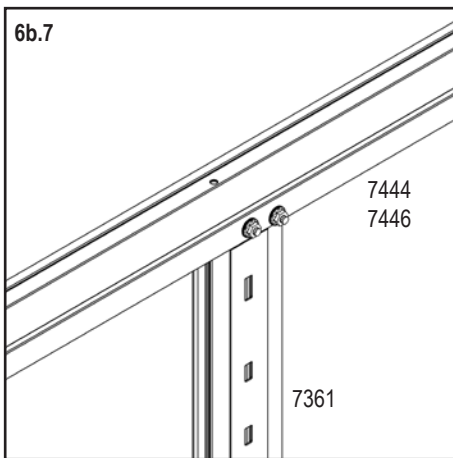
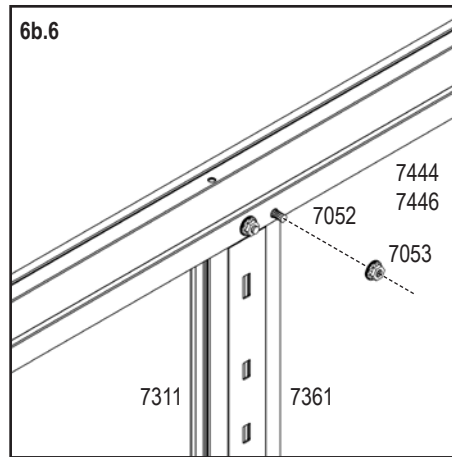
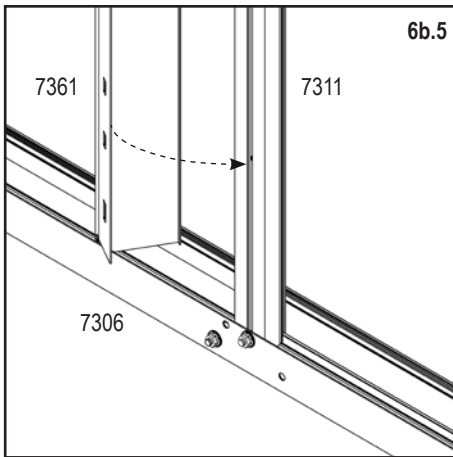
7363  
7351

6b.1  
6b.5

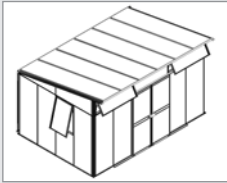
All Models	
2002 2x	
2003 2x	
7052 4x	
7053 8x	
7351 1x	
7361 2x	
7362 1x	
7363 1x	
7390 4x	



# 6b



# 7

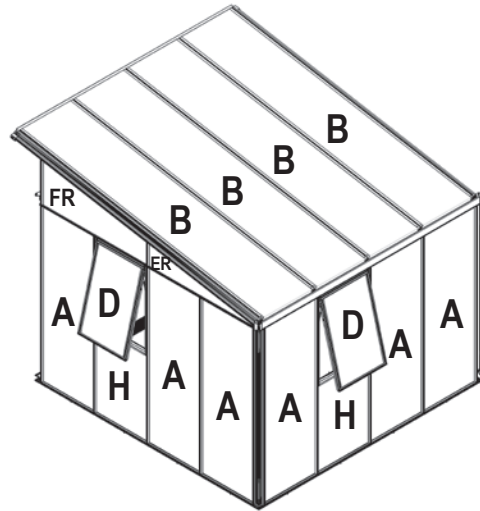
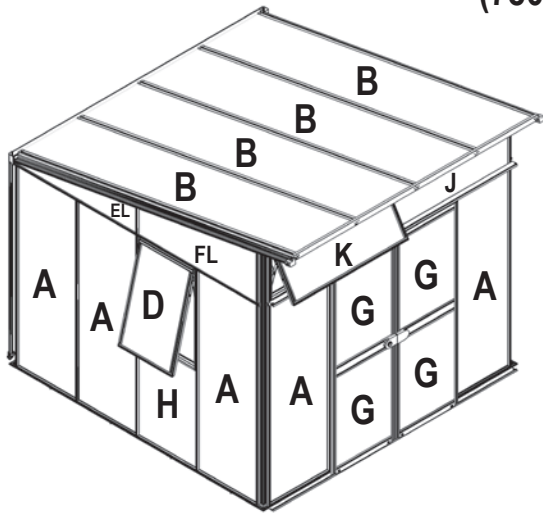


G1	FPG		PC				QUANTITY / MODEL	
	≤ 4 MM		10 MM		16 MM		7800	11500
	ART. No.	MM	ART. No.	MM	ART. No.	MM		
7.1								
A	367850	610 x 1816	40000893	610 x 1816	40000894	610 x 1816	11x	15x
B	-	-	40000856	610 x 2926	-	-	4x	6x
D	40000657	555 x 870 x 4	369581	555 x 870	40000695	519 x 852	3x	3x
EL	367851	1239 x 230/11.5	40000895	1239 x 230/11.5	40000896	1239 x 230/11.5	1x	1x
ER			40000897		40000898		1x	1x
FL	367852	1239 x 452/233.5	40000899	1239 x 452/233.5	40000901	1239 x 452/233.5	1x	1x
FR			40000900		40000902		1x	1x
G	367853	619 x 843 x 4	369586	619 x 843	369596	595 x 823	4x	4x
H	40000658	610 x 895	40000696	610 x 895	40000697	610 x 895	3x	3x
J	40000854	1239 x 475	40000857	1239 x 475	40000859	1239 x 475	1x	1x
K	40000855	1182 x 411 x 4	40000858	1182 x 411	40000860	1149 x 393	1x	2x
<b>TOTAL</b>							<b>31x</b>	<b>38x</b>

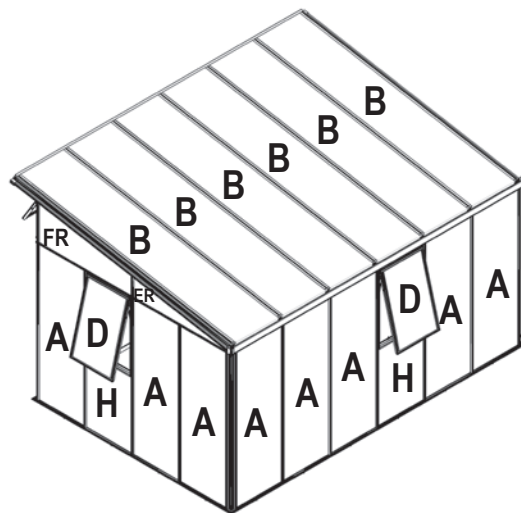
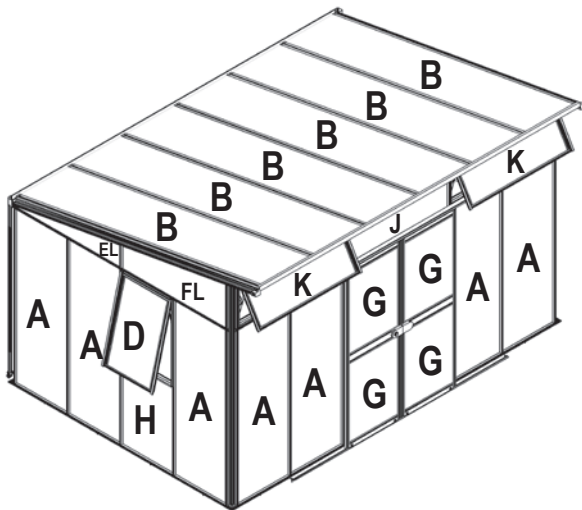
G2	ASP		FPG		PC		QUANTITY / MODEL	
	≤ 4 MM		≤ 4 MM		10 MM		7800	11500
	ART. No.	MM	ART. No.	MM	ART. No.	MM (±3mm)		
7.1								
A	40006173	610 x 1816	-	-	-	-	11x	15x
B	-	-	-	-	40006188	610 x 2926	4x	6x
D	-	-	40000657	555 x 870 x 4	-	-	3x	3x
EL	-	-	-	-	40000895	1239 x 230/11.5	1x	1x
ER					40000897		1x	1x
FL	-	-	-	-	40000899	1239 x 452/233.5	1x	1x
FR					40000900		1x	1x
G1	-	-	367853	619 x 843 x 4	-	-	2x	2x
G2	40006174	619 x 843 x 4	-	-	-	-	2x	2x
H	40006175	610 x 895	-	-	-	-	3x	3x
J	-	-	-	-	40000857	1239 x 475	1x	1x
K	-	-	-	-	40000858	1182 x 411	1x	2x
<b>TOTAL</b>							<b>31x</b>	<b>38x</b>

7

(7800)

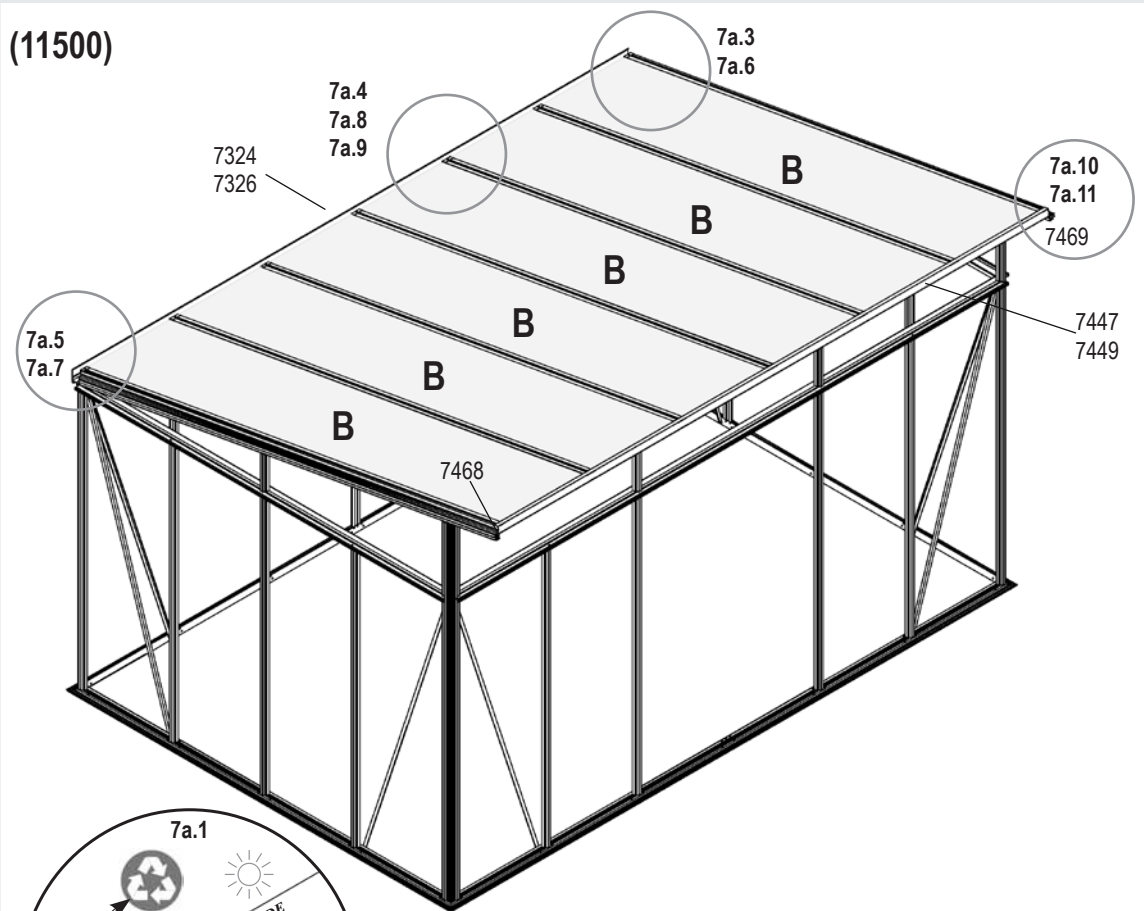
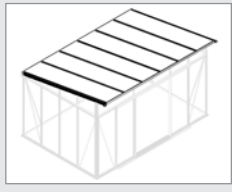


(11500)

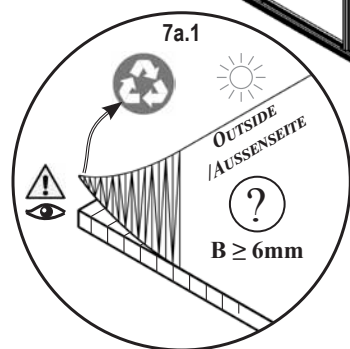


# 7a

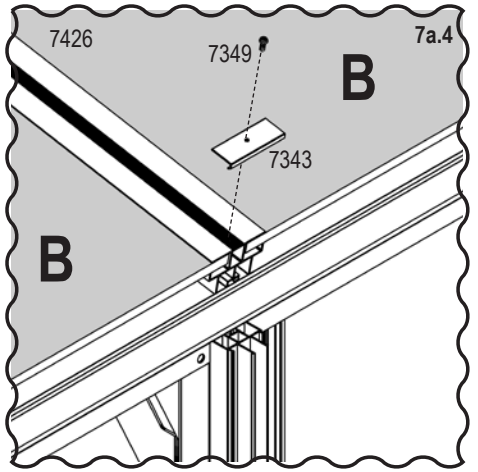
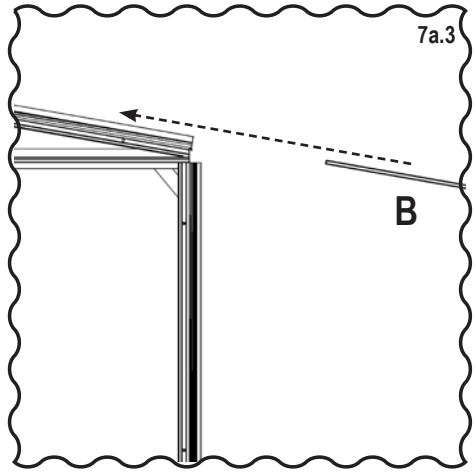
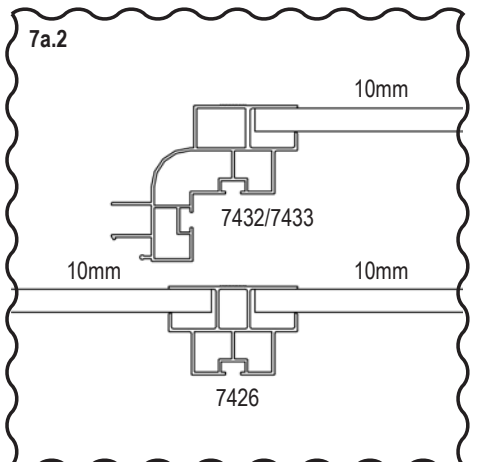
(11500)



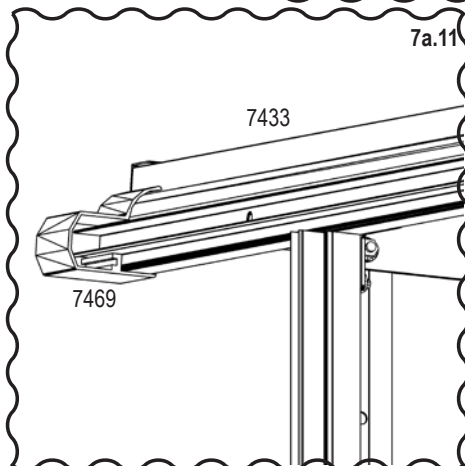
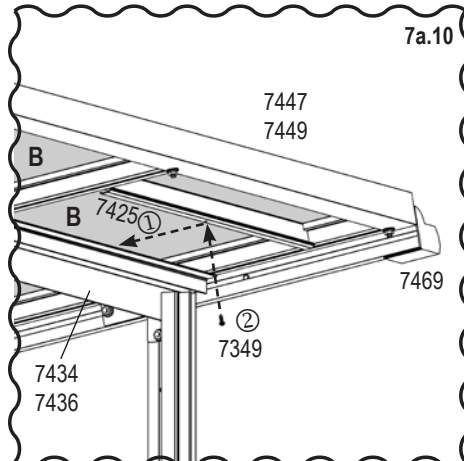
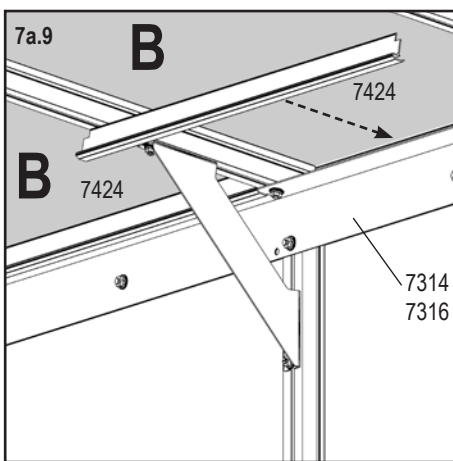
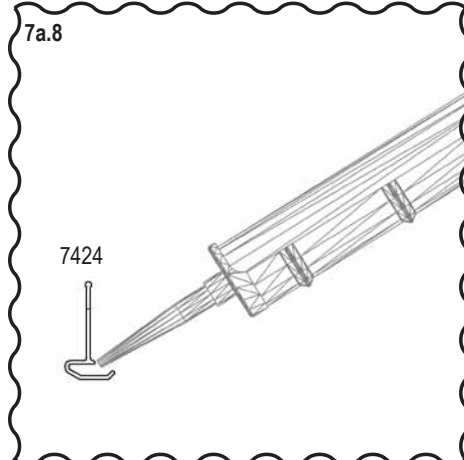
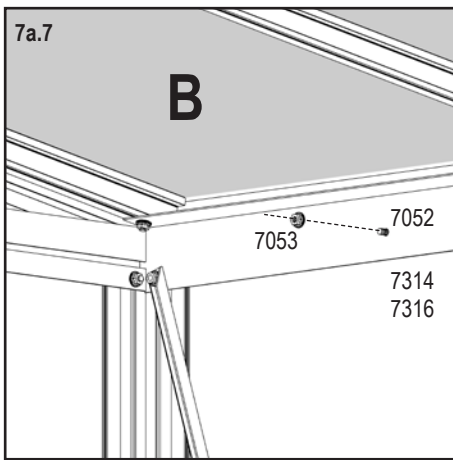
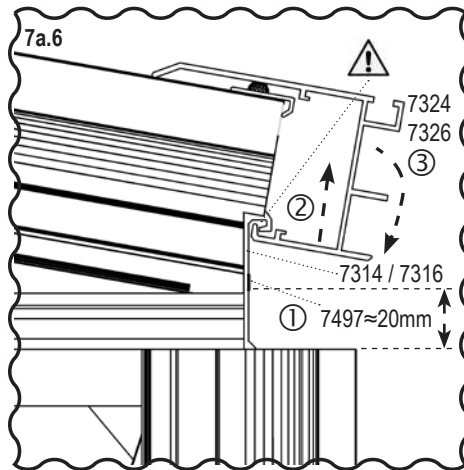
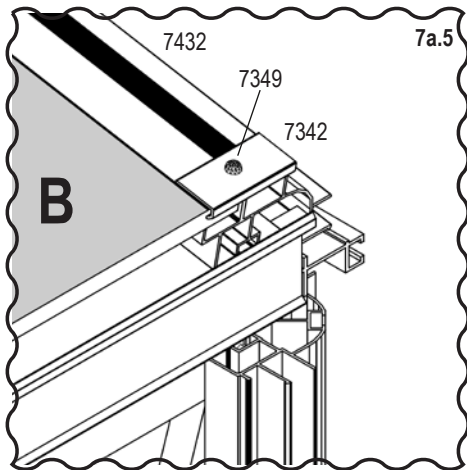
7800	11500
7052	
9x	13x
7053	
9x	13x
7324	7326
1x	1x
7342	
2x	2x
7343	
3x	5x
7349	
9x	13x
7424	
4x	6x
7425	
4x	6x
7447	7449
1x	1x
7468	
1x	1x
7469	
1x	1x
7497	
1x	1x



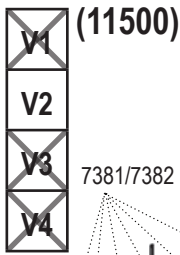
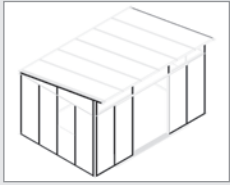
7a.1	PC		QUANTITY / MODEL	
	10 MM		7800	11500
	ART. NO.	MM		
B	40000856	610 x 2928	4x	6x



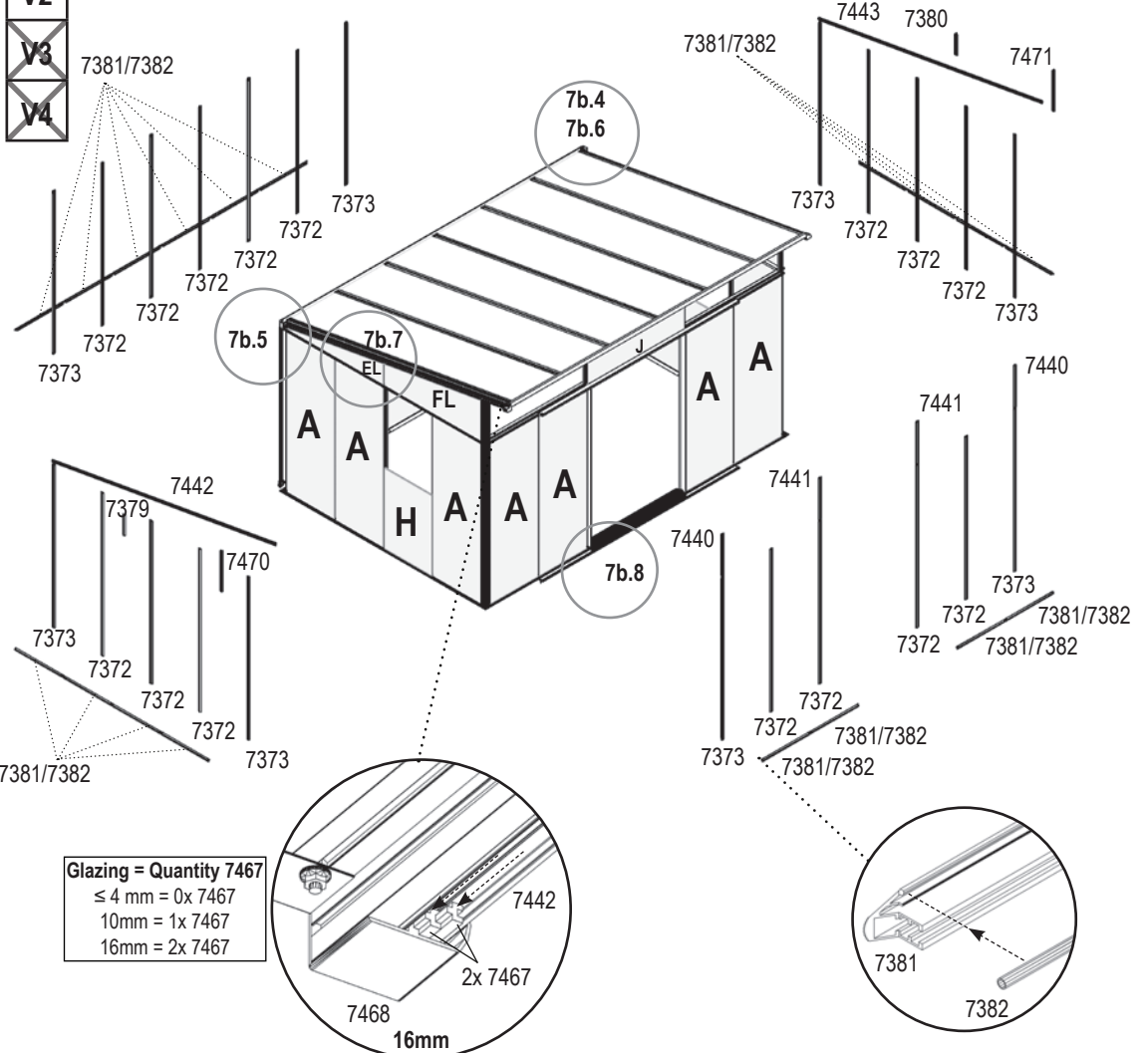
# 7a



# 7b



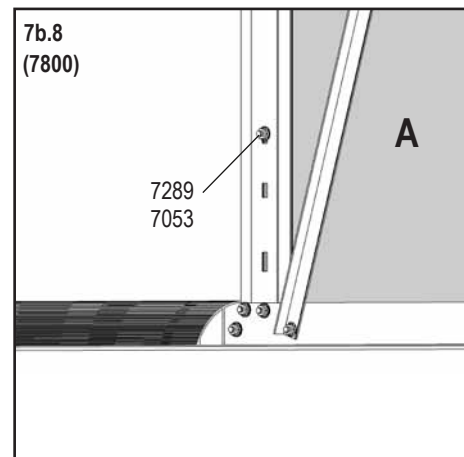
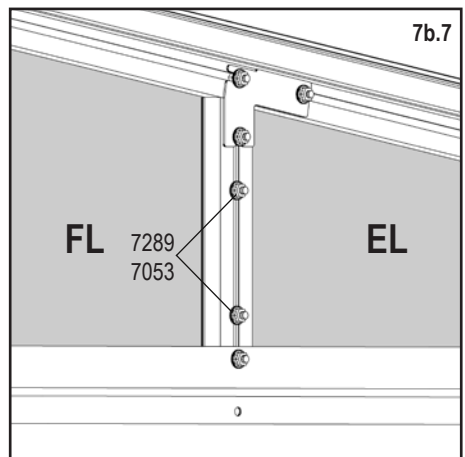
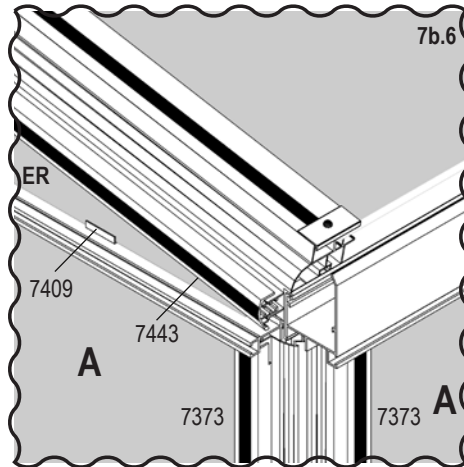
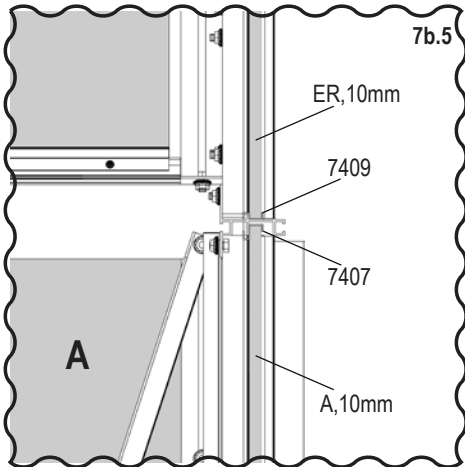
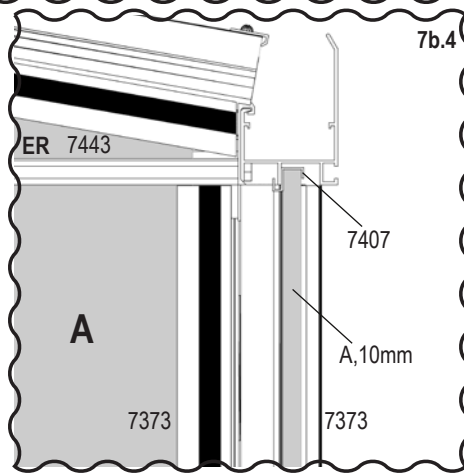
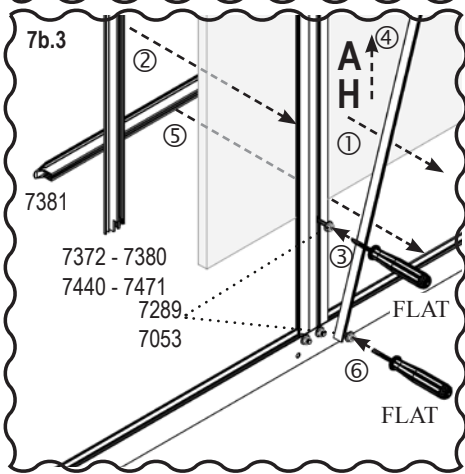
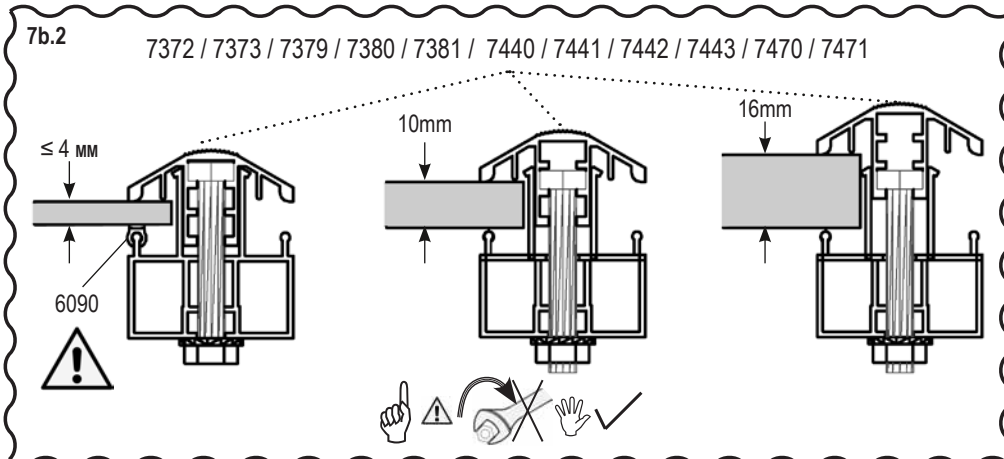
<b>7800</b>	<b>11500</b>
7053	
99x	121x
7289	
99x	121x
7372	
11x	15x
7381	
14x	18x
7382	
14x	18x
7407	
14x	18x
7441	
1x	2x
<b>All Models</b>	
6090	
1x	
7373	
8x	
7379	
1x	
7380	
1x	
7409	
10x	
7440	
2x	
7442	
1x	
7443	
1x	
7467	
4x	
7470	
1x	
7471	
1x	



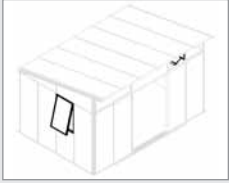
Glazing = Quantity 7467  
 ≤ 4 mm = 0x 7467  
 10mm = 1x 7467  
 16mm = 2x 7467

7b.1	ASP (G2)	FPG		PC				QUANTITY / MODEL	
	≤ 4 mm	≤ 4 mm		10 mm		16 mm		7800	11500
	ART. No.	ART. No.	MM	ART. No.	MM	ART. No.	MM		
A	40006173	367850	610 x 1816	40000893	610 x 1816	40000894	610 x 1816	11x	15x
EL	-	367851	1239 x 230/11.5	40000895	1239 x 230/11.5	40000896	1239 x 230/11.5	1x	1x
ER	-			40000897		40000898		1x	1x
FL	-	367852	1239 x 452/233.5	40000899	1239 x 452/233.5	40000901	1239 x 452/233.5	1x	1x
FR	-			40000900		40000902		1x	1x
H	40006175	40000658	610 x 895	40000696	610 x 895	40000697	610 x 895	3x	3x
J	-	40000854	1239 x 475	40000857	1239 x 475	40000859	1239 x 475	1x	1x

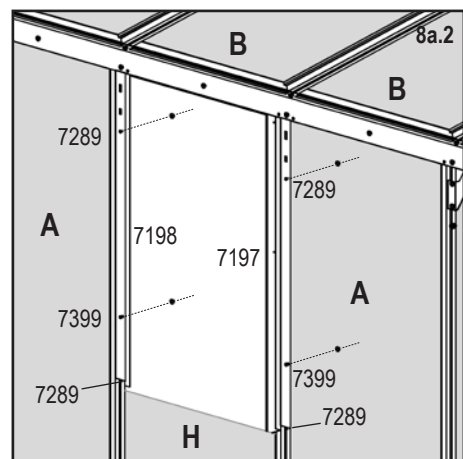
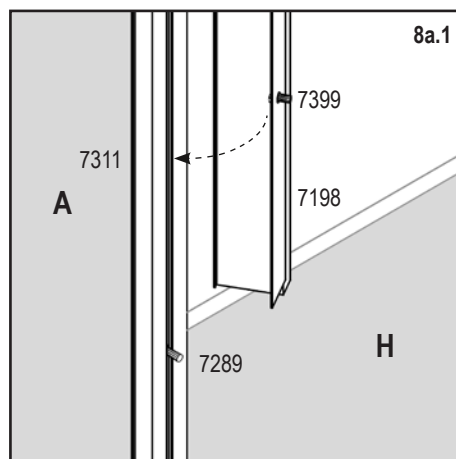
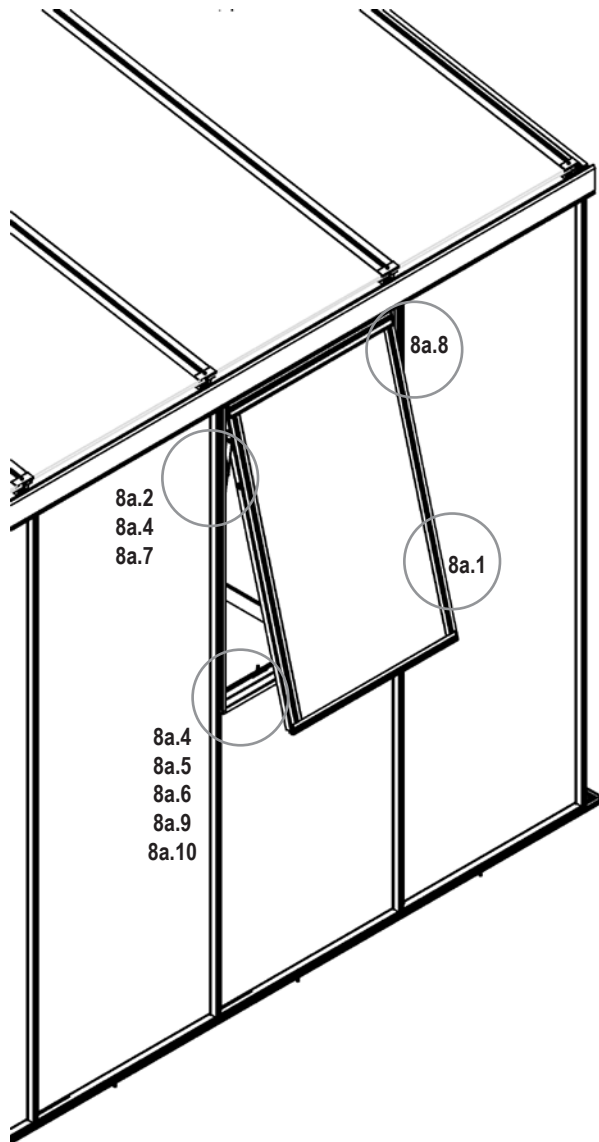
# 7b



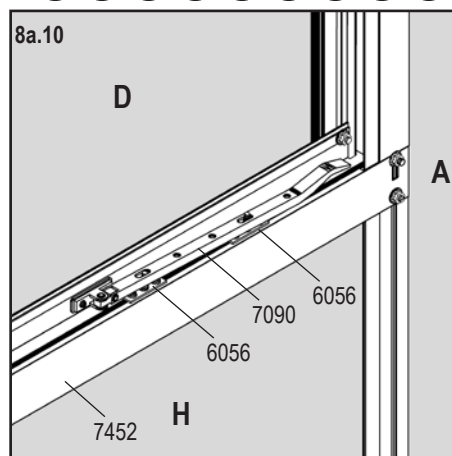
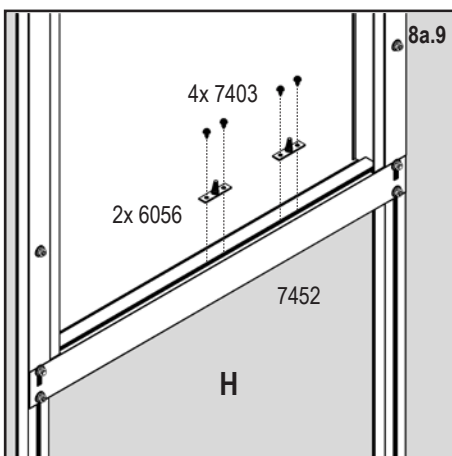
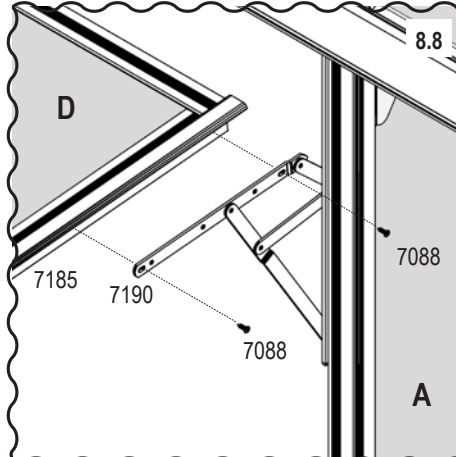
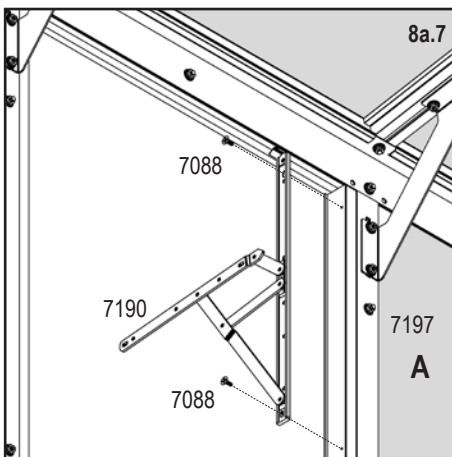
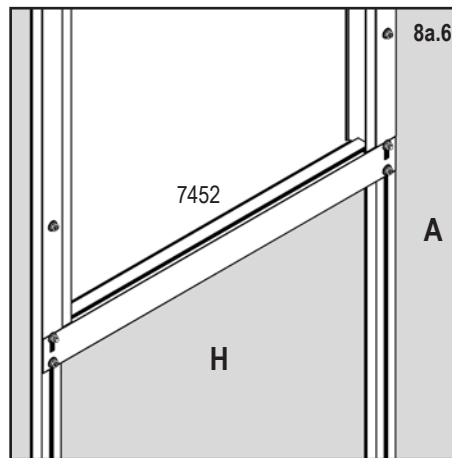
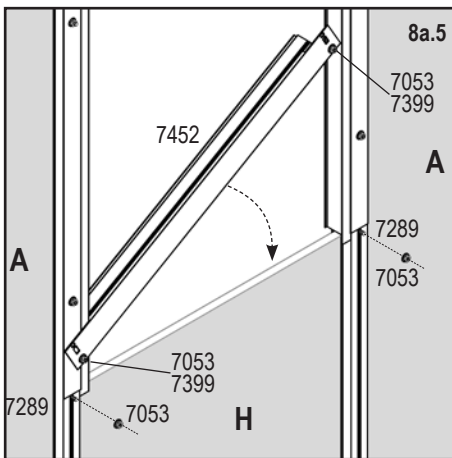
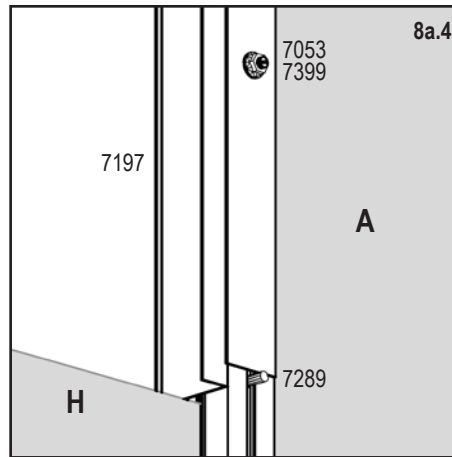
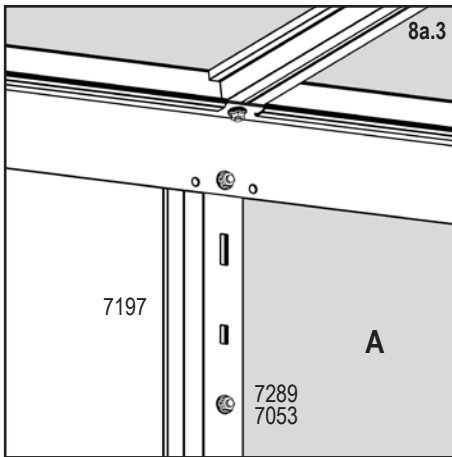
# 8a



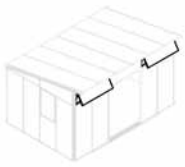
All Models	
6056 2x 3	
7053 4x 3	
7088 10x 3	
7190 2x 3	
7197 1x 3	
7198 1x 3	
7399 4x 3	
7403 4x 3	
7452 1x 3	



# 8a

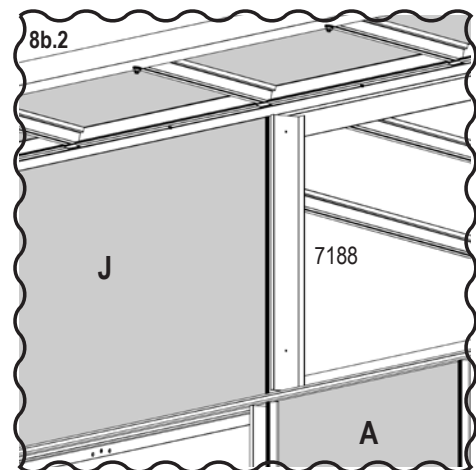
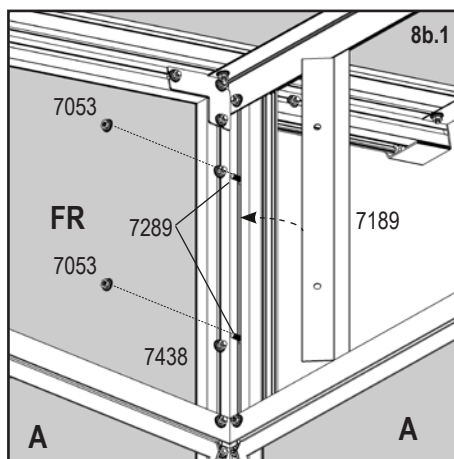
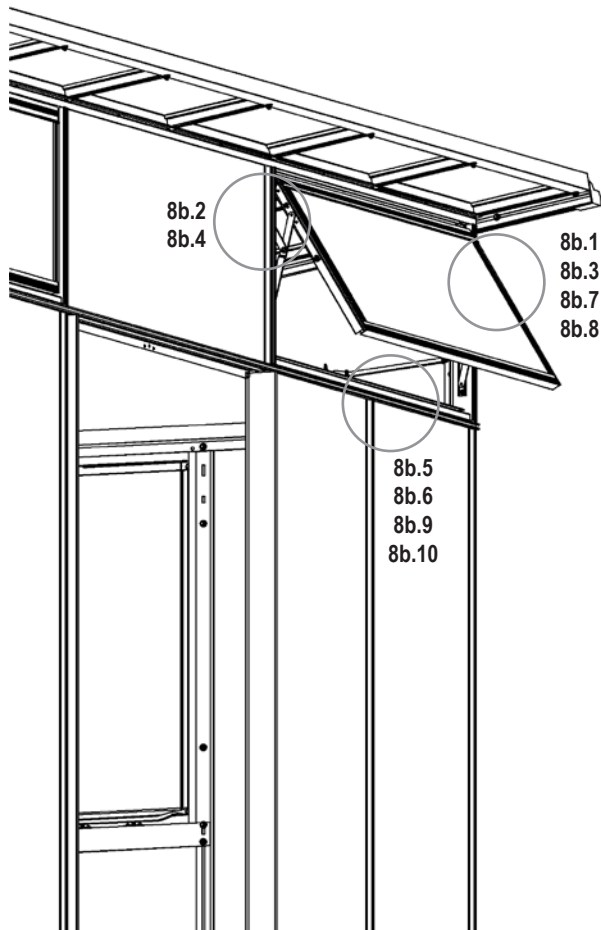


# 8b

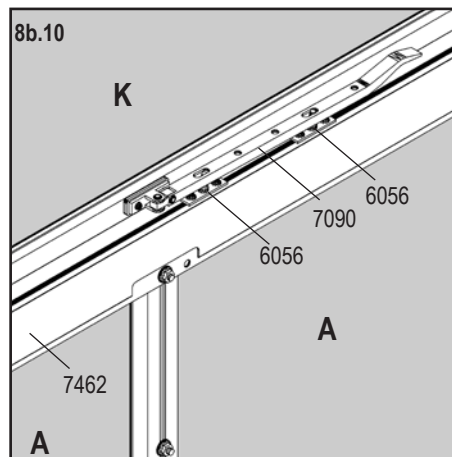
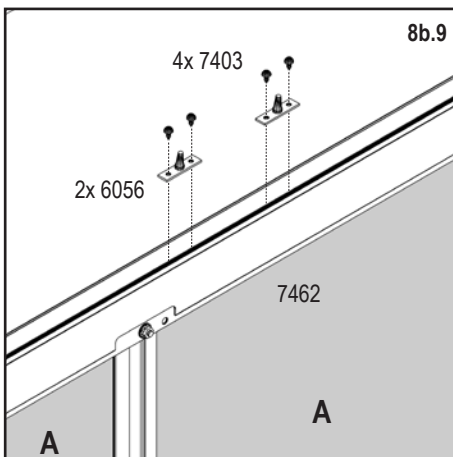
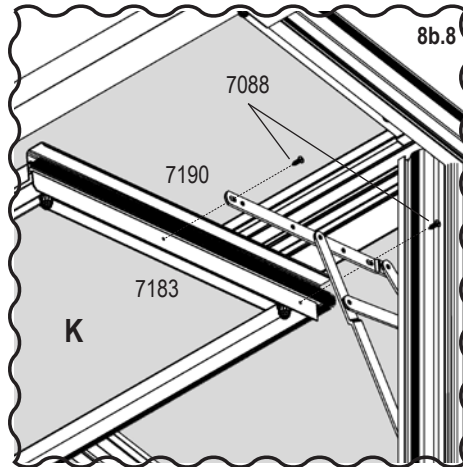
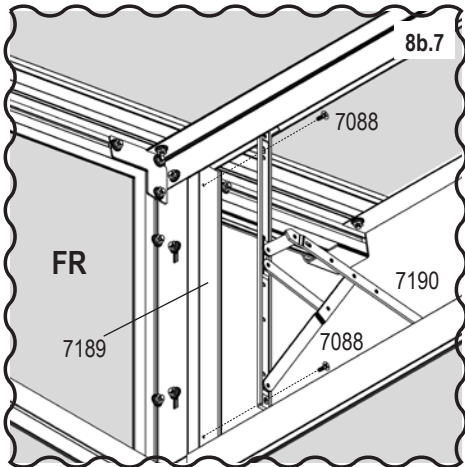
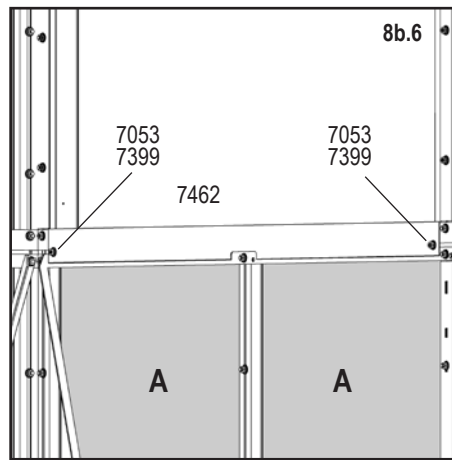
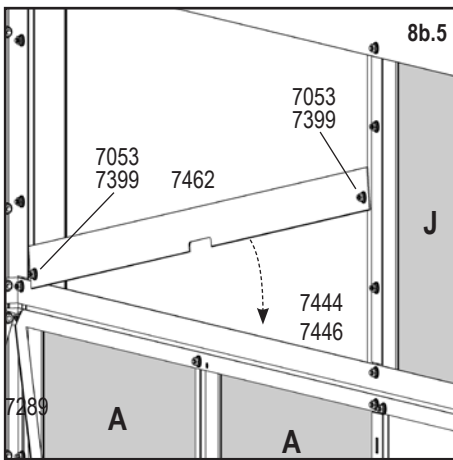
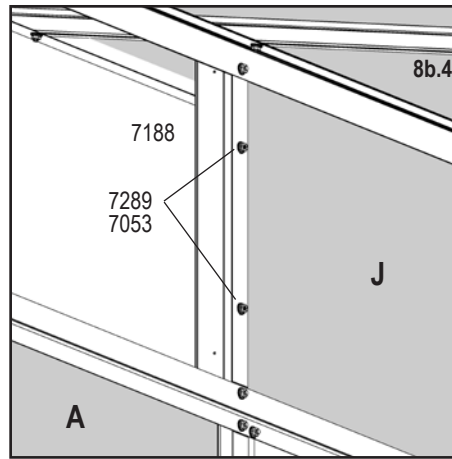
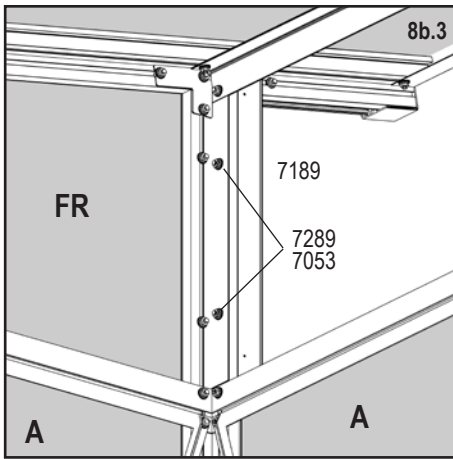


(11500)

7800	11500
1x	2x
6056	
2x 1	2x 2
7053	
2x 1	2x 2
7088	
10x 1	10x 2
7188	
1x 1	1x 2
7189	
1x 1	1x 2
7190	
2x 1	2x 2
7399	
2x 1	2x 2
7403	
4x 1	4x 2
7462	
1x 1	1x 2

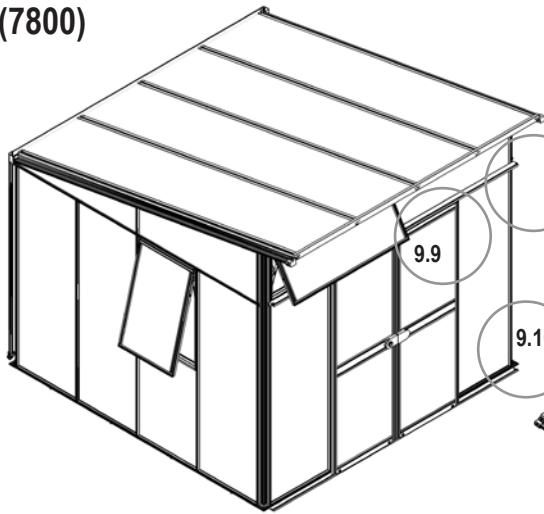


# 8b





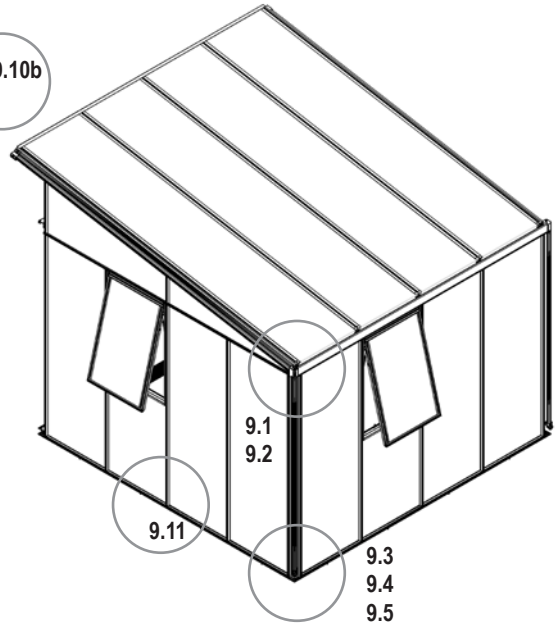
(7800)



9.7  
9.8  
9.10a

9.9

9.10b



9.1  
9.2

9.11

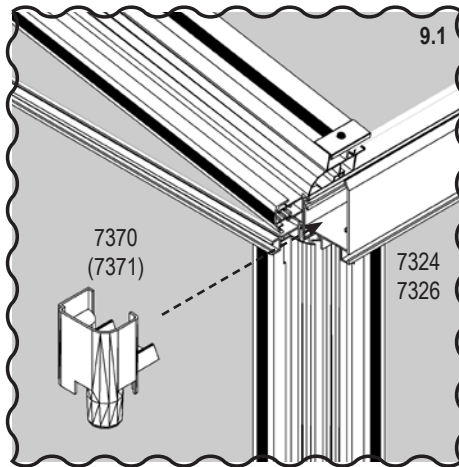
9.3

9.4

9.5

9.6

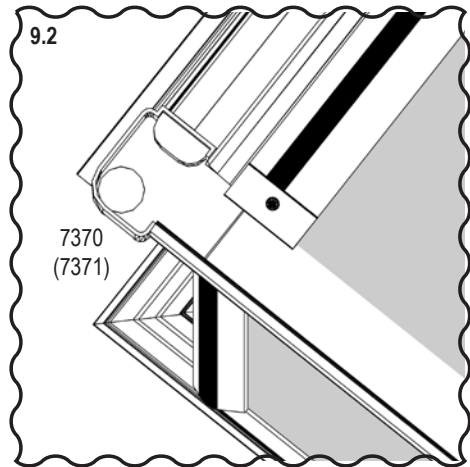
7800	11500
6070	
240x	290x
<b>All Models</b>	
1002 2x	
1006 2x	
1402 2x	
1403 2x	
1405 2x	
1409 2x	
1412 2x	
1415 2x	
3002 2x	
7052 6x	
7053 4x	
7359 1x	
7370 1x	
7371 1x	



9.1

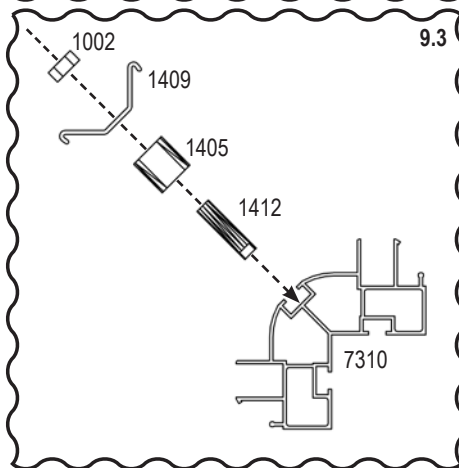
7370  
(7371)

7324  
7326



9.2

7370  
(7371)



9.3

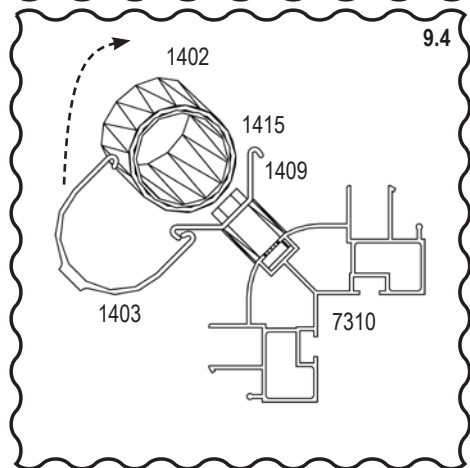
1002

1409

1405

1412

7310



9.4

1402

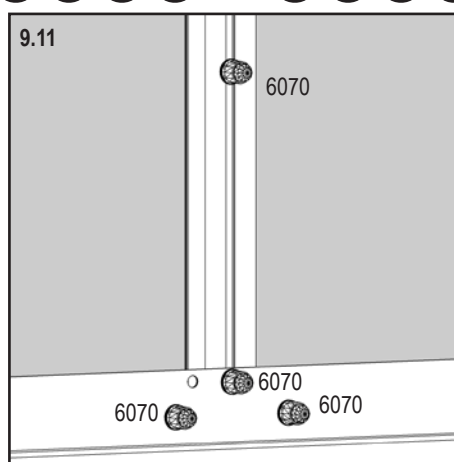
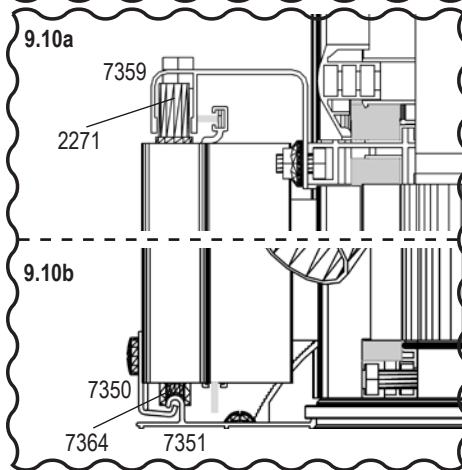
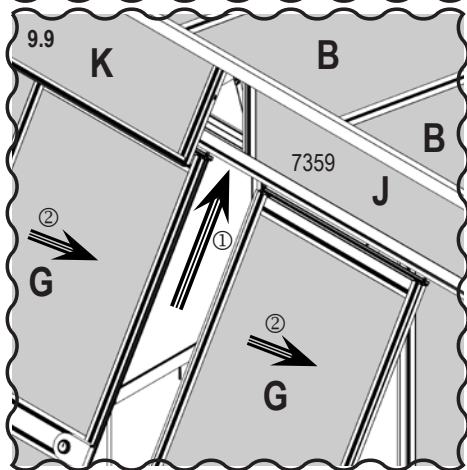
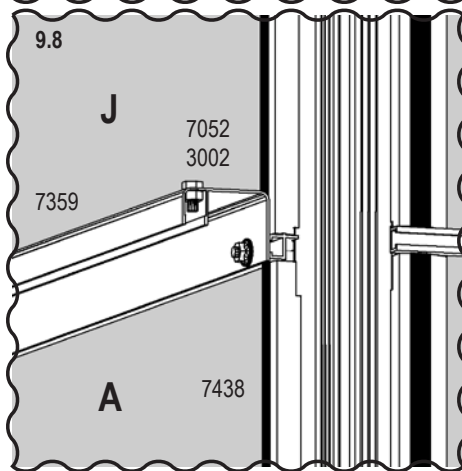
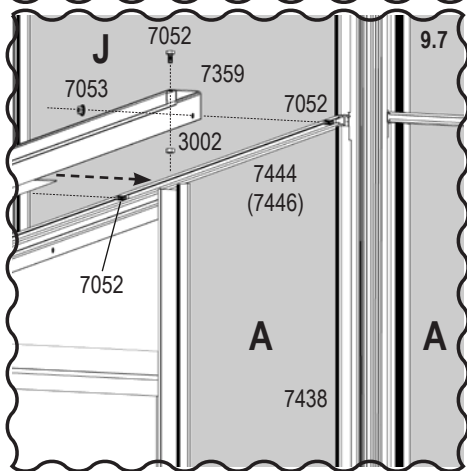
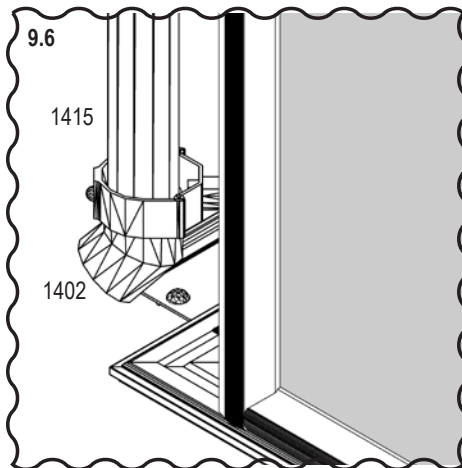
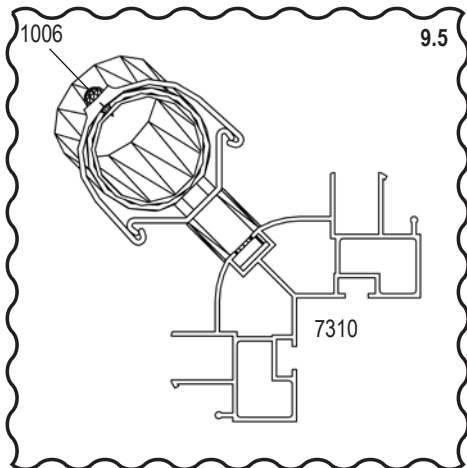
1415

1409

1403

7310

# 9









E.P.H. Schmidt & Co. GmbH  
Hoefkerstrasse 30  
44149 Dortmund  
Postfach 170163  
44060 Dortmund  
Deutschland  
Tel.: +49 231 941655 0  
Fax: +49 231 941655 99  
[www.eph-schmidt.de](http://www.eph-schmidt.de)  
[verkauf@eph-schmidt.de](mailto:verkauf@eph-schmidt.de)

OPJ A/S  
Volderslevvej 36 A  
5260 Odense S  
Danmark  
Tel.: +45 66 15 10 30  
Fax: +45 66 15 00 84  
[www.opj.dk](http://www.opj.dk)  
[opj@opj.dk](mailto:opj@opj.dk)